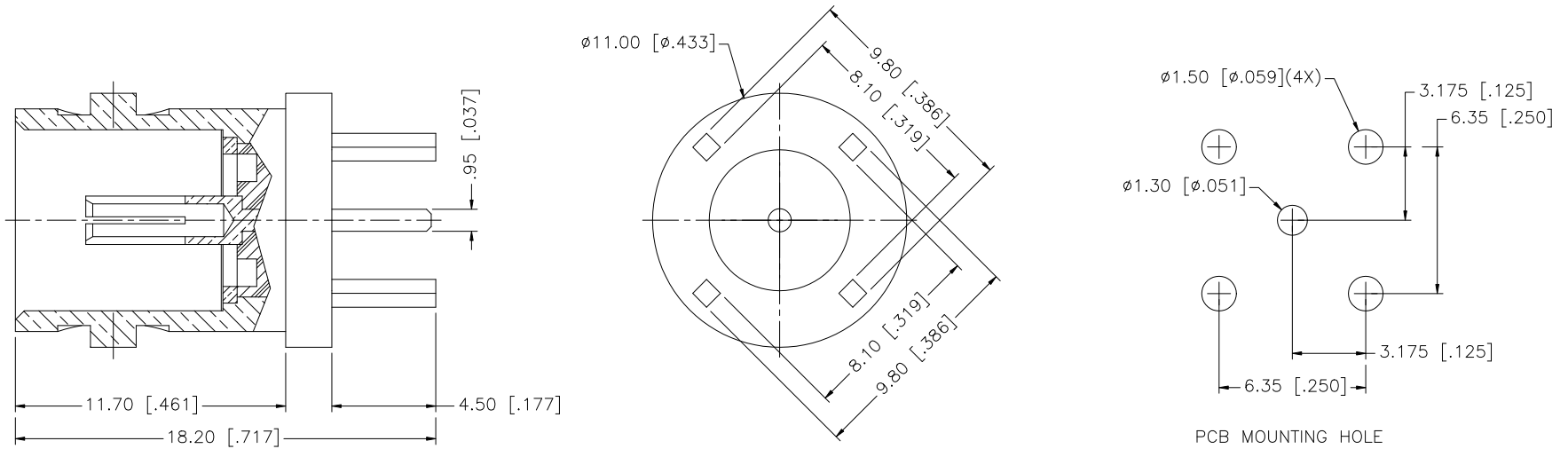


REV.	DATE	ECR NO.	DESCRIPTION
A	04/05/03	-	UPDATE DRAWING FORMAT
B	06/12/08	100030	ADD BODY CROSS SECTION



8					UNLESS OTHERWISE SPECIFIED DIMENSIONS ARE IN MILLIMETERS. DIMENSIONS IN [] ARE IN INCHES AND FOR CUSTOMER REFERENCE ONLY. UNLESS OTHERWISE SPECIFIED TOLERANCES FOR MILLIMETERS ARE: 0.5 - 8mm \pm 0.20mm 8 - 30mm \pm 0.40mm 30 - 120mm \pm 0.50mm UNLESS OTHERWISE SPECIFIED TOLERANCES FOR INCHES ARE: .020 - .315 = \pm 0.007" .315 - 1.180 = \pm 0.015" 1.180 - 4.724 = \pm 0.020"	APPROVALS	DATE	<h1 style="color: blue;">Amphenol Connex</h1>			
7				DRAWN		GRS	06/12/08				
6				CHECKED				PART DESCRIPTION BNC STRAIGHT P.C.B. RECEPT. JACK (4 POST - 75 ohm)			
5				ISSUED							
4	LOCK RING	BRASS	NICKEL	1		SHEET	1 OF 1	PART NO. 112405			
3	CONTACT PIN	PHOS. BRONZE	GOLD	1	CAD FILE	C:/112/112405.DWG	DWG. NO. 112405.DWG REV. B SIZE A SCALE NA				
2	INSULATOR	PTFE	NATURAL	1	DESCRIPTION MATERIAL FINISH QTY DO NOT SCALE DRAWING						
1	BODY	BRASS	NICKEL	1							