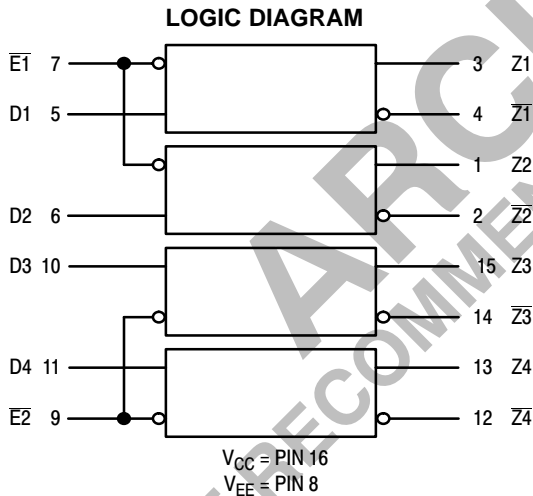


MC10192

Quad Bus Driver

The MC10192 contains four line drivers with complementary outputs. Each driver has a Data (D) input and shares an Enable (\bar{E}) input with another driver. The two driver outputs are the uncommitted collectors of a pair of NPN transistors operating as a current switch. Each driver accepts 10K MECL input signals and provides a nominal signal swing of 800 mV across a 50 Ω load at each output collector. Outputs can drive higher values of load resistance, provided that the combination of I_R drop and load return voltage V_{LR} does not cause an output collector to go more negative than -2.4 V with respect to V_{CC} . To avoid output transistor breakdown, the load return voltage should not be more positive than +5.5 V with respect to V_{CC} . When the \bar{E} input is high, both output transistors of a driver are nonconducting. When not used, the \bar{E} inputs, as well as the D inputs, may be left open.

- Open Collector Outputs Drive Terminated Lines or Transformers
- 50 kW Input Pulldown Resistors on All Inputs (Unused Inputs May Be Left Open)
- Power Dissipation = 575 mW typ/pkg (No Load)
- Propagation Delay = 3.5 ns typ (\bar{E} — Output)
3.0 ns typ (D — Output)



TRUTH TABLE

Inputs		Output	
\bar{E}	D	Z	\bar{Z}
H	X	H	H
L	H	H	L
L	L	L	H

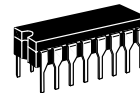
Note: Unused outputs must be terminated to V_{CC} for proper operation.



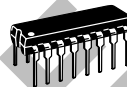
ON Semiconductor

<http://onsemi.com>

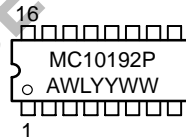
MARKING DIAGRAMS



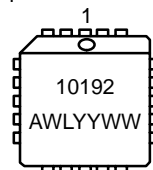
CDIP-16
L SUFFIX
CASE 620



PDIP-16
P SUFFIX
CASE 648

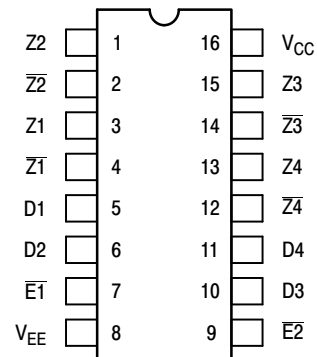


PLCC-20
FN SUFFIX
CASE 775



A = Assembly Location
WL = Wafer Lot
YY = Year
WW = Work Week

DIP PIN ASSIGNMENT



Pin assignment is for Dual-in-Line Package. For PLCC pin assignment, see the Pin Conversion Tables on page 18 of the ON Semiconductor MECL Data Book (DL122/D).

ORDERING INFORMATION

Device	Package	Shipping
MC10192L	CDIP-16	25 Units / Rail
MC10192P	PDIP-16	25 Units / Rail
MC10192FN	PLCC-20	46 Units / Rail

MC10192

ELECTRICAL CHARACTERISTICS

Characteristic	Symbol	Pin Under Test	Test Limits						Unit
			-30°C		+25°C		+85°C		
			Min	Max	Min	Max	Min	Max	
Power Supply Drain Current	I_E	8		154		140		154	mAdc
Input Current	I_{inH}	5		350		220		220	μ Adc
	I_{inL}	5	0.5		0.5		0.3		μ Adc
Output Current High	Logic 1 I_{OH}	2				2.0			mAdc
Output Current Low	Logic 0 I_{OL}	2	13.5	18.0	14.0	18.0	14.0	19.0	mAdc
Threshold Current High	Logic 1 I_{OHC}	2		2.0		2.0		2.0	mAdc
Threshold Current Low	Logic 0 I_{OLC}	2	13.5		14.0		14.0		mAdc
Output Sink Current Low	Logic 0 I_{OS}	2	13.3		13.9		13.3		mAdc
Load Return Voltage Absolute Max Rating (Note 1.)	V_{LR}			5.5		5.5		5.5	V
Output Voltage Low (Note 2.)	V_{OLS}				-2.4				V
Switching Times (50 Ω Load)									ns
Propagation Delay \bar{E} to Output	t_{PHL}				2.0	6.0			
Propagation Delay D to Output	t_{PLH}				1.5	4.5			
Rise/Fall Time (20 to 80%)	t_{TLH} t_{THL}					3.3			

1. The 5.5V value is a maximum rating, do not exceed. A 270 Ω resistor will prevent output transistor breakdown.
2. Limitations of load resistor and load return voltage combinations. Refer to page 1 description.

ELECTRICAL CHARACTERISTICS (continued)

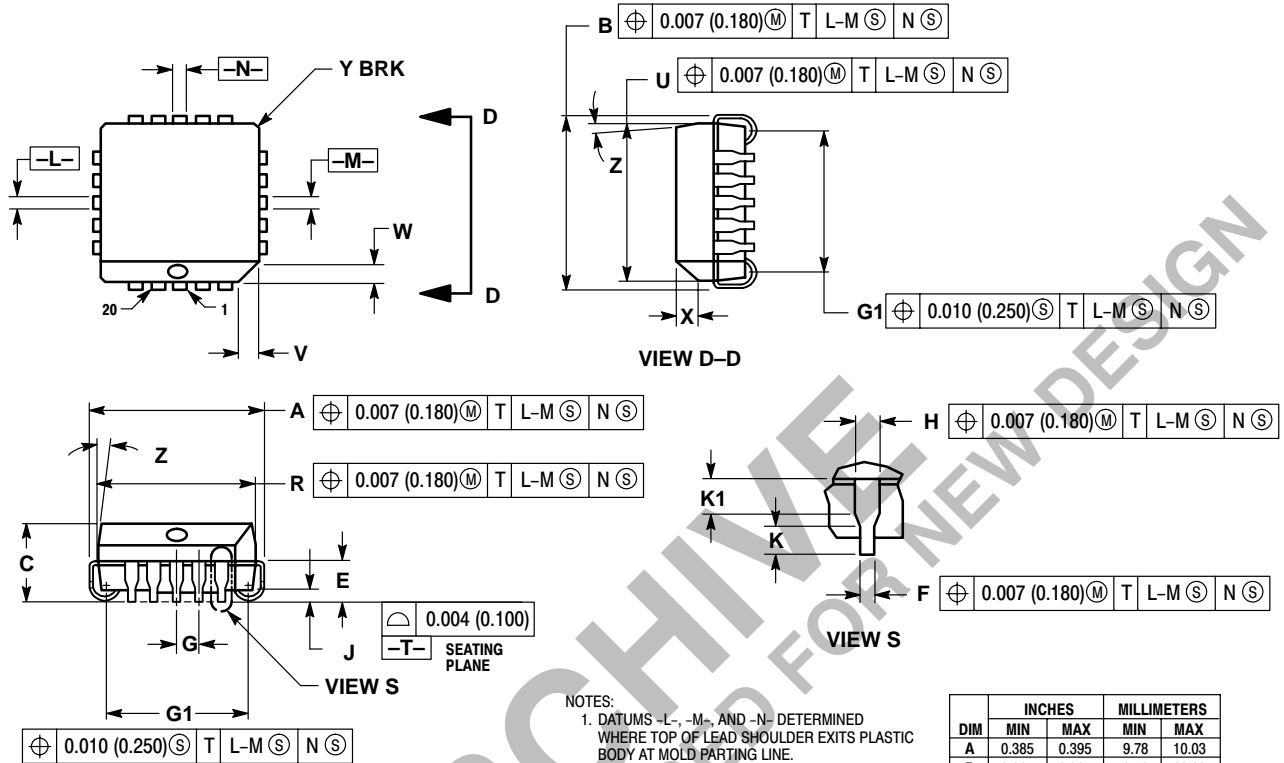
Characteristic	Symbol	Pin Under Test	TEST VOLTAGE VALUES (Volts)					(V _{CC}) Gnd	
			@ Test Temperature						
			V _{IHmax}	V _{ILmin}	V _{IHAmin}	V _{ILAmx}	V _{EE}		
			-30°C	-0.890	-1.890	-1.205	-1.500		-5.2
			+25°C	-0.810	-1.850	-1.105	-1.475		-5.2
+85°C	-0.700	-1.825	-1.035	-1.440	-5.2				
			TEST VOLTAGE APPLIED TO PINS LISTED BELOW						
			V _{IHmax}	V _{ILmin}	V _{IHAmin}	V _{ILAmx}	V _{EE}		
Power Supply Drain Current	I_E	8					8	16	
Input Current	I_{inH}	5	5				8	16	
	I_{inL}	5		5			8	16	
Output Current High	Logic 1 I_{OH}	2		5,6,10,11			8	16	
Output Current Low	Logic 0 I_{OL}	2	5,6,10,11				8	16	
Threshold Current High	Logic 1 I_{OHC}	2		5,7,9,10,11		6	8	16	
Threshold Current Low	Logic 0 I_{OLC}		5,10,11	7,9	6		8	16	
Output Sink Current Low	Logic 0 I_{OS}	2	5,6,10,11				8	16	
Load Return Voltage Absolute Max Rating (Note 1.)	V_{LR}						8	16	
Output Voltage Low (Note 2.)	V_{OLS}						8	16	

Each MECL 10,000 series circuit has been designed to meet the dc specifications shown in the test table, after thermal equilibrium has been established. The circuit is in a test socket or mounted on a printed circuit board and transverse air flow greater than 500 linear fpm is maintained. Outputs are terminated through a 50-ohm resistor to -2.0 volts. Test procedures are shown for only one gate. The other gates are tested in the same manner.

MC10192

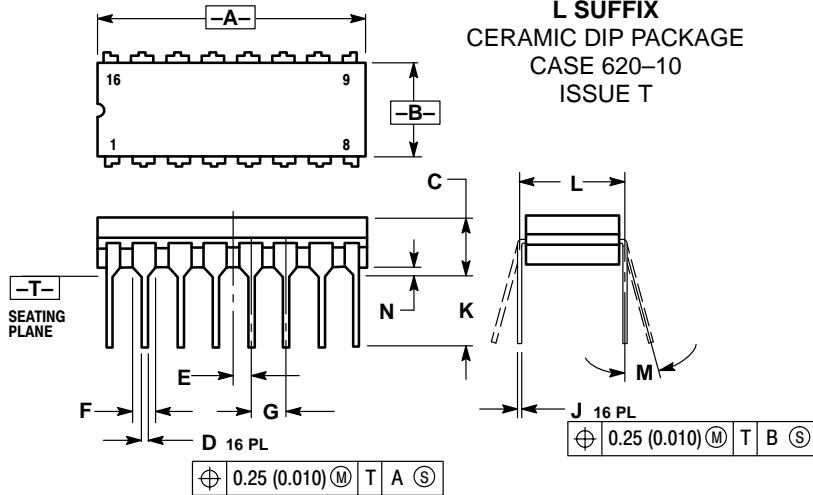
PACKAGE DIMENSIONS

PLCC-20
FN SUFFIX
PLASTIC PLCC PACKAGE
CASE 775-02
ISSUE C



MC10192

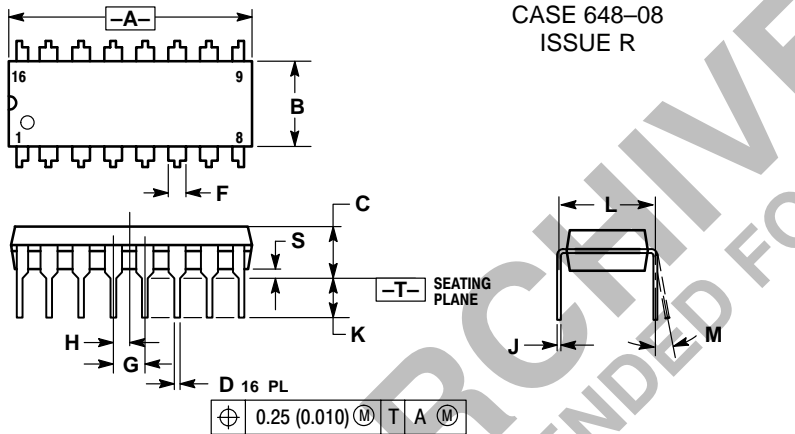
CDIP-16 L SUFFIX CERAMIC DIP PACKAGE CASE 620-10 ISSUE T



- NOTES:
1. DIMENSIONING AND TOLERANCING PER ANSI Y14.5M, 1982.
 2. CONTROLLING DIMENSION: INCH.
 3. DIMENSION L TO CENTER OF LEAD WHEN FORMED PARALLEL.
 4. DIMENSION F MAY NARROW TO 0.76 (0.030) WHERE THE LEAD ENTERS THE CERAMIC BODY.

DIM	INCHES		MILLIMETERS	
	MIN	MAX	MIN	MAX
A	0.750	0.785	19.05	19.93
B	0.240	0.295	6.10	7.49
C	---	0.200	---	5.08
D	0.015	0.020	0.39	0.50
E	0.050 BSC		1.27 BSC	
F	0.055	0.065	1.40	1.65
G	0.100 BSC		2.54 BSC	
H	0.008	0.015	0.21	0.38
K	0.125	0.170	3.18	4.31
L	0.300 BSC		7.62 BSC	
M	0°	15°	0°	15°
N	0.020	0.040	0.51	1.01

PDIP-16 P SUFFIX PLASTIC DIP PACKAGE CASE 648-08 ISSUE R



- NOTES:
1. DIMENSIONING AND TOLERANCING PER ANSI Y14.5M, 1982.
 2. CONTROLLING DIMENSION: INCH.
 3. DIMENSION L TO CENTER OF LEADS WHEN FORMED PARALLEL.
 4. DIMENSION B DOES NOT INCLUDE MOLD FLASH.
 5. ROUNDED CORNERS OPTIONAL.

DIM	INCHES		MILLIMETERS	
	MIN	MAX	MIN	MAX
A	0.740	0.770	18.80	19.55
B	0.250	0.270	6.35	6.85
C	0.145	0.175	3.69	4.44
D	0.015	0.021	0.39	0.53
F	0.040	0.70	1.02	1.77
G	0.100 BSC		2.54 BSC	
H	0.050 BSC		1.27 BSC	
J	0.008	0.015	0.21	0.38
K	0.110	0.130	2.80	3.30
L	0.295	0.305	7.50	7.74
M	0°	10°	0°	10°
S	0.020	0.040	0.51	1.01

ON Semiconductor and are trademarks of Semiconductor Components Industries, LLC (SCILLC). SCILLC reserves the right to make changes without further notice to any products herein. SCILLC makes no warranty, representation or guarantee regarding the suitability of its products for any particular purpose, nor does SCILLC assume any liability arising out of the application or use of any product or circuit, and specifically disclaims any and all liability, including without limitation special, consequential or incidental damages. "Typical" parameters which may be provided in SCILLC data sheets and/or specifications can and do vary in different applications and actual performance may vary over time. All operating parameters, including "Typicals" must be validated for each customer application by customer's technical experts. SCILLC does not convey any license under its patent rights nor the rights of others. SCILLC products are not designed, intended, or authorized for use as components in systems intended for surgical implant into the body, or other applications intended to support or sustain life, or for any other application in which the failure of the SCILLC product could create a situation where personal injury or death may occur. Should Buyer purchase or use SCILLC products for any such unintended or unauthorized application, Buyer shall indemnify and hold SCILLC and its officers, employees, subsidiaries, affiliates, and distributors harmless against all claims, costs, damages, and expenses, and reasonable attorney fees arising out of, directly or indirectly, any claim of personal injury or death associated with such unintended or unauthorized use, even if such claim alleges that SCILLC was negligent regarding the design or manufacture of the part. SCILLC is an Equal Opportunity/Affirmative Action Employer.

PUBLICATION ORDERING INFORMATION

Literature Fulfillment:

Literature Distribution Center for ON Semiconductor
P.O. Box 5163, Denver, Colorado 80217 USA
Phone: 303-675-2175 or 800-344-3860 Toll Free USA/Canada
Fax: 303-675-2176 or 800-344-3867 Toll Free USA/Canada
Email: ONlit@hibbertco.com

N. American Technical Support: 800-282-9855 Toll Free USA/Canada

JAPAN: ON Semiconductor, Japan Customer Focus Center
4-32-1 Nishi-Gotanda, Shinagawa-ku, Tokyo, Japan 141-0031
Phone: 81-3-5740-2700
Email: r14525@onsemi.com

ON Semiconductor Website: <http://onsemi.com>

For additional information, please contact your local Sales Representative.