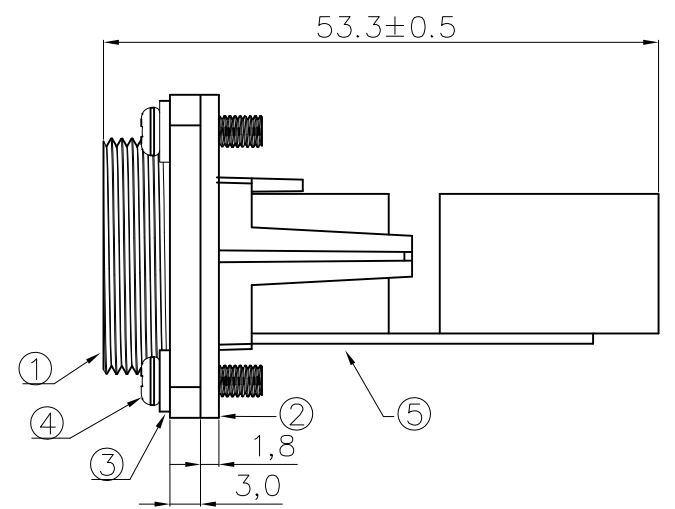
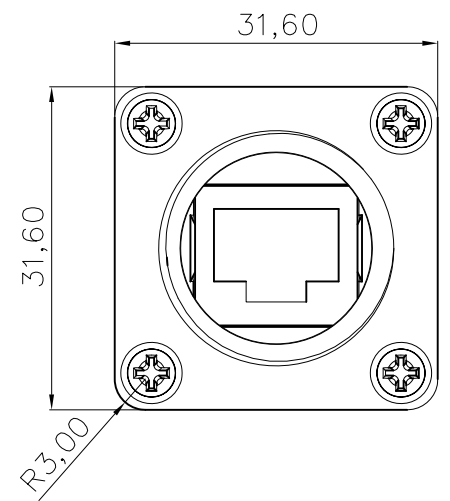
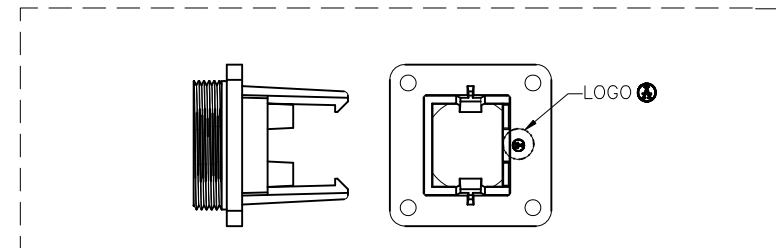
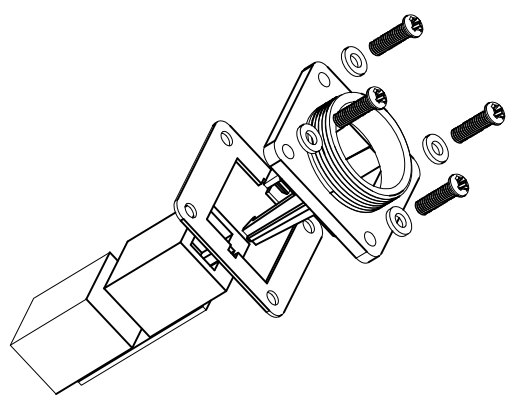


Recommended Panel Cut-Out



NOTES:

Waterproof Rate: IP67
 Connector: Black, ABS
 Set ② ③ ④ in one 1#Zipper Bag



RoHS compliant

Scale	Free						Date	Name	Customer-No.
TOLERANCE						Drawn	27.09.2007	N.Schulz	
.X	±0.25					Approved	06.07.2009	Hellwig	ASSMANN WSW-No.
.XX	±0.1								A-RJ45GFS
.XXX	±0.05								Drawing-No.
Angle	±1°	③	Update	06.07.2009	Dean			ASS 2350 CO	rev02
		①	Drawn	27.09.2007	N.Schulz			Replace	Sheet
		Id.	Modification	Date	Name				