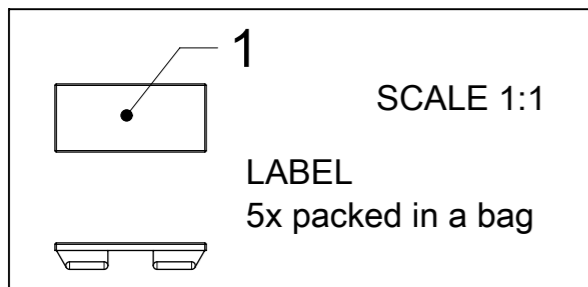


**TABLE 1**

MOLEX P/N	ENG. NO.	CABLE LENGTH (mm)	LED
1202510046	BKB4050-FBW-05	5000	NO
1202510047	BKB4050-FBW-10	10000	NO
1202510048	BKB4050-FBW-15	15000	NO
1202510049	BKB405P-FBW-05	5000	YES
1202510050	BKB405P-FBW-10	10000	YES
1202510051	BKB405P-FBW-15	15000	YES
1202510052	BKB405N-FBW-05	5000	YES
1202510053	BKB405N-FBW-10	10000	YES
1202510054	BKB405N-FBW-15	15000	YES

**TABLE 2 BILL OF MATERIAL**

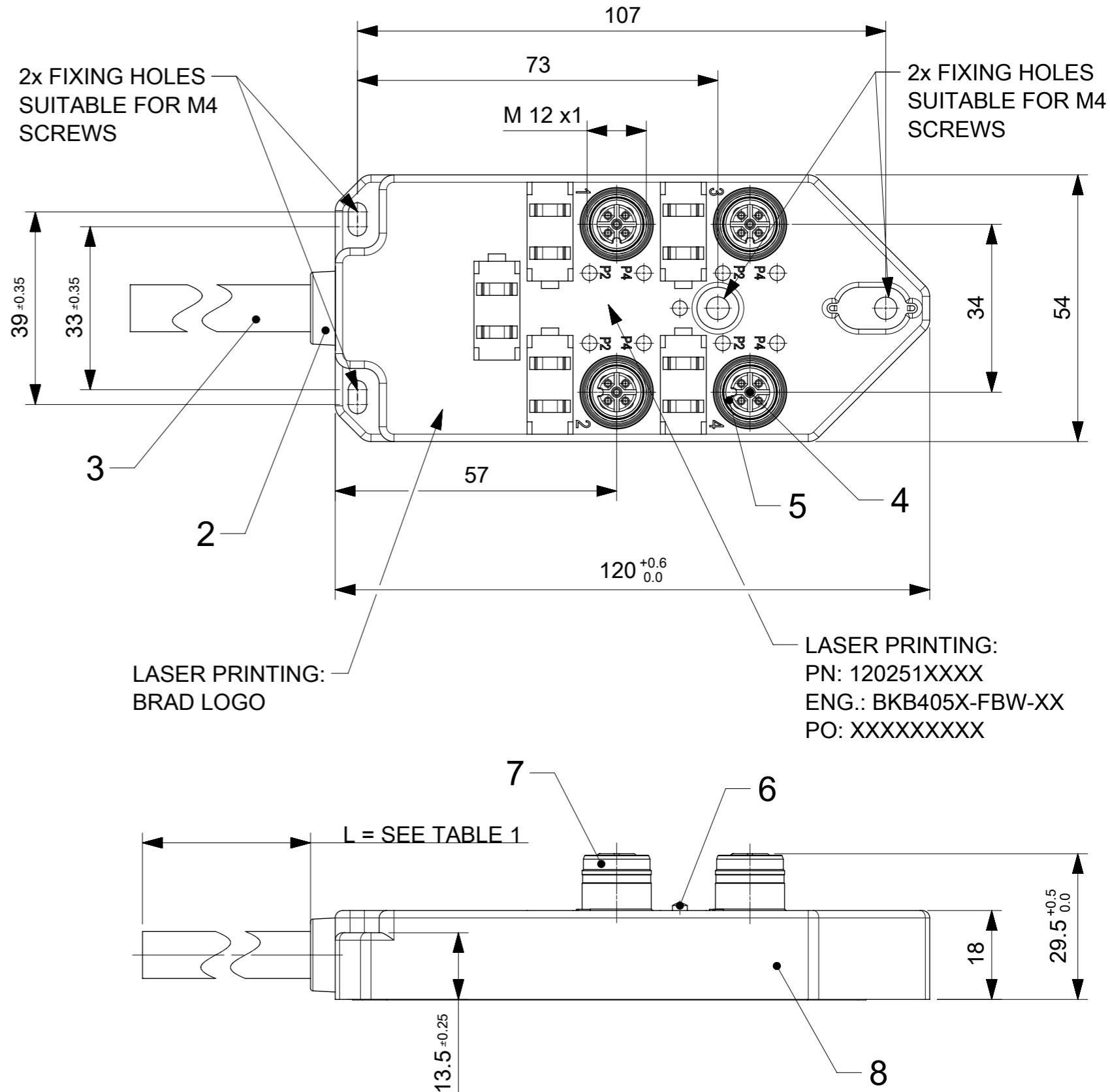
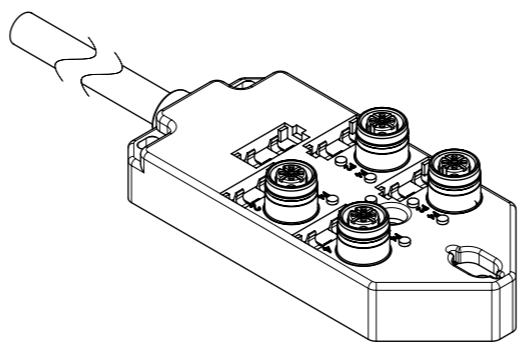
ITEM	DESCRIPTION	MATERIAL	FINISH
1	LABEL	ABS	WHITE
2	CABLE PLATE	PBT	BLACK
3	CABLE	TPU BASED	BLACK
4	CONTACT	BRONZE	GOLD OVER NICKEL
5	O-RING	FPM	RED
6	LED	NO LED = PA WITH LED = PA	BLACK TRANSPARENT
7	SHELL	BRASS	NICKEL PLATED
8	HOUSING	PBT	BLACK



**GENERAL CHARACTERISTICS:**

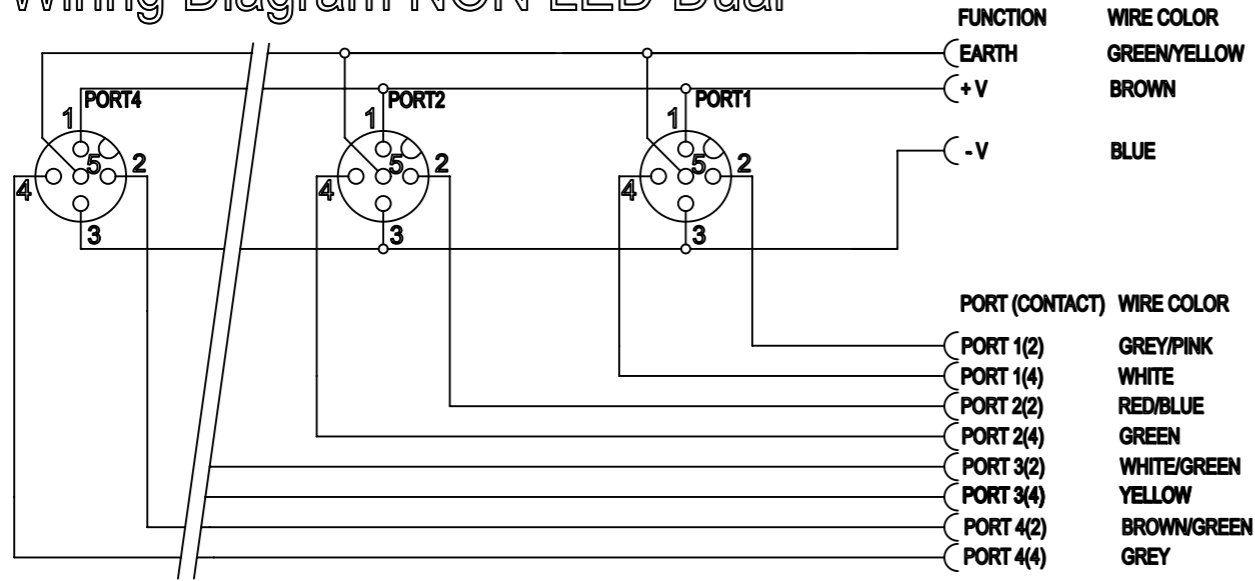
ELECTRICAL AND MECHANICAL DATA ACC. TO IEC 61076-2-101

NOMINAL VOLTAGE: 10-30 V DC  
 AMPERE RATING: 4 A PER PORT / 12 A MAX  
 AMPERE RATING WITH UL REGISTRATION: 3 A PER PORT / 9 A MAX  
 IP DEGREE OF PROTECTION: IP 67  
 TEMPERATURE RANGE: -25°C to + 85°C

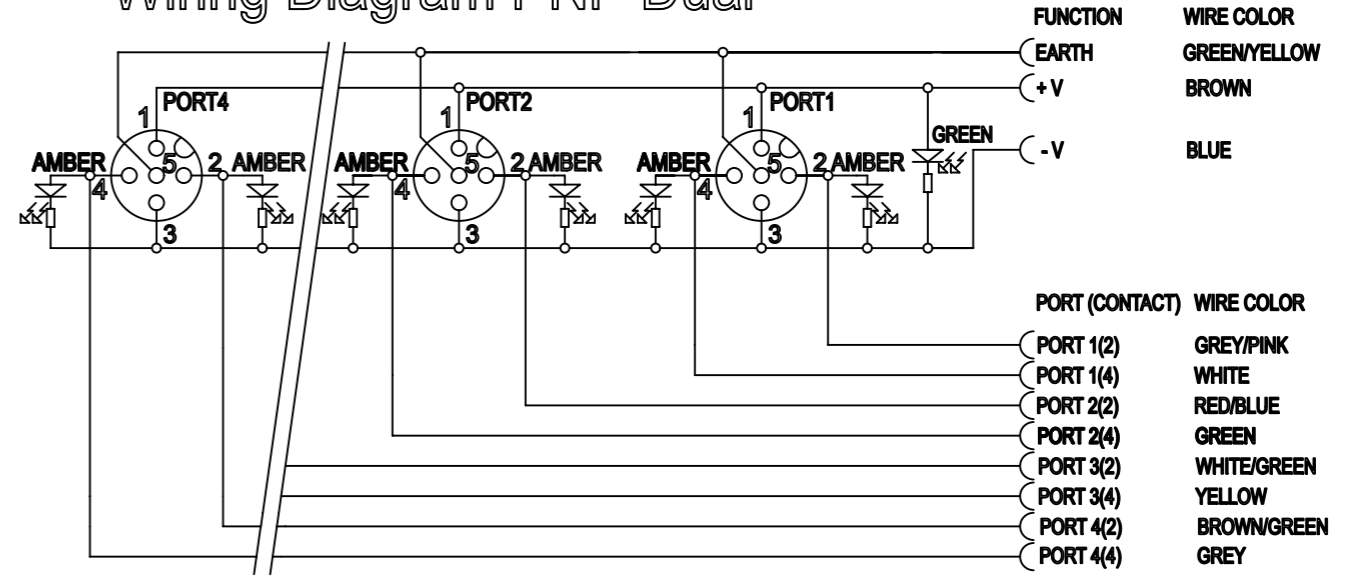


SYMBOLS	THIS DRAWING CONTAINS INFORMATION THAT IS PROPRIETARY TO MOLEX ELECTRONIC TECHNOLOGIES, LLC AND SHOULD NOT BE USED WITHOUT WRITTEN PERMISSION		CURRENT REV DESC: INITIAL RELEASE		<b>molex</b>
	DIMENSION UNITS	SCALE			
▽ = 0	mm	1:1			MPIS U12 NON 5P 4PT BK 5M DUAL
▽ = 0	GENERAL TOLERANCES (UNLESS SPECIFIED)				
▽ = 0	ANGULAR TOL ± 1.0°				PRODUCT CUSTOMER DRAWING
▽ = 0	4 PLACES	±	EC NO: 631635	2020/01/27	
▽ = 0	3 PLACES	±	DRWN: MDHARMANTI	2020/02/05	DOCUMENT NUMBER
▽ = 0	2 PLACES	± 0.05	CHK'D: RSILLER	2020/02/05	
▽ = 0	1 PLACE	± 0.3	APPR: RSILLER	2020/02/05	DOC TYPE
▽ = 0	0 PLACES	± 0.5	INITIAL REVISION:		
□ = 0	DRAFT WHERE APPLICABLE MUST REMAIN WITHIN DIMENSIONS		DRWN: SSM	2018/11/30	DOC PART
□ = 0			APPR: RSILLER	2020/01/17	
▽ = 0			THIRD ANGLE PROJECTION	DRAWING	REVISION
			A3-SIZE	120251	
			MATERIAL NUMBER	CUSTOMER	SHEET NUMBER
			SEE TABLE 1	GENERAL MARKET	

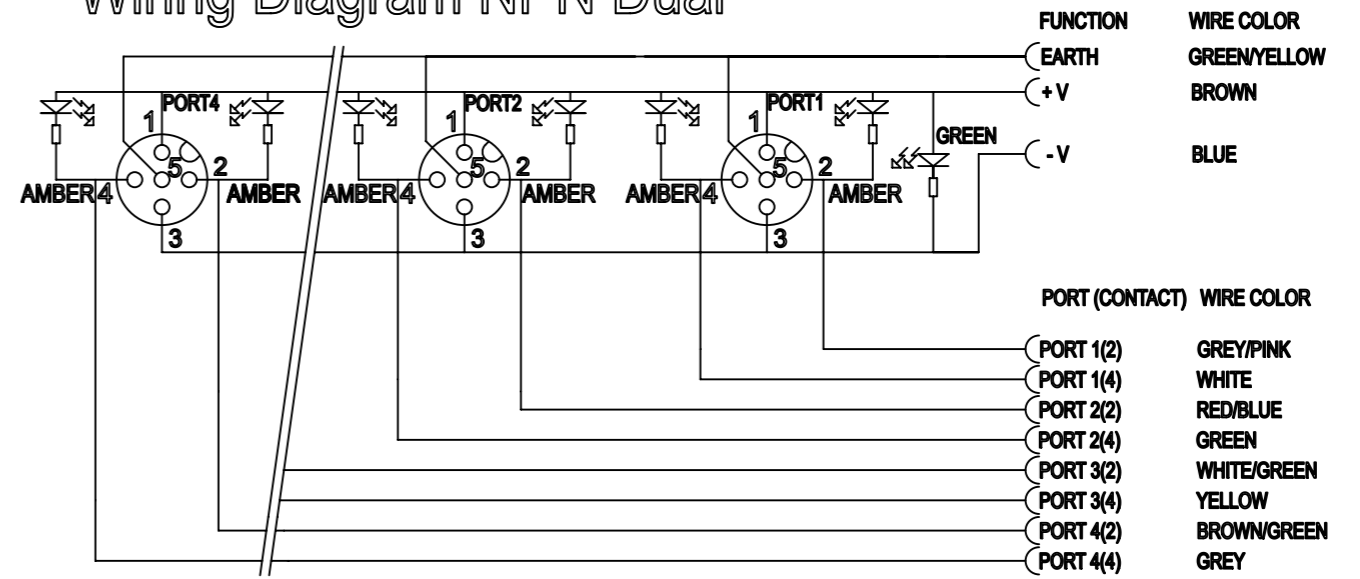
# Wiring Diagram NON LED Dual



# Wiring Diagram PNP Dual



# Wiring Diagram NPN Dual



## CABLE LENGTH TOLERANCES

LENGTH [m]	TOLERANCE [mm]
0-1	+40
>1-5	+60
>5-10	+80
>10-20	+140
>20-30	+160
>30	+1% length

SYMBOLS		THIS DRAWING CONTAINS INFORMATION THAT IS PROPRIETARY TO MOLEX ELECTRONIC TECHNOLOGIES, LLC AND SHOULD NOT BE USED WITHOUT WRITTEN PERMISSION	
▽ = 0	mm	SCALE	1:1
▽ = 0	GENERAL TOLERANCES (UNLESS SPECIFIED)		
▽ = 0	ANGULAR TOL	±	1.0°
▽ = 0	4 PLACES	±	
▽ = 0	3 PLACES	±	
▽ = 0	2 PLACES	±	0.05
▽ = 0	1 PLACE	±	0.3
▽ = 0	0 PLACES	±	0.5
■ = 0	DRAFT WHERE APPLICABLE MUST REMAIN WITHIN DIMENSIONS		
▽ = 0	THIRD ANGLE PROJECTION		
CURRENT REV DESC: INITIAL RELEASE		EC NO: 631635	
		DRWN: MDHARMANTI 2020/01/27	
		CHK'D: RSILLER 2020/02/05	
		APPR: RSILLER 2020/02/05	
INITIAL REVISION:		DRWN: SSM 2018/11/30	
		APPR: RSILLER 2020/01/17	
DOCUMENT NUMBER		DOC TYPE	DOC PART
1202510046		PSD	000
MATERIAL NUMBER		CUSTOMER	SHEET NUMBER
SEE TABLE 1		GENERAL MARKET	2 OF 2

**molex**

MPIS U12 NON 5P 4PT BK 5M DUAL

PRODUCT CUSTOMER DRAWING