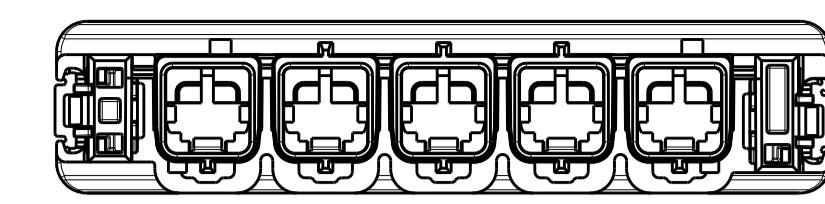
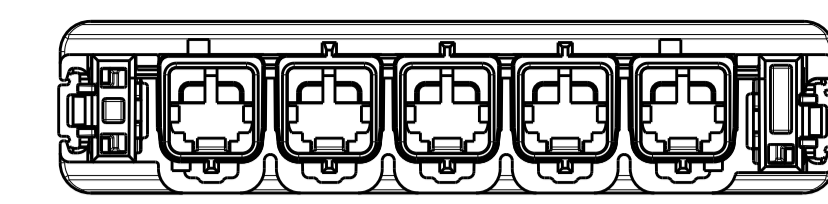


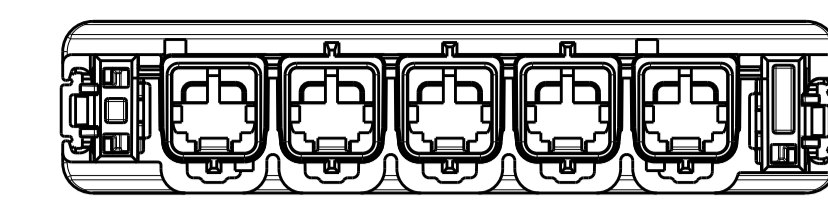
KEY CODE A



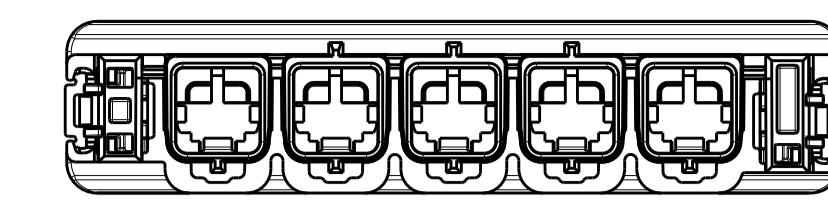
KEY CODE B



KEY CODE C



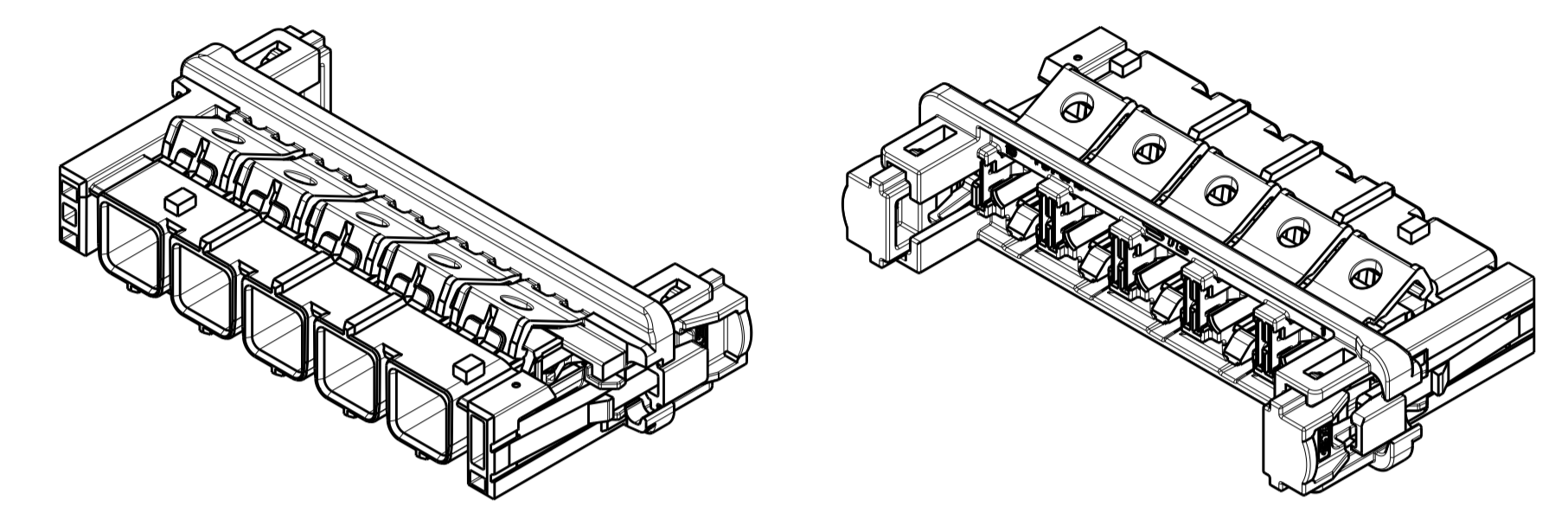
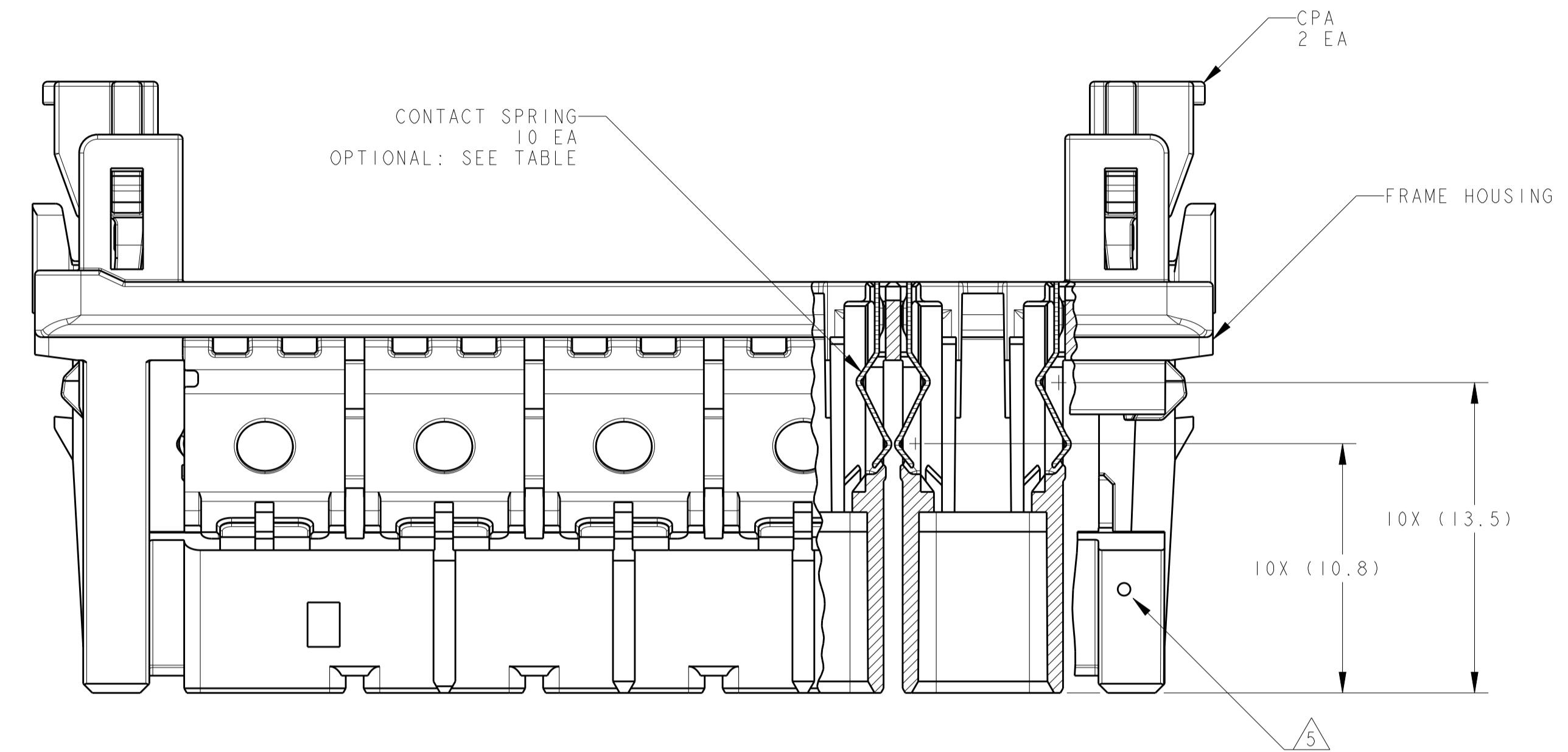
KEY CODE J



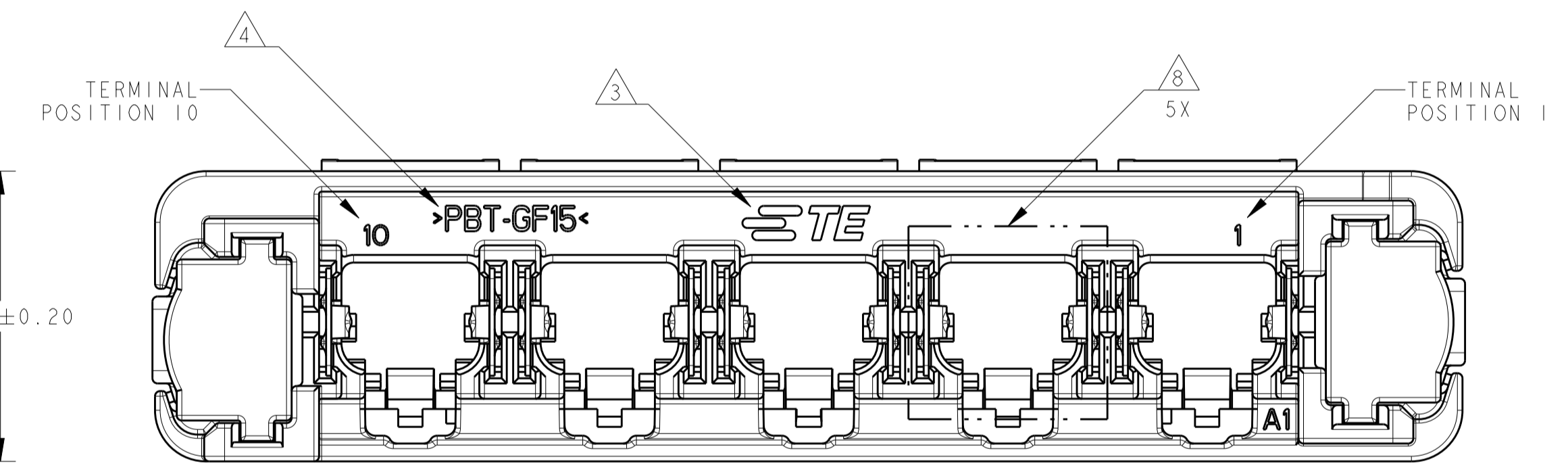
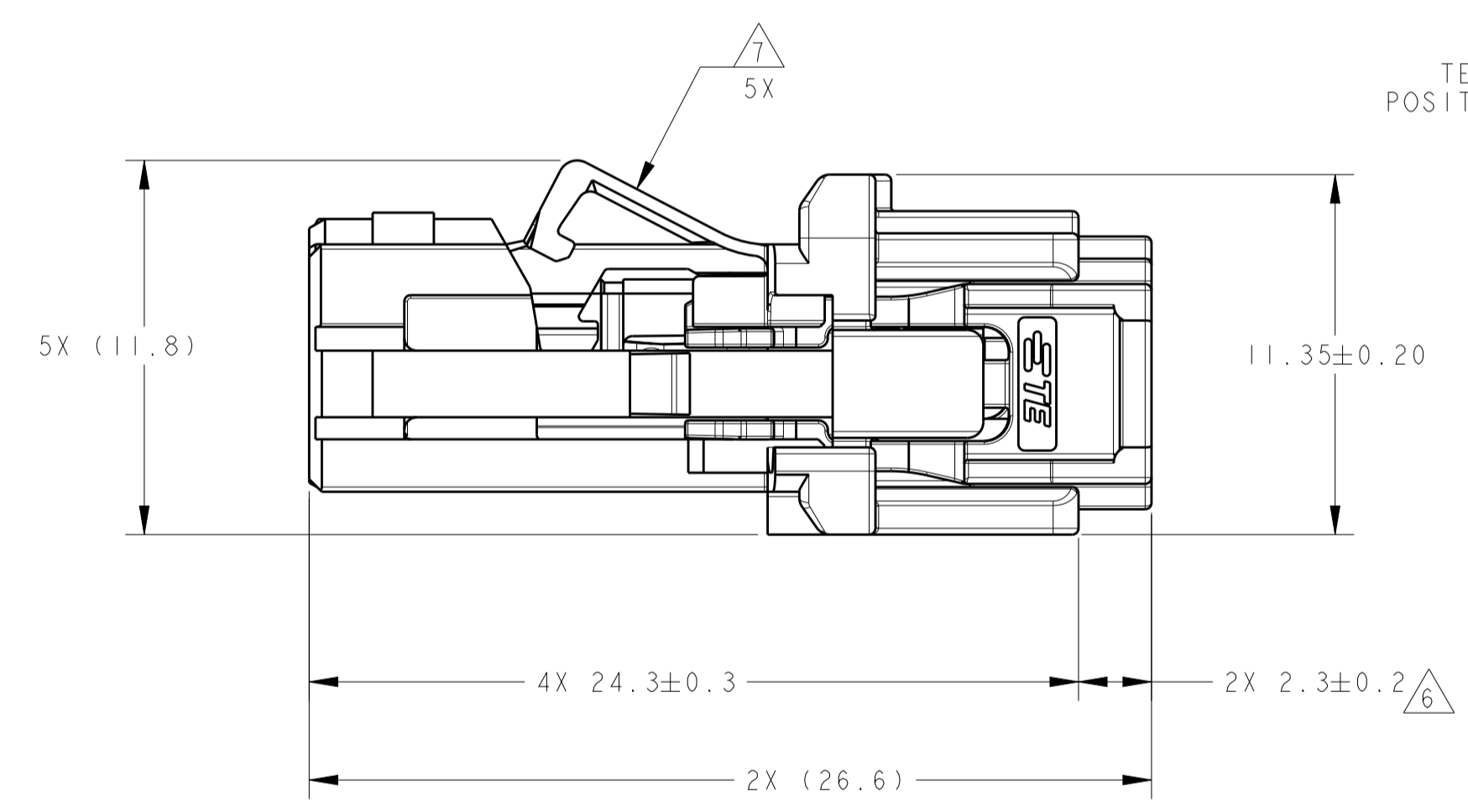
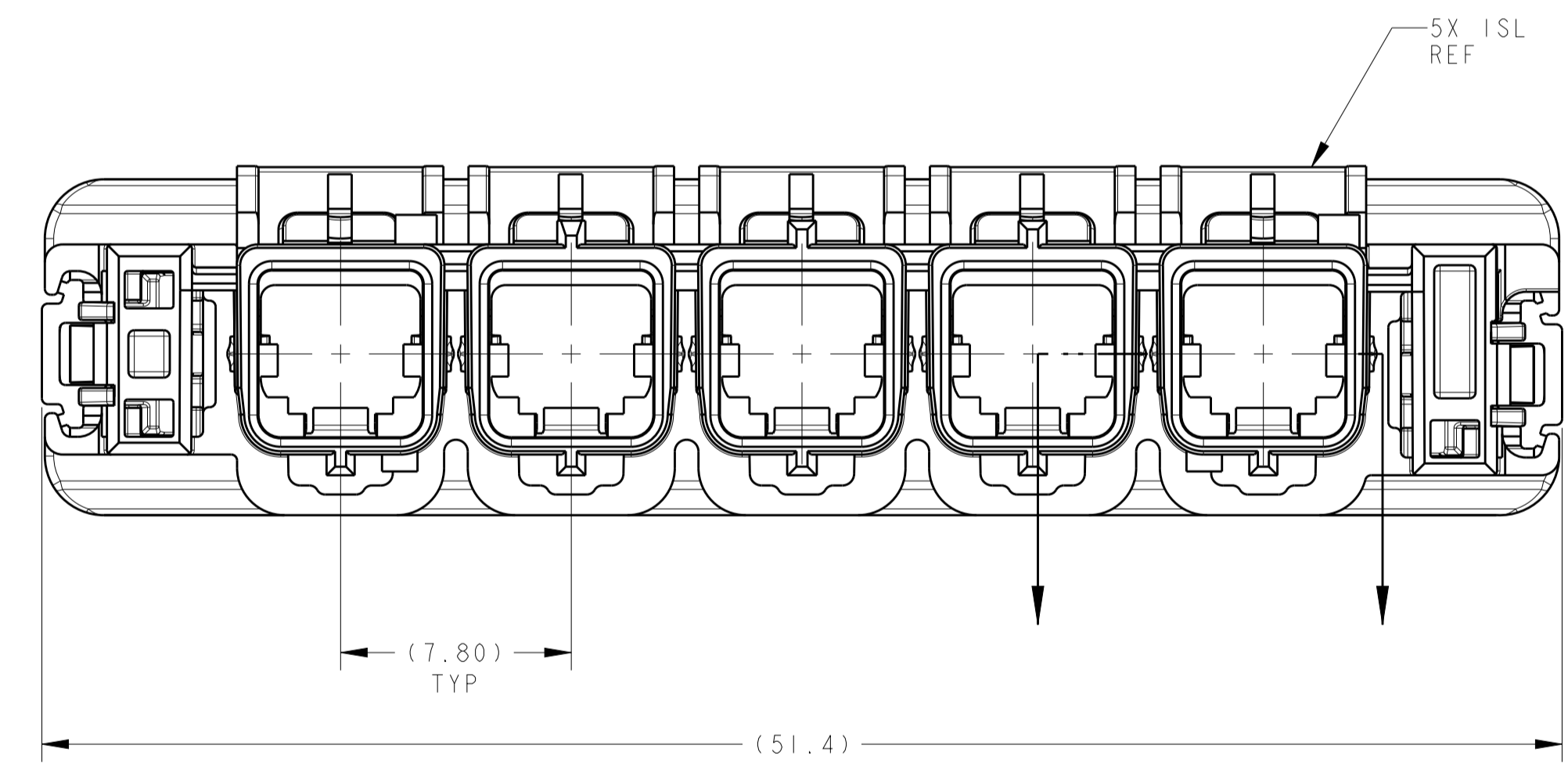
KEY CODE Z

KEY CODE CONFIGURATION VIEWS  
SCALE: 2:1  
(ISL FEATURES SHOWN IN CLOSED POSITION FOR CLARITY)

REVISIONS				
P.	LTN.	DESCRIPTION	DATE	APVD.
A2		REVISED PER ECO-20-013581	24SEP2020	DJH DJH



ISOMETRIC VIEWS  
SCALE: 2:1



- △ FRAME HOUSING - PBT, COLOR: SEE TABLE, 15% GLASS FILLED. CPA - PBT, COLOR: CARMINE RED, 30% GLASS FILLED. CONTACT SPRINGS: STAINLESS STEEL.
- △ CONTACT SPRINGS - 1.27µm MIN TIN OVER NICKEL FLASH.
- △ TE CONNECTIVITY LOGO LOCATED IN APPROXIMATE AREA SHOWN.
- △ MATERIAL IDENTIFIER LOCATED IN APPROXIMATE AREA SHOWN.
- △ WITNESS MARK DOT IN APPROXIMATE AREA AS SHOWN.
- △ CPA SEATED IN PRESET POSITION OF FRAME HOUSING AS INDICATED.
- △ FRAME ASSEMBLY DELIVERED WITH ISL IN OPEN POSITION AS SHOWN.
- △ FRAME ASSEMBLY CAVITY ACCEPTS NanoMQS 2 POSITION INSERT MODULE X-2302450-X.

- △ 9 REQUIRED FOR 100 Mbit/s DATA TRANSMISSION RATES.
- △ 10 REQUIRED FOR 1 Gbit/s DATA TRANSMISSION RATES.
- 11. BULK PACKAGED.
- 12. FEMALE FRAME ASSEMBLY MATES TO CORRESPONDING HEADER ASSEMBLY PART NUMBER X-2315530-X.
- 13. 1-2327450-1 AS SHOWN.
- △ 14 PRELIMINARY - NOT RELEASED FOR PRODUCTION.

CONTACT SPRINGS (SHIELDED)	FRAME HOUSING COLOR	KEY CODE	WEIGHT	PART NUMBER
YES △ 10	WATER BLUE	Z	4.6g	1-2327450-9 △ 14
	BEIGE	J		1-2327450-7 △ 14
	LIGHT BLUE	C		1-2327450-3 △ 14
	PURE WHITE	B		1-2327450-2 △ 14
	BLACK	A		1-2327450-1 △ 14
NO △ 9	WATER BLUE	Z	4.3g	2327450-9
	BEIGE	J		2327450-7 △ 14
	LIGHT BLUE	C		2327450-3 △ 14
	PURE WHITE	B		2327450-2 △ 14
	BLACK	A		2327450-1

THIS DRAWING IS A CONTROLLED DOCUMENT.

DIMENSIONS:	TOLERANCES UNLESS OTHERWISE SPECIFIED:	DWN: R. FOLTZ 08JAN2018	CHK: G. CHALAS 09JAN2018	APVD: A. SPITLER 09JAN2018
mm	0 PLC ±0.1	NAME: FRAME ASSEMBLY, FEMALE, 1x5-PORT, MATEnet		
Ø	1 PLC ±0.1	PRODUCT SPEC: 108-94568		
PLC	2 PLC ±0.1	APPLICATION SPEC: 114-94431		
PLC	3 PLC ±0.1	SIZE: CAGE CODE: DRAWING NO: 00779		
PLC	4 PLC ±0.1	WEIGHT: SEE TABLE		
ANGLES	FINISH	CUSTOMER DRAWING		

SCALE: 5:1 SHEET 1 OF 1 REV: A2