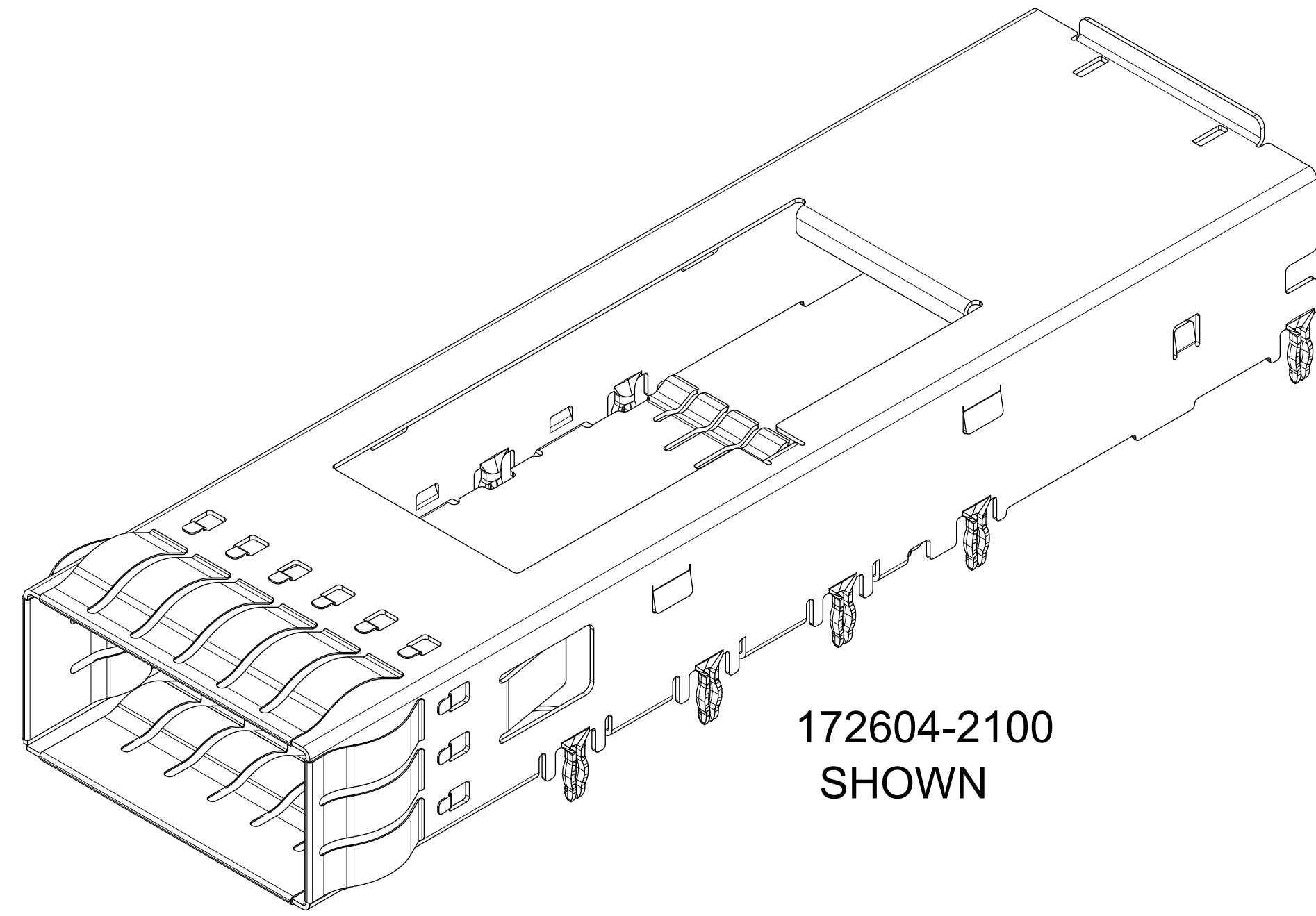
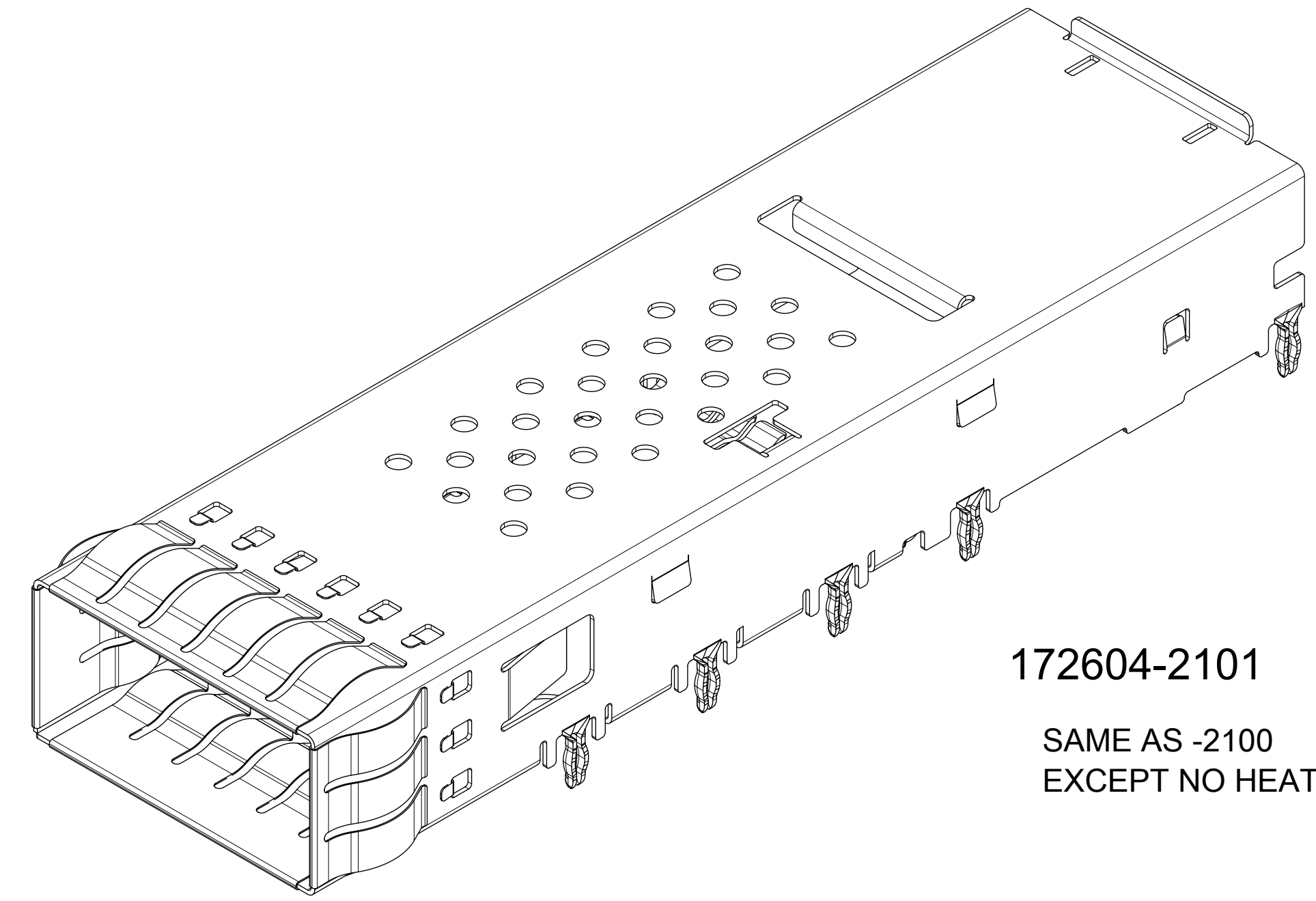


PART NUMBER	DESCRIPTION	HEAT SINK	HEAT SINK CLIP
172604-2100	CONNECTOR CAGE (ACCEPTS STANDARD HEAT SINK, STANDARD CLIP)	100013-0338	100013-0181
172604-2101	CONNECTOR CAGE (DOES NOT ACCEPT HEAT SINK OR CLIP)	N/A	N/A

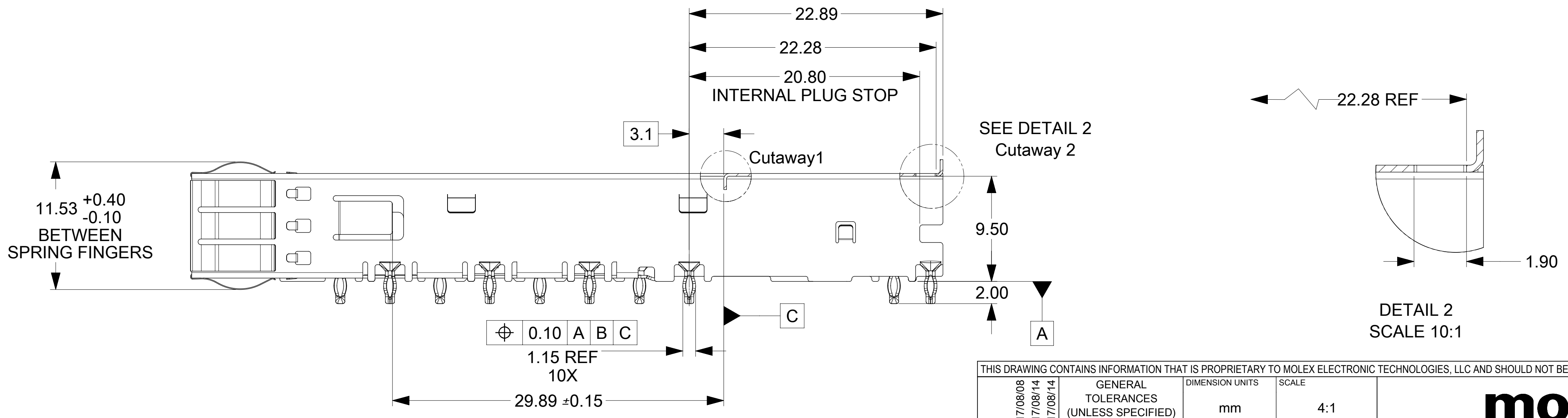
* HEAT SINK AND CLIP SOLD SEPARATELY



172604-2100 SHOWN



172604-2101
SAME AS -2100 EXCEPT NO HEAT SINK



- NOTES:
- MATERIALS:
 - CAGE: STAINLESS STEEL
 - EMI SPRINGS: COPPER ALLOY
 - FOR USE WITH IFT MODULE 172604-0002 AND -1002
 - COMPONENTS ARE RoHS COMPLIANT
 - PACKAGING: TRAY PACK

THIS DRAWING CONTAINS INFORMATION THAT IS PROPRIETARY TO MOLEX ELECTRONIC TECHNOLOGIES, LLC AND SHOULD NOT BE USED WITHOUT WRITTEN PERMISSION

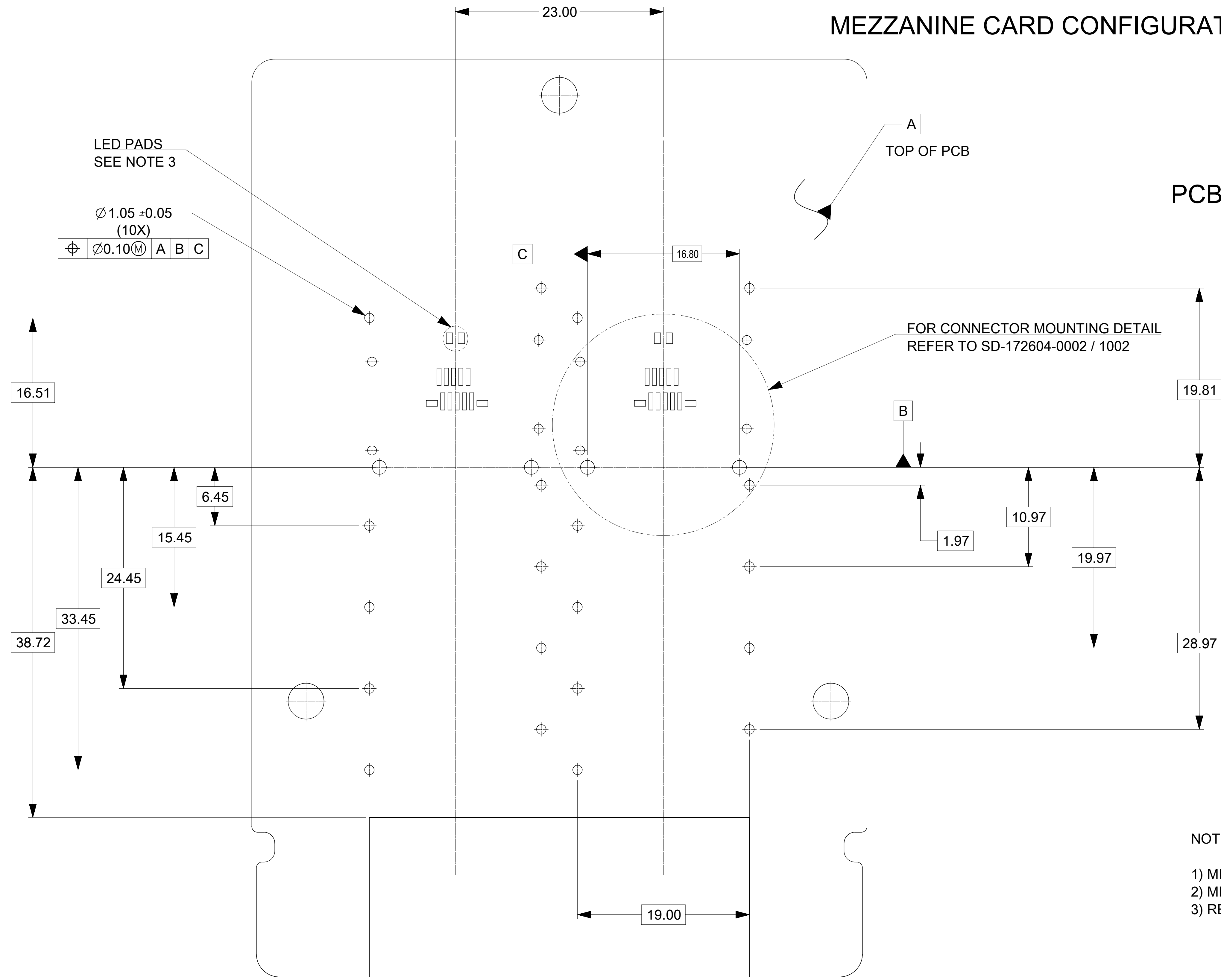
MIGRATED TO INXECTR EC NO: 120648 DRWN: ABN CHKD: MCAIN REV APPR: SMILLER	2017/08/08	GENERAL TOLERANCES (UNLESS SPECIFIED)	DIMENSION UNITS	SCALE	
	2017/08/14	ANGULAR TOL ± 0.5 °	mm	4:1	
	2017/08/14	4 PLACES ±	DRWN BY	DATE	
		3 PLACES ±	MWOLFE	2017/01/06	
		2 PLACES ± 0.13	CHKD BY	DATE	
	1 PLACE ± 0.25	MCAIN	2017/08/14		
	0 PLACES ±	APPR BY	DATE		
		SMILLER	2017/08/14		
		DRAWING SIZE	THIRD ANGLE PROJECTION		
		DRAFT WHERE APPLICABLE MUST REMAIN WITHIN DIMENSIONS	D		

PRODUCT CUSTOMER DRAWING		
SERIES	MATERIAL NUMBER	CUSTOMER
172604	172604-21**	GENERAL MARKET
DOCUMENT NUMBER	DOC TYPE	DOC PART SHEET NUMBER
SD-172604-2100	PSD	001 1 OF 4

MEZZANINE CARD CONFIGURATION

PCB HOLE LAYOUT FOR PRESS-IN CAGE

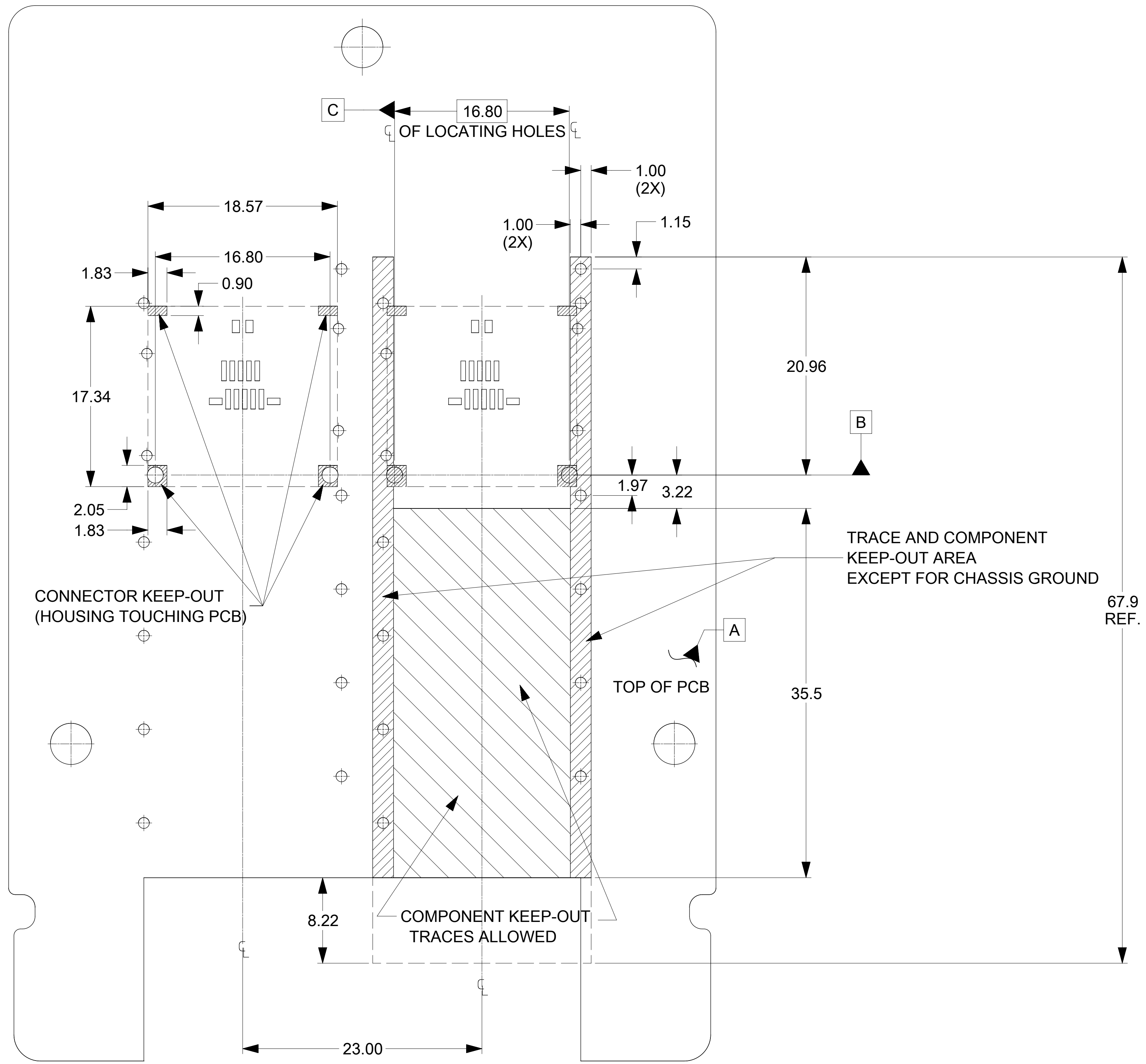
SINGLE SIDED APPLICATION HOLE PATTERN SHOWN



NOTES:

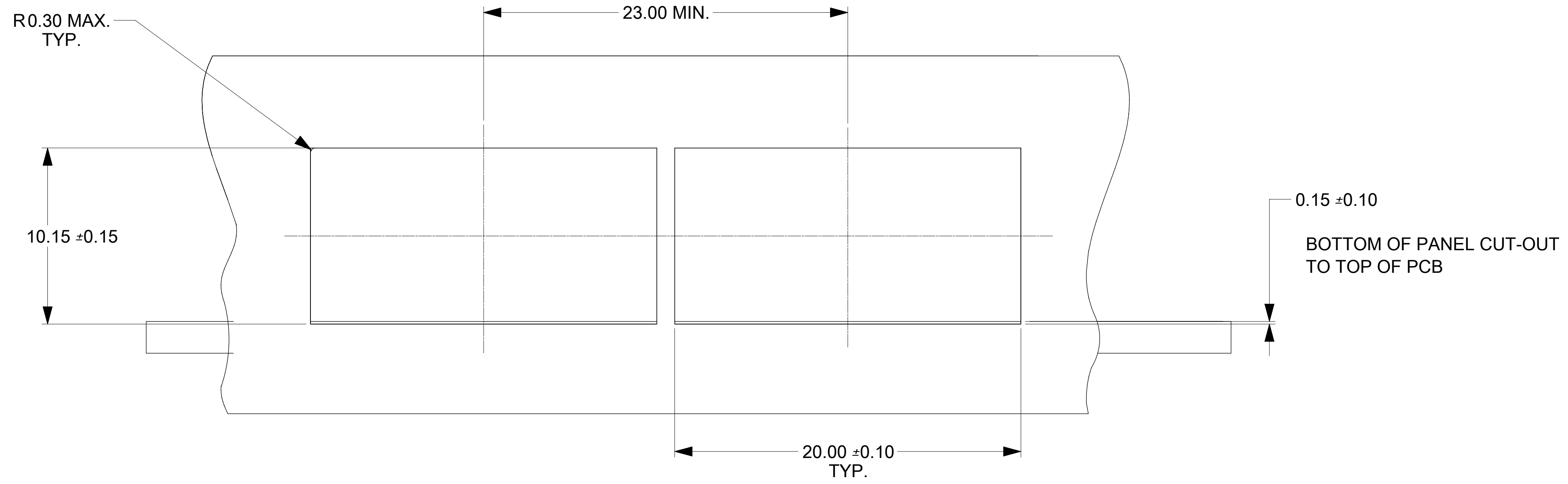
- 1) MINIMUM PCB THICKNESS: 1.83 mm / .072 in. FOR DOUBLE SIDED (BELLY-TO-BELLY) APPLICATIONS.
- 2) MINIMUM PCB THICKNESS: 1.57 mm / .063 in. FOR SINGLE SIDED APPLICATIONS.
- 3) RECOMMENDED LED PACKAGE: 1608/0603 0.4mm HIGH MAX.

THIS DRAWING CONTAINS INFORMATION THAT IS PROPRIETARY TO MOLEX ELECTRONIC TECHNOLOGIES, LLC AND SHOULD NOT BE USED WITHOUT WRITTEN PERMISSION											
MIGRATED TO INXECTR EC NO: 120648 DRWN: ABN CHKD: MCAIN REV APPR: SMILLER	2017/08/08	GENERAL TOLERANCES (UNLESS SPECIFIED)		DIMENSION UNITS	SCALE						
	2017/08/14	ANGULAR TOL ± 0.5 °		mm	4:1						
	2017/08/14	4 PLACES ±		DRWN BY	DATE						
		3 PLACES ±		MWOLFE	2017/01/06	IFT CONNECTOR EMI CAGES					
		2 PLACES ± 0.13		CHKD BY	DATE						
		1 PLACE ± 0.25		MCAIN	2017/08/14						
	0 PLACES ±		APPR BY	DATE	PRODUCT CUSTOMER DRAWING						
	DRAFT WHERE APPLICABLE MUST REMAIN WITHIN DIMENSIONS		SMILLER	2017/08/14	SERIES	MATERIAL NUMBER	CUSTOMER				
A	D	THIRD ANGLE PROJECTION		172604	172604-21**	GENERAL MARKET					
				DOCUMENT NUMBER	DOC TYPE	DOC PART	SHEET NUMBER				
				SD-172604-2100	PSD	001	2 OF 4				

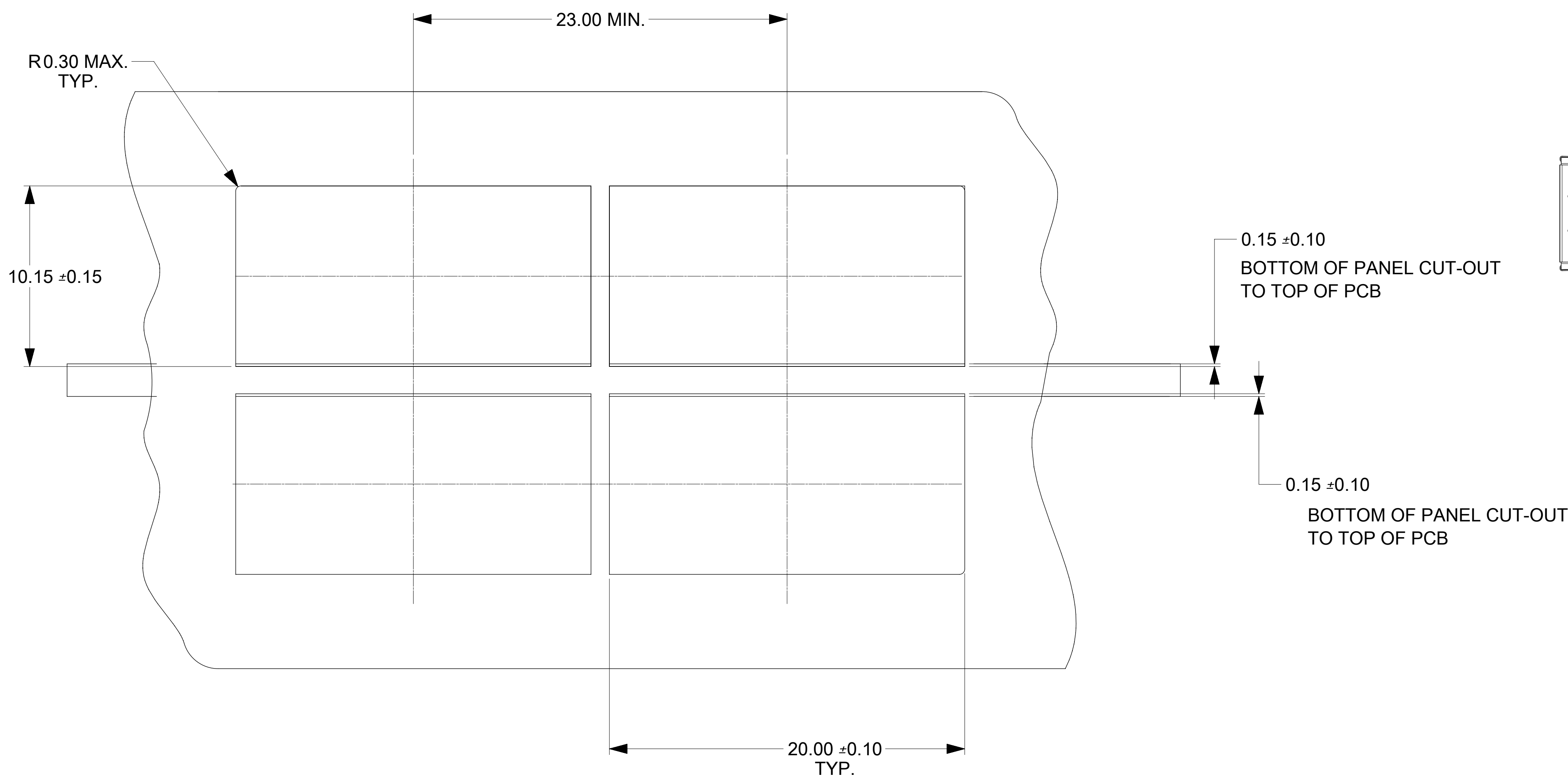


CONNECTOR AND CAGE KEEP-OUT ZONES

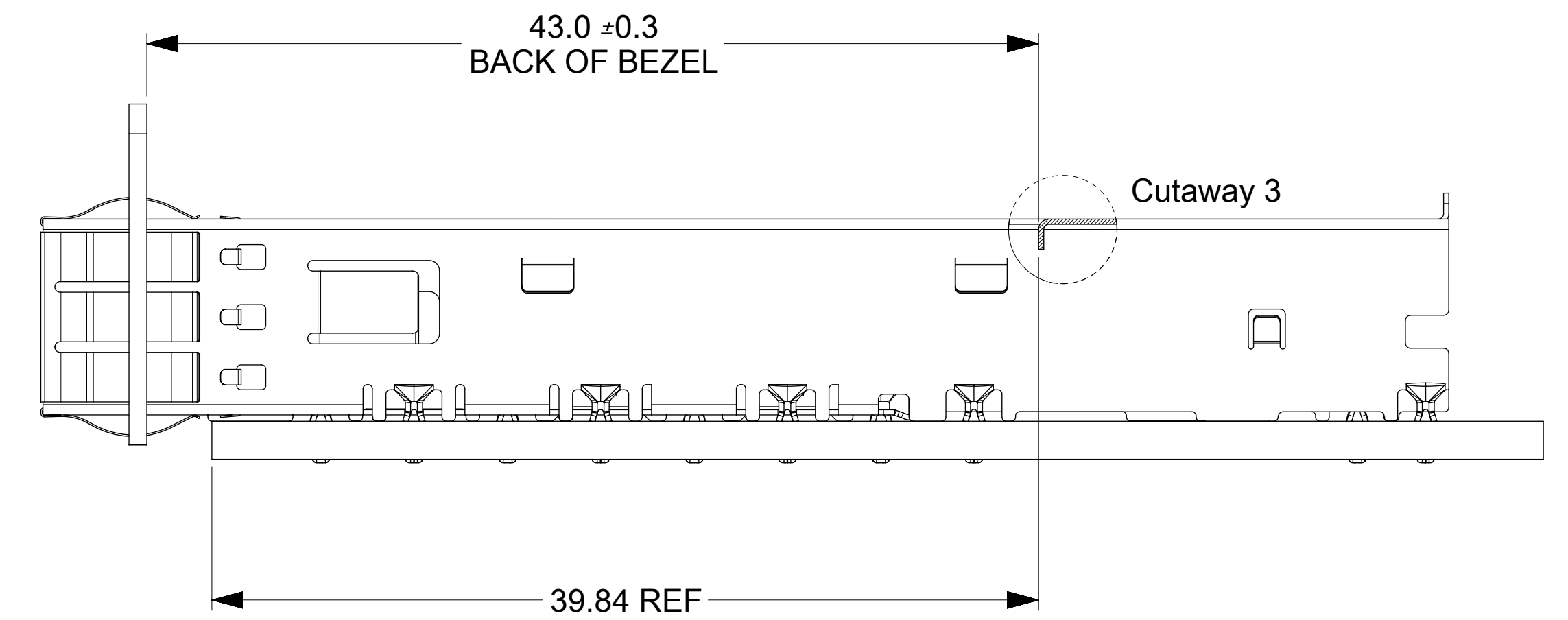
THIS DRAWING CONTAINS INFORMATION THAT IS PROPRIETARY TO MOLEX ELECTRONIC TECHNOLOGIES, LLC AND SHOULD NOT BE USED WITHOUT WRITTEN PERMISSION											
MIGRATED TO INXECTR EC NO: 120648 DRWN: ABN CHKD: MCAIN REV APPR: SMILLER	2017/08/08	GENERAL TOLERANCES (UNLESS SPECIFIED)		DIMENSION UNITS	SCALE	molex IFT CONNECTOR EMI CAGES					
	2017/08/14	ANGULAR TOL ± 0.5 °		mm	4:1						
	2017/08/14	4 PLACES ±	DRWN BY	DATE		PRODUCT CUSTOMER DRAWING					
	2017/08/14	3 PLACES ±	MWOLFE	2017/01/06							
		2 PLACES ± 0.13	CHKD BY	DATE		SERIES MATERIAL NUMBER CUSTOMER					
		1 PLACE ± 0.25	MCAIN	2017/08/14							
	0 PLACES ±	APPR BY	DATE		DOCUMENT NUMBER DOC TYPE DOC PART SHEET NUMBER						
	DRAFT WHERE APPLICABLE MUST REMAIN WITHIN DIMENSIONS	SMILLER	2017/08/14								
A		DRAWING SIZE	THIRD ANGLE PROJECTION		172604	172604-21**	GENERAL MARKET				
		D			SD-172604-2100	PSD	001	3 OF 4			



PANEL CUT-OUT FOR SINGLE SIDED MOUNTING



PANEL CUT-OUT FOR BELLY-TO-BELLY MOUNTING



THIS DRAWING CONTAINS INFORMATION THAT IS PROPRIETARY TO MOLEX ELECTRONIC TECHNOLOGIES, LLC AND SHOULD NOT BE USED WITHOUT WRITTEN PERMISSION

MIGRATED TO INXECTR EC NO: 120648 DRWN: ABN CHKD: MCAIN REV APPR: SMILLER	2017/08/08	2017/08/14	2017/08/14	GENERAL TOLERANCES (UNLESS SPECIFIED)	DIMENSION UNITS	SCALE	
	4 PLACES	±		mm	6:1		
	3 PLACES	±		ANGULAR TOL ± 0.5 °	DRWN BY	DATE	
	2 PLACES	±	0.13	MWOLFE	2017/01/06		
	1 PLACE	±	0.25	MCAIN	2017/08/14		
0 PLACES	±		SMILLER	2017/08/14			
DRAFT WHERE APPLICABLE MUST REMAIN WITHIN DIMENSIONS				DRAWING SIZE	THIRD ANGLE PROJECTION		
				D			
RELEASE STATUS	P1	RELEASE DATE	14.08.2017 19:01:48	SERIES		MATERIAL NUMBER	CUSTOMER
				172604	172604-21**	GENERAL MARKET	
				DOCUMENT NUMBER	DOC TYPE	DOC PART	SHEET NUMBER
				SD-172604-2100	PSD	001	4 OF 4