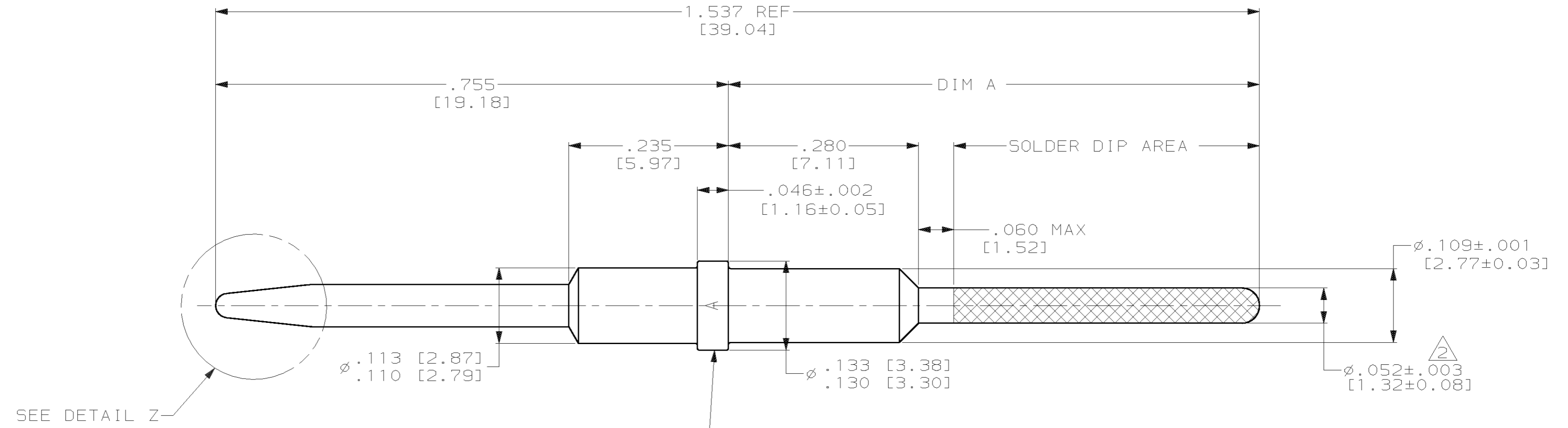


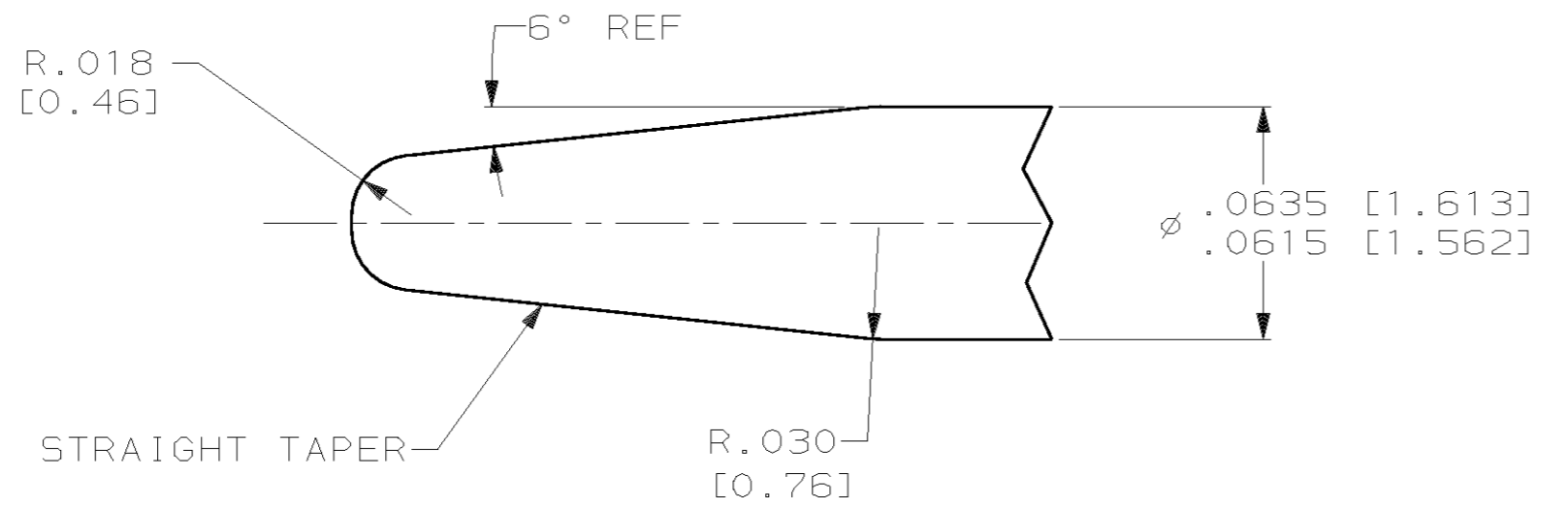
THIS DRAWING IS UNPUBLISHED. RELEASED FOR PUBLICATION .19
 (C) COPYRIGHT 19 BY AMP INCORPORATED. ALL RIGHTS RESERVED.

LOC	DIST	REVISIONS					
DF	AO	P	LTR	DESCRIPTION	DATE	DWN	APVD
		B		REV PER 063D-0517-03	9-11-03	JMK	SG

- 1. FOR USE IN ARINC 600 REAR RELEASE INSERT.
- 2. DIMENSIONS APPLY BEFORE SOLDER DIP.



MAT'L: LEADED COPPER PER ASTM-B-301
 FINISH: PLATED GOLD .000050 [0.0012] MIN THK
 PER ASTM-B-488 OVER NICKEL .000050 [0.0012]
 MIN THK. PER QQ-N-290



DETAIL Z
 SCALE 20:1

.522 [13.26]	NO	1-1663128-0
.652 [16.56]	NO	1663128-8
.635 [16.13]	YES	1663128-6
.635 [16.13]	NO	1663128-5
.782 [19.86]	YES	1663128-3
.782 [19.86]	NO	1663128-2
DIM A	SOLDER DIP	PART NUMBER

THIS DRAWING IS A CONTROLLED DOCUMENT.		DWN C.C.THOMAS 11-19-02	 TYCO Electronics Harrisburg, PA 17105-3608	
DIMENSIONS: INCHES [mm]		CHK S.GLATFELTER 11-19-02	 AMP	
TOLERANCES UNLESS OTHERWISE SPECIFIED:		APVD S.GLATFELTER 11-19-02	NAME S. GLATFELTER	
0 PLC ±- 1 PLC ±- 2 PLC ±- 3 PLC ±.005 [0.13] 4 PLC ±- ANGLES ±-		PRODUCT SPEC -	PRODUCT SPEC -	
MATERIAL SEE CALLOUT		FINISH SEE CALLOUT	APPLICATION SPEC -	RESTRICTED TO -
WEIGHT -		SIZE A2	CAGE CODE 00779	DRAWING NO 1663128
CUSTOMER DRAWING		SCALE 8:1	SHEET 1 OF 1	REV B