

THIS DRAWING IS UNPUBLISHED.

RELEASED FOR PUBLICATION

ALL RIGHTS RESERVED.

© COPYRIGHT - By -

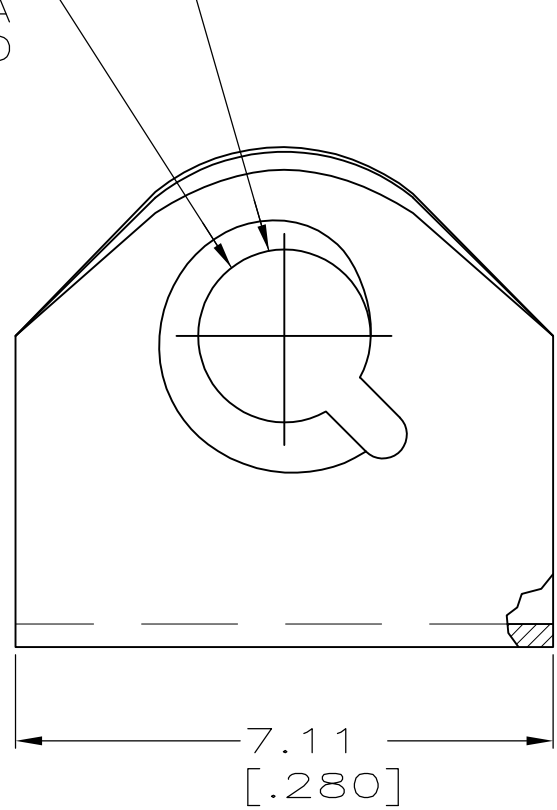
REVISIONS

P	LTR	DESCRIPTION	DATE	DWN	APVD
C		REVISED PER ECO-16-013469	13OCT2016	AP	DG

① STAINLESS STEEL PER ASTM A666.

MUST ACCEPT 4-40 UNC-2A THREAD

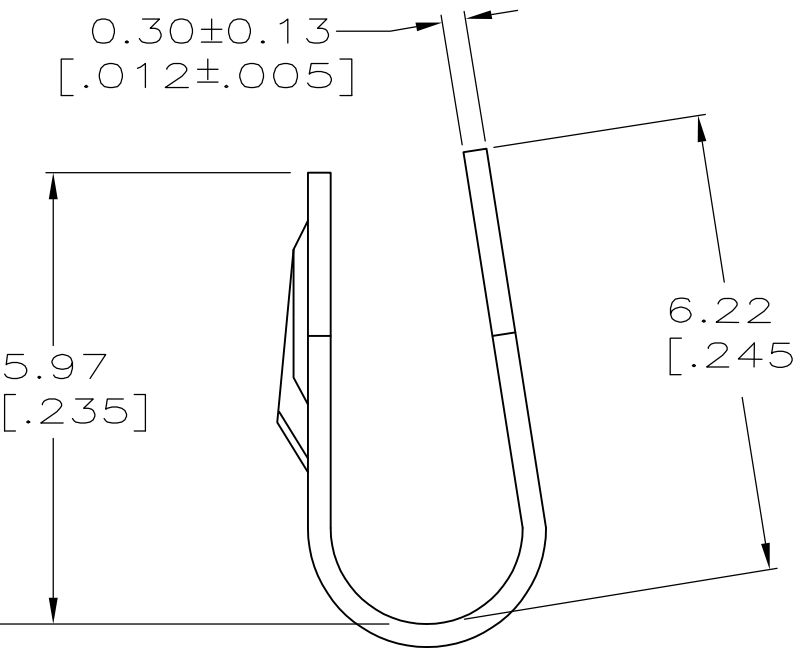
#4-40 UNC



0.30±0.13
[.012±.005]

5.97
[.235]

6.22
[.245]



745564-1

PART NUMBER

THIS DRAWING IS A CONTROLLED DOCUMENT.

DWN B. MOYER 07/26/90

CHK R. STONE 8-2-90

APVD - 8-2-90 - B. TAYLOR

PRODUCT SPEC - 8-3-90 - J. ASSINI

APPLICATION SPEC -

WEIGHT 0.000000

CUSTOMER DRAWING



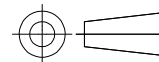
SCREW RETAINER, HDE

SIZE A3 CAGE CODE 00779 DRAWING NO C-745564 RESTRICTED TO -

SCALE 10:1 SHEET 1 OF 1 REV C

DIMENSIONS: INCHES

TOLERANCES UNLESS OTHERWISE SPECIFIED:



- 0 PLC ± -
- 1 PLC ± -
- 2 PLC ± 0.51 [.020]
- 3 PLC ± -
- 4 PLC ± -
- ANGLES ± -

MATERIAL



FINISH -