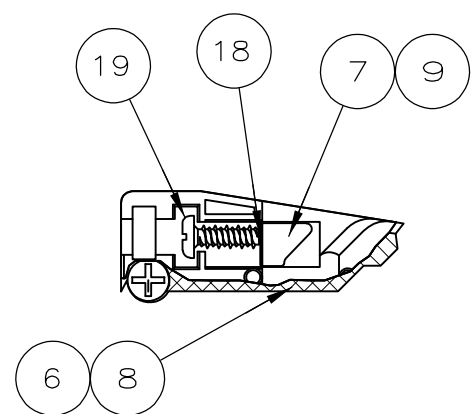
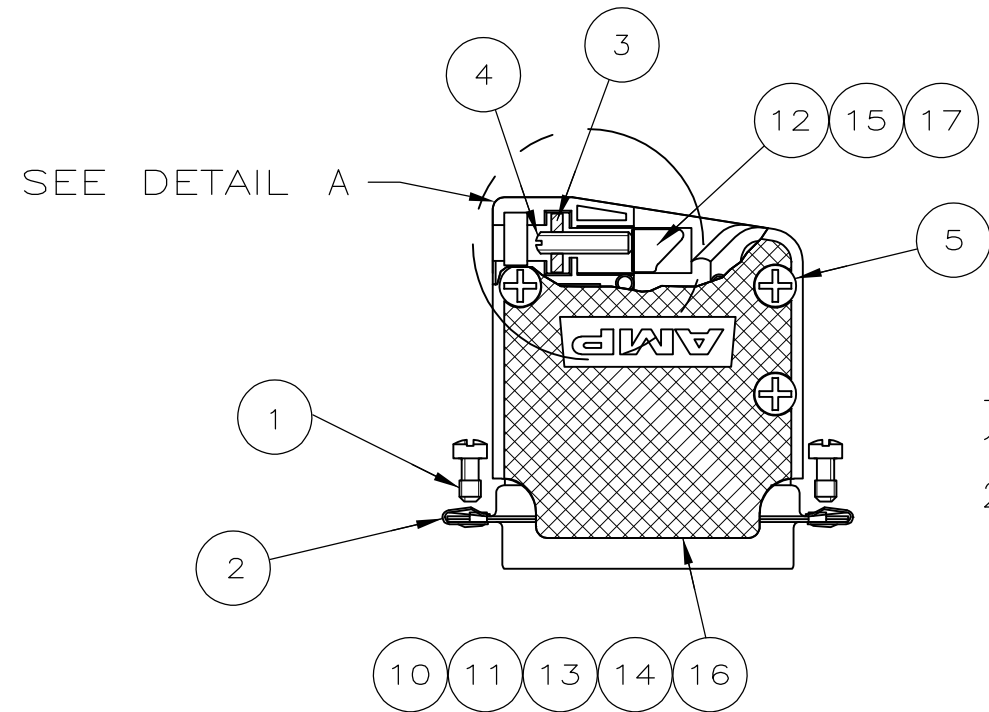


THIS DRAWING IS UNPUBLISHED. RELEASED FOR PUBLICATION  
 © COPYRIGHT 2006 By - ALL RIGHTS RESERVED.

LOC	DIST	REVISIONS			
P	LTR	DESCRIPTION	DATE	DWN	APVD
GP	00	A1	REVISED PER ECO-11-004835	11MAR11	RK HMR



DETAIL A  
FOR -1 & 2 ONLY



-3, -4, -5,  
1--1, 1--2,  
2--2 & 2--6

- 1 PARTS PACKAGED UNASSEMBLED.
- ② STAINLESS STEEL.
- ③ ZINC PLATED YELLOW CHROMATE COATING.
- ④ STEEL.
- ⑤ ZINC PLATED CLEAR CHROMATE COATING.
- ⑥ BRASS.
- ⑦ BLACK ZINC PHOSPHATE.
- ⑧ OBSOLETE.

CONTENTS BULK PACKAGED BY ITEM										CONTENTS PACKAGED ONE KIT PER POLY BAG										
-	-	-	-	-	-	-	-	-	-	-	-	-	-	-	-	-	-	-	-	
-	-	-	-	-	-	-	-	1	1	GATE SCREW	④	⑦								19
-	-	-	-	-	-	-	-	1	1	SHIM	⑥									18
-	-	-	-	1	-	-	-	-	-	SIZE 5 GATE										17
-	-	-	-	1	-	-	-	-	-	SIZE 5 HOUSING										16
-	-	-	-	1	-	-	-	-	-	SIZE 4 GATE										15
-	-	-	-	1	-	-	-	-	-	SIZE 4 HOUSING										14
1	-	1	-	-	-	-	-	-	-	SIZE 3 SHORT HOUSING										13
1	1	1	-	-	-	1	-	-	-	SIZE 3 GATE										12
-	1	-	-	-	-	1	-	-	-	SIZE 3 HOUSING										11
-	-	-	1	-	-	-	-	-	-	SIZE 2 SHORT HOUSING										10
-	-	-	1	-	-	-	1	-	-	SIZE 2 GATE										9
-	-	-	-	-	-	-	1	-	-	SIZE 2 HOUSING										8
-	-	-	-	-	-	-	-	1	-	SIZE 1 GATE										7
-	-	-	-	-	-	-	-	1	-	SIZE 1 HOUSING										6
2	3	2	3	3	3	3	2	1	-	PH HD #5-21 HI-LO SCREW	④	⑤								5
1	1	1	-	1	1	1	-	-	-	SLOTTED SET SCREW	④	⑤								4
1	1	1	-	1	1	1	-	-	-	SQUARE NUT	④									3
2	2	2	2	2	2	2	2	2	-	CLIP	②									2
2	2	2	2	2	2	2	2	2	-	RETAINING SCREW	③	④								1
2-6	2-2	1-2	1-1	-5	-4	-3	-2	-1	-	DESCRIPTION										ITEM NO

THIS DRAWING IS A CONTROLLED DOCUMENT.		DWN R.RICHARDSON 12SEPT05																			
DIMENSIONS: INCHES		CHK C.ROHDE 12SEPT05																			
TOLERANCES UNLESS OTHERWISE SPECIFIED:		APVD M.WALMSLEY 12SEPT05	NAME																		
<table border="1"> <tr><td>0 PLC</td><td>±</td><td>-</td></tr> <tr><td>1 PLC</td><td>±</td><td>-</td></tr> <tr><td>2 PLC</td><td>±</td><td>-</td></tr> <tr><td>3 PLC</td><td>±</td><td>-</td></tr> <tr><td>4 PLC</td><td>±</td><td>-</td></tr> <tr><td>ANGLES</td><td>±</td><td>-</td></tr> </table>		0 PLC	±	-	1 PLC	±	-	2 PLC	±	-	3 PLC	±	-	4 PLC	±	-	ANGLES	±	-	PRODUCT SPEC	
0 PLC	±	-																			
1 PLC	±	-																			
2 PLC	±	-																			
3 PLC	±	-																			
4 PLC	±	-																			
ANGLES	±	-																			
MATERIAL HOUSING & GATES: POLYPROPYLENE		APPLICATION SPEC																			
FINISH HOUSING & GATES: BLACK		WEIGHT																			
HARDWARE: ②, ③, ④, ⑤, ⑥, ⑦		SCALE: 2:1																			
CUSTOMER DRAWING		SHEET 1 of 1																			
		REV A1																			