

THIS DRAWING IS UNPUBLISHED.

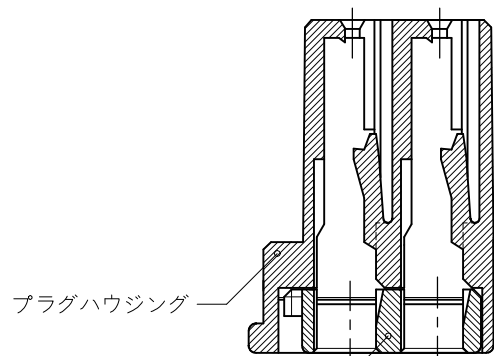
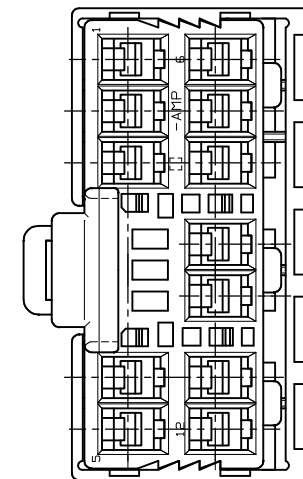
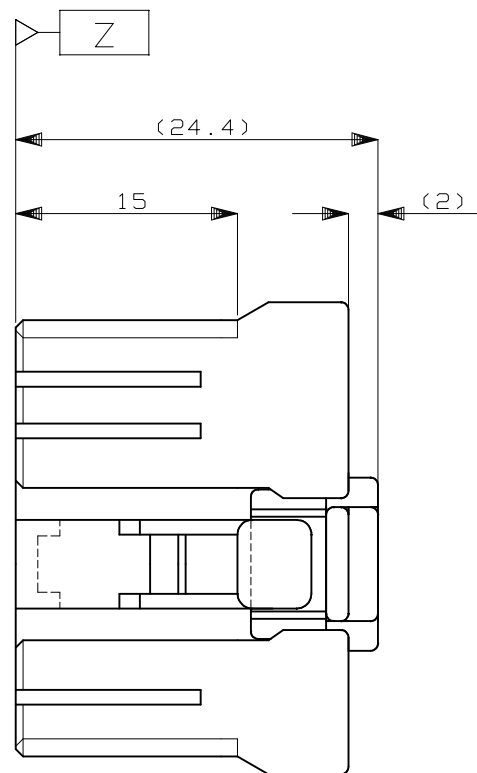
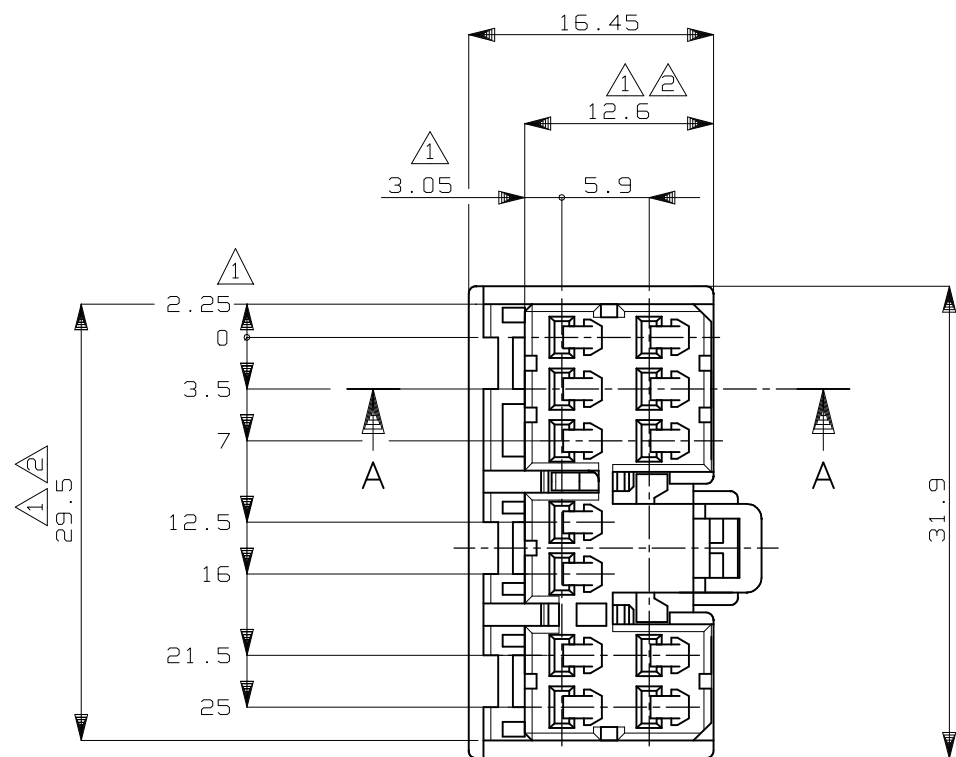
RELEASED FOR PUBLICATION

© COPYRIGHT - TE Connectivity Ltd.

ALL RIGHTS RESERVED.

REVISIONS

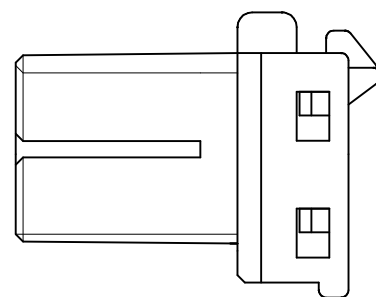
P	LTR	DESCRIPTION	DATE	DWN	APVD
	A1	REDRAWN W/O CHANGE ECR-18-009049	12JUN2018	TS	HY



プラグハウジング

ダブルロックプレート

断面 A-A
(SECT. A-A)



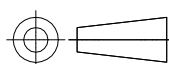
- ① -Z- 面より2mmの範囲で測定。
 - ② 相手ハウジングと所定の機能を満足して嵌合できること。
 - 3. 内装するリセパクルコンタクト型番：173630 173631。
 - 4. 製品規格番号：108-5312
- ① TO BE MEASURED BETWEEN -Z- AND 2.
 - ② TO BE MATE WITH CAP HOUSING SMOOTHLY.
 - 3. APPLIED TAB CONTACT PART NUMBER : 173630 AND 173631.
 - 4. PRODUCT SPECIFICATION NUMBER : 108-5312

TOLERANCE UNLESS OTHERWISE SPECIFIED:
一般公差

0 < x ≤ 10	: ±0.2
10 < x ≤ 30	: ±0.25
30 < x ≤ 100	: ±0.3
ANGLE 角度	: ±3°

THIS DRAWING IS A CONTROLLED DOCUMENT.

DIMENSIONS: mm



MATERIAL PBT

TOLERANCES UNLESS OTHERWISE SPECIFIED:

0 PLC	± -
1 PLC	± -
2 PLC	± -
3 PLC	± -
4 PLC	± -
ANGLES	± -

FINISH -

DWN	Y.KAKITANI	12/3'90
CHK	Y.MATSUSAKA	12/11'90
APVD	M.NOGUCHI	12/11'90
PRODUCT SPEC	SEE NOTE 4	
APPLICATION SPEC	-	
WEIGHT	5.9 g	
CUSTOMER DRAWING		

色 (COLOR)	名称 (NAME)	型番 (PART NUMBER)
オレンジ (ORANGE)	12極 プラグハウジング (12Pos. PLUG HOUSING)	176116-8
灰 (GRAY)	12極 プラグハウジング (12Pos. PLUG HOUSING)	176116-6
青 (BLUE)	12極 プラグハウジング (12Pos. PLUG HOUSING)	176116-5

TE Connectivity Ltd.			
NAME			
070 SERIES MULTILOCK I/O CONNECTOR MK-II 12POSITION PLUG HOUSING			
SIZE	CAGE CODE	DRAWING NO	RESTRICTED TO
A3	00779	C=176116	-
SCALE		SHEET	REV
2:1		1 of 1	A1