

**ECONOSEAL “J”- II CONNECTOR**
**1. Scope :**

This specification covers requirements for product performance and test methods of ECONOSEAL “J”- II connectors.

**2. Product Part Numbers and Descriptions :**

The products of the following part numbers shall be governed under this specification.

Part Numbers		Descriptions
171630, 171662		.070 Series, Receptacle Contact
171631, 171661		.070 Series, Tab Contact
NBR Bis-containing 172746 172888 178210 176886	NBR non-Bis type 2822352 2822354 2822356 2822355	Rubber Plug for .070 Series Contact
900324 SILICONE 900325 SILICONE		
NBR Bis-containing 172748	NBR non-Bis type 2822357	Cavity Plug for .070 Series Connector
171632		.250 Series, Receptacle Contact
171633		.250 Series, Tab Contact
NBR Bis-containing 172747	NBR non-Bis type 2822353	Rubber Plug for .250 Series Contact
NBR Bis-containing 172749	NBR non-Bis type 2822358	Cavity Plug for .250 Series Connector
173090		.070 Series, 2-Pos. Plug Housing Assembly
173063		.070 Series, 2-Pos. Cap Housing
NBR Bis-containing 173091	NBR non-Bis type 2822366	.070 Series, 3-Pos. Plug Housing Assembly
173065		.070 Series, 3-Pos. Cap Housing
173914		.070 Series, 4-Pos. Plug Housing Assembly
173915		.070 Series, 4-Pos. Cap Housing
NBR Bis-containing 173891	NBR non-Bis type 2822386	.070 Series, 13-Pos. Plug Housing Assembly
173892		.070 Series, 13-Pos. Cap Housing

**3. Definitions of Terms :**

## 3.1 Contact:

Contact is a metallic component member of connector to make electrical contact, capsulated in housing.

## 3.2 Housing:

Housing is an electrically insulating, plastic component member of connector to capulate contacts in its cavities. Cap housing that capsulate tab contacts, and plug housing that capsulate receptacle contacts, are available.

## 3.3 Rubber Plug:

Rubber plug is an attachment rubber plug, used on the wire next to wire crimp of tab contact and receptacle contact to provide water-tight sealing of connector assembly.

## 3.4 Cavity Plug:

Cavity plug is a cavity filler to protect cavity when it is not in use.

## 3.5 Seal Ring:

Seal ring is a component part attached on plug housing to provide water-tight connection between cap housing, when the housings are mated.

## 3.6 Connector Assembly:

Connector assembly is an assembly, consisting of housing, with wire-crimped contacts filled in all or partial cavity positions and furnished with all component parts required to provide water-tight connector functions. Cap connector assembly containing tab contacts, and plug connector containing receptacle contacts and being equipped with seal ring, are available.

**4. Material and Finish :**

## 4.1 Contact:

Contact shall be made of brass or pre-tinned brass or plain brass with selective gold plating over nickel underplate, conforming to Copper Alloy No. 260 of ASTM B 36, or pre-tinned phosphor bronze or plain phosphor bronze with selective gold plating over nickel underplate.

## 4.2 Housing:

Housing shall be made of molded, heat-resistant 6/6 Nylon resin or polybutylene terephthalate resin (PBT).

## 4.3 Rubber Plug:

Rubber plug shall be made of nitrile butadiene rubber (NBR).

4.4 Cavity Plug:  
Cavity plug shall be made of nitrile butadiene rubber (NBR).

4.5 Seal Ring:  
Seal ring shall be made of nitrile butadiene rubber (NBR).

**5. Product Design Feature, Construction and Dimensions :**

5.1 Contact:  
Contact design feature, construction and dimensions shall be conforming to the applicable customer product drawings. All tab contacts and receptacle contacts shall be mated regardless of the wire sizes applied.

5.2 Housing:  
Product design feature, construction and dimensions shall be conforming to the applicable customer product drawings. Housings shall be provided with polarization and locking mechanism with contact insertion entry guide.

5.3 Rubber Plug:  
Product design feature, construction and dimensions shall be conforming to the applicable product drawings.

5.4 Cavity Plug:  
Product design feature, construction and dimensions shall be conforming to the applicable product drawings.

**6. Performance Rating :**

6.1 Temperature Rating:  
Temperature rating of the connector assemblies shall be within the range of  $-30^{\circ}\text{C}$  and  $105^{\circ}\text{C}$ , including the temperature rising resulted from the energized operation effect in addition to the ambient temperature.

6.2 Applicable Wire Size:

The wires of the following sizes, shall be used for terminating the subject product connectors.

Part Number		Applicable Wire Size (mm <sup>2</sup> )	Insulation Diameter (mm)
Contact	Rubber Plug		
171630 171631	172746 178210 900324 2822352 2822356	AV or AVS Wire 0.2, 0.3 or 0.5 mm <sup>2</sup> One-wire Crimp	1.4 – 2.4
171661 171662	172888 176886 900325 2822354 2822355	AV or AVS Wire 0.5, 0.85 or 1.25m mm <sup>2</sup> One-wire Crimp	2.0 – 2.6
171632 171633	172747 2822353	AV or AVS Wire 1.25, 2.0 or 3.0 mm <sup>2</sup> One-wire Crimp	2.5 – 4.1

Notes : AV Wire = Low voltage wires and cables for automobiles per JIS C 3406 (Vinyl-insulated)

AVS Wire = Low voltage wires and cables for automobiles with thin wall insulation which have been predominantly used for automobile harness wiring according to the weight reduction trends of recent automobile industry. Specification has been not established as the end of 1983, quality being equivalent to AV wires.

7. **Performance Requirements and Test Methods :**

When the products are tested in accordance with the test methods specified in Paragraph of 7.2, in accordance with the test sequence specified in Paragraph 7.3, the requirements specified in Table 3 shall be met.

7.1 Summary of Requirements:

Test Items (Paragraph Number of Test Methods)	Performance Requirements of Contact (Initial)	Performance Requirements of Connector						
		Initial				Final		
Appearance (Para. 7.2.1)	Connector shall appear normal without evidence of defects such as cracks, damages and breakage, loose and loss of component parts, rust and fusion that are detrimental to connector functions.							
Insertion Force of Contact or Connector (Para. 7.2.2)	.070 : 2.94 – 7.85N .250 : 6.86 – 14.7N	Pos.	2	3	4	6	13	15
		N Max.	49	58.8	68.6	78.5	127	137
Extraction Force of Contact or Connector (Para. 7.2.3)	.070 : 2.94 – 7.85N .250 : 5.88 – 13.7N	Pos.	2	3	4	6	13	15
		N Max	39.2	49	68.6	78.5	127	137
Termination Resistance (Low Level) (Para. 7.2.4)	/	3.0 mΩ max.				10.0 mΩ max.		

Table 3 (To be continued)

7.1 (Continued):

Test Items (Paragraph Number of Test Methods)	Performance Requirements of Contact (Initial)		Performance Requirements of Connector		
			(Initial)	(Final)	
Termination Resistance (Para. 7.2.5)	/		3mV/A max.	10mV/A max.	
Insulation Resistance (Para. 7.2.6)			100MΩ min.		
Dielectric Strength (Para. 7.2.7)			Connector shall appear normal without showing evidence of abnormalities.		
Handling Touch of Connector Insertion / Extraction (Para. 7.2.8)	No obstruction shall be felt tactually during insertion / extraction of contacts and connectors.				
Crimp Tensile Strength (Para. 7.2.9)	Wire Size		/		
	mm <sup>2</sup>	(AWG)			Tensile Strength
					N Min.
	0.2	(#24)			68.6
	0.3	(#22)			78.5
	0.5	(#20)			88.3
	0.85	(#18)			127.0
	1.25	(#16)			177.0
2.0	(#14)	265.0			
3.0	(#12)	294.0			
Contact Retention Force (Para. 7.2.10)	/		78.5N min.		
Housing Retention Force (Para 7.2.11)			98.1N min.		
Water-tight Sealing (Para. 7.2.12)	/		49KPa(49mN/mm <sup>2</sup> ) Min.	29.4KPa(29.4mN/mm <sup>2</sup> ) Min.	
Heat Resistivity (Para. 7.2.13)			Performance requirements for each test item shall be met when tested environmentally and durability in the sequence specified in Table 5.		
Cold Resistivity (Para. 7.2.14)					
“Kojiri” Resistivity (Para. 7.2.15)					
Cleaning Solvent Resistivity (Para. 7.2.16)					
Oil Resistivity (Para. 7.2.17)					
Ozone Resistivity (Para. 7.2.18)					
Weather Aging (Para. 7.2.19)					
Dust Bombardment (Para. 7.2.20)					

Table 3 (To e continued)

7.1 (Continued II)

Test Items (Paragraph Number of Test Methods)	Performance Requirements of Contact (Initial)	Performance Requirements of Connector	
		(Initial)	(Final)
Temperature Rising (Para. 7.2.21)	/	Performance requirements for each test item shall be met when tested environmentally and durably in the sequence specified in Table 5.	
Water Splash (Para. 7.2.22)			
Current (Para. 7.2.23)			

Table 3 (End)

7.2 Test Methods:

7.2.1 Appearance:

Visually and tactually inspect the product samples for evidence of abnormalities such as cracks, damages, breakage, loose and loss of component parts, rust, fusion and deformation that are detrimental to connector functions.

7.2.2 Insertion Force of Contact or Connector:

Securely fasten one of the mating pair of contacts or connector assemblies on the head of tensile testing machine, and apply an axial push-in load to the counterpart contact or connector to mate them together, by operating the head to travel with the speed at a rate of 100mm approximately a minute. The force required to mate the samples without locking mechanism set in effect, shall be measured and recorded.

7.2.3 Extraction Force of Contact or Connector:

Securely fasten one of the mated pair of contacts or connector assemblies on the head of tensile testing machine, and apply an axial pull-off load to the free end of the mated samples to separate them by operating the head to travel with the speed at a rate of 100mm approximately a minute. The force required to extract without locking leg set in effect, shall be measured and recorded.

7.2.4 Termination Resistance (Low Level):

Mated pair of contacts or connectors shall be tested by applying closed circuit test current of 50mA max. at open circuit voltage of 50mV max. in the test circuit as shown in Fig.1. Measure the millivolt drop of the circuit by probing across the points 75mm apart from the wire crimps each side (Y - Y' in Fig.1). Low level termination resistance shall be obtained by calculation after deducting the resistance of the totally 150mm long wires used for the termination. Measurement shall be done one position after one, respectively.

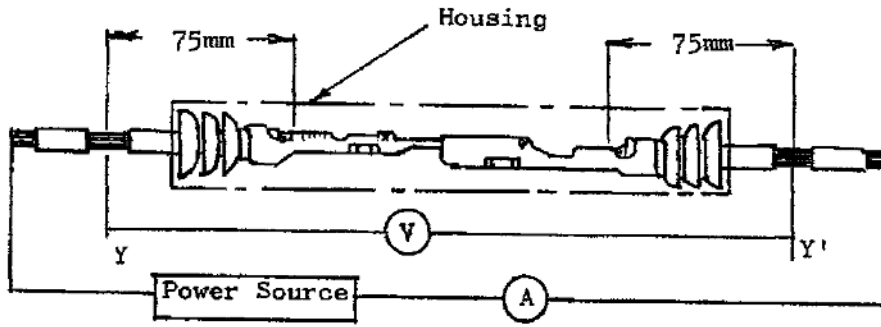


Fig. 1

7.2.5 Termination Resistance:

Mated pair of contacts or connectors shall be tested by applying closed circuit test current of 1A at open circuit voltage of 12V DC in the test circuit as shown in Fig. 1. Measure the millivolt drop of the test circuit after the temperature of the circuit becomes stabilized, by probing across the points 75mm apart from the wire crimps each side (Y - Y' in Fig.1). Termination resistance shall be obtained by calculation after deducting the resistance of totally 150mm long wires used for the termination. Measurement shall be done one position after one respectively. To facilitate uniform current flow on the wires, solder must be applied to the probing points with sufficiently long removal of wire insulation.

7.2.6 Insulation Resistance:

Mated pair of connectors shall be tested for insulation resistance, with all the contacts series wired as shown in Fig.2. Test potential of 500V DC shall be applied between the adjacent contacts and between the contacts and the ground. Measure the insulation resistance by using insulation megohmmeter.

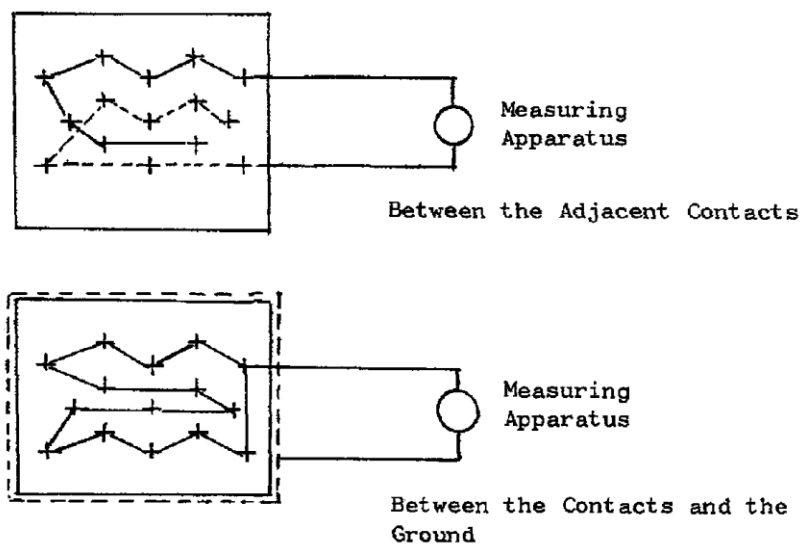


Fig. 2



**7.2.7 Dielectric Strength:**

Mated pair of connectors shall be tested by applying test potential of 1000V AC with commercial frequency between the adjacent contacts that are series wired as shown in Fig.2. The test potential shall be kept for 1 minute.

**7.2.8 Handling Touch of Connector Insertion / Extraction:**

Check handling touch of connector if obstruction is felt during insertion / extraction assembly operation, by manually inserting and extracting repeatedly.

**7.2.9 Crimp Tensile Strength:**

A 100mm long wire crimped contact shall be securely fastened on the head of tensile testing machine, and apply an axial pull-off load to the wire by operating the head to travel with the speed at a rate of 100mm approximately a minute. Crimp tensile strength is determined when the wire is broken or is pulled out of the wire crimp. Measure and record the force required to separate the wire from the wire crimp.

**7.2.10 Contact Retention Force:**

Load the contact in housing cavity that is crimped on a 100mm long, 0.85mm<sup>2</sup> (#18 AWG) or greater wire. Then, securely fasten the contact-loaded connector on the tensile testing machine, and apply an axial pull-off load to the end of crimped wire by operating the head to travel with the speed at a rate of 100mm approximately a minute. The force required to dislodge the contact from the loaded contact position shall be measured and recorded.

**7.2.11 Housing Retention Force:**

Mate the contact-loaded connectors with the locking mechanism set in effect, and fasten one of the connectors on the tensile testing machine. Then, apply an axial pull-off load to separate them to the counterpart connector uniformly by operating the head to travel with the speed at a rate of 100mm approximately a minute. The force required to separate the connectors with or without disengagement or breakage of locking mechanism.

**7.2.12 Water-tight Sealing:**

Suspend the assembled connector in the tap water in the tub immersingly, as shown in Fig.3. With the tub chamber closed, blow compressed air into it until inside pressure reaches to 9.8Kpa (9.8mN/mm<sup>2</sup>) and keep the pressure level for 1 minute. If the connector withstands the pressure without showing signs of water leakage into housing, increase the pressure level by the steps of graduation of 9.8Kpa (9.8mN/mm<sup>2</sup>) each time.

The circuitry of the testing connector shall be monitored for current leakage by applying the test current of 12V during the pressure elevation.

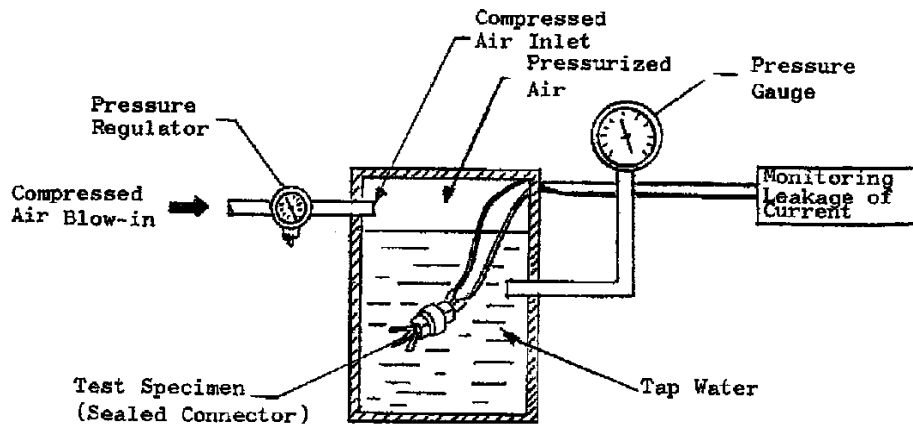


Fig. 3

7.2.13 Heat Resistivity:

Expose mated pair for connectors under the elevated temperature of  $120 \pm 2^\circ\text{C}$  in the test oven for 120 hours. After completion of test duration, take out of the oven and recondition the sample in the room temperature.

7.2.14 Cold Resistivity:

Expose mated pair of connectors under the frozen temperature of  $-50 \pm 5^\circ\text{C}$  for 120 hours in the test chamber. After completion of the test duration, take out of the chamber, and recondition the sample in the room temperature.

7.2.15 "Kojiri" Resistivity:

Apply one cycle each of reciprocating, twisting and bending torque force of  $196\text{N}\cdot\text{cm}$  (T) to free-end side of mated connectors with the counterpart connector securely fastened on the testing fixture. The torque shall be applied at every 1mm depth in unmating way until the connectors are separated. Making one separation a cycle, repeat the motion for 25 cycles for front-rear direction of the connectors. After one-direction movement cycles are completed, apply the forcing motion in the same manner to the right-left direction of the mated pair of the connectors, for another 25 cycles.

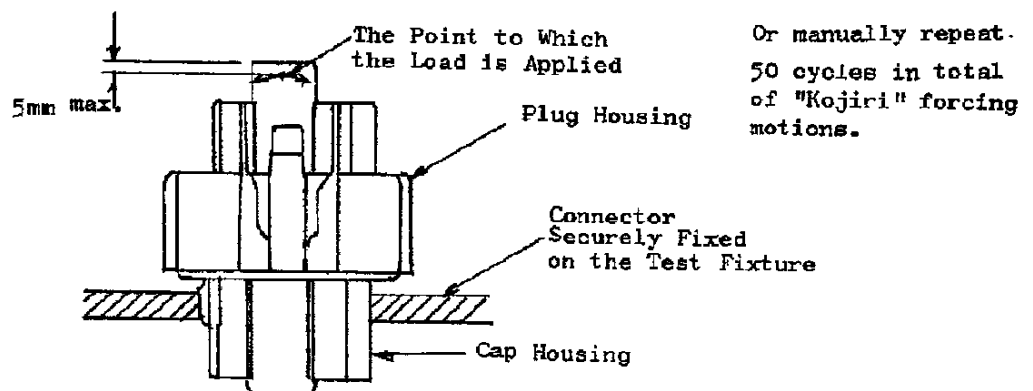


Fig. 4

This method may be manually simulated by repeating insertion / extraction with Kojiri movement by hand.

**7.2.16 Cleaning Solvent Resistivity:**

Immerse assembled connector in commercially available solvent for cleaning automobile front-shield glass which is controlled at  $50\pm 2^{\circ}\text{C}$  for 1 hour. After the test duration, the sample connector shall be rinsed in tap water for 5 minutes, and dried in the room temperature without aid of powered ventilation.

**7.2.17 Oil Resistivity:**

Mated pair of connectors shall be tested by immersing into the following kinds of test oil, in the sequence stated below.

1.	Engine Lubricant oil conforming to SAE 10W or equivalent.	50°C for 1 hour
2.	Kerosene at room temperature for cleaning.	for 5 minutes
3.	Gasoline conforming to JIS K 2202 or equivalent, at room temperature.	for 1 hour
4.	Drying in the room temperature	as required

**7.2.18 Ozone Resistivity:**

Mated pair of connectors shall be exposed under the ozone atmosphere of  $50\pm 5\text{pphm}$  for 24 hours in accordance with JIS K 6301 Para.16. After the test duration, the sample shall be taken out from the test chamber, and reconditioned in the room temperature. The chamber shall be kept at  $40\pm 2^{\circ}\text{C}$ . The tested condition of cracking on rubber parts shall be recorded in accordance with Para. 16.6 of JIS K 6301.

**7.2.19 Weather Aging (Accelerated Aging Test by using Weathermeter):**

Mated pair of connectors shall be tested for 150 hours in accordance with sunshine carbon weathermeter in accordance with the method specified in Para. 5.4 (WAS – IS) of JIS D 0205, in the temperature at  $63\pm 3^{\circ}\text{C}$ . The tested condition of cracking on rubber parts shall be recorded in accordance with Para. 16.6 of JIS K 6301.

**7.2.20 Dust Bombardment:**

Hang mated pair of connectors in the middle of closed test chamber whose three dimensions are 1,000mm respectively ( $1\text{m}^3$  capacity), where the connector assemblies are subject to undergo dust bombardment testing by ejecting 1.5kg of Portland Cement or dust particles of Kanto Loam Layers with the use of powered blower fan to disperse within the chamber at a rate of 10 seconds once every 15 minutes totally for 1 hour. The sample connector shall be placed at the place 150mm apart from the chamber wall. After the test duration, connectors shall be inserted and extracted for 3 cycles.

Note: Kanto Lam Layers = Volcanic soil layers typically found in the eastern areas of Mt. Fuji, extending to cover up to near Tokyo in Kanto District, Japan.

7.2.21 Temperature Rising:

All .070 and .250 contacts are series wired into two separate circuits in segregation by contact sizes respectively, and apply test current of the intensity obtained from the calculation by using coefficient factors specified in Table 4 until the temperature rising becomes stabilized. Measurement shall be done by probing the temperature on the surface of contact wire crimp. The test shall be done in the draft-free test chamber.

Wire Size	Test Current A (DC)
0.2 mm <sup>2</sup>	7.0
0.3 mm <sup>2</sup>	9.0
0.5 mm <sup>2</sup>	11.0
0.85 mm <sup>2</sup>	14.5
1.25 mm <sup>2</sup>	18.5
2.0 mm <sup>2</sup>	25.0
3.0 mm <sup>2</sup>	34.0

Table 4a & 4b

No. of Pos.	Reduction Coefficient
1	1
2 – 3	0.75
4 – 5	0.6
6 – 8	0.55
9 – 12	0.5
13 and over	0.4

Note: Applicable intensity of the test current can be obtained by calculation of the specified test current for each wire size multiplied by the reduction coefficient.

7.2.22 Water Splash:

Hang the test sample in the test chamber and expose under the elevated atmosphere of  $120 \pm 3^{\circ}\text{C}$  for 40 minutes, immediately after this, followed by undergoing water splash conditioning by sprinkling water having temperature of normal atmosphere for 20 minutes. Making this a cycle, repeat 48 cycles of the test in accordance with the test method specified in Para. S1 of D 0203.

During the test, the test current of 12V shall be applied between the contacts, and circuits shall be monitored and current leakage shall be recorded. For this test, the length of the lead shall be 2 meters with the end of which to be placed outside of the chamber.

7.2.23 Current-loaded Vibration:

All .070 and .250 contacts are series-wired into two separated circuits in segregation by contact sizes respectively, and fasten the connectors loaded with the crimped contacts on the vibration testing machine as shown in Fig.5. Testing shall be done by applying vibration having accelerated velocity of  $44\text{m/s}^2$  (4.5G) 's in sweeping vibration changing in the range of 20–200Hz at a rate of one reciprocation cycle every 3 minutes. The vibratile conditioning shall be applied to “X” axis for 30 hours, to “Y” axis for 30 hours and to “Z” axis for 40 hours. At the end of vibration for one axis, termination resistance (low level) shall be measured. During vibration, test current obtained from the calculation in the same manner specified in Para.7.2.21 shall be applied with intervals for 100 cycles, each cycle consisting of 45 minutes “ON” and 15 minutes “OFF”.

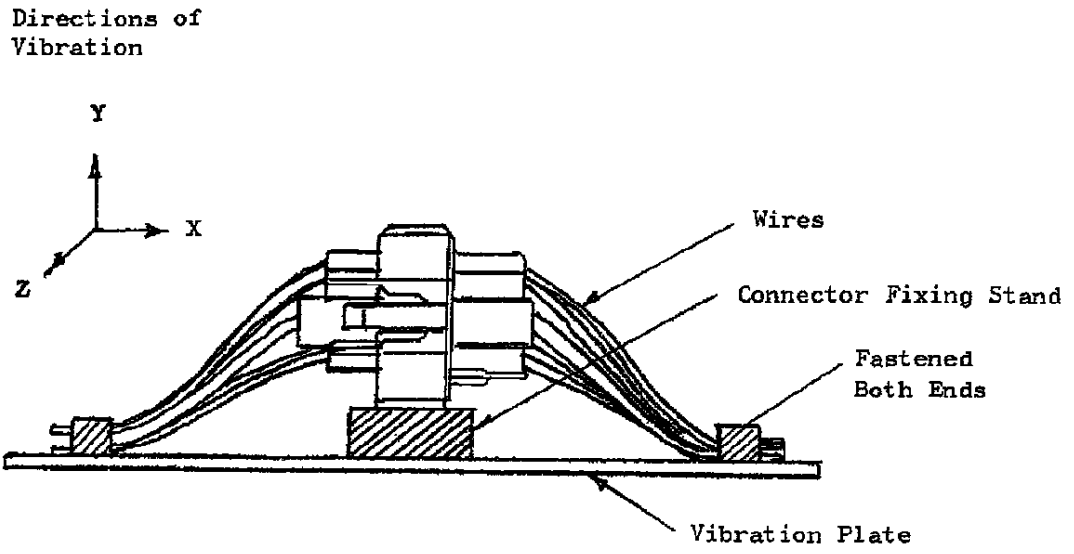


Fig. 5

7.3 Test Sequence:

All the tests shall be performed in the sequence specified in Table 5.

Classification	Test Sequence																								
	Con-tact		Connector																						
Sample Groups	I	II	I				II				III		IV				V		VI		VII		VIII		
Test Item	I	II	I	II	III	IV	V	VI	VII	VIII	IX	X	XI	XII	XIII	XIV	XV	XVI	XVII	XVIII	XIX	XX			
Appearance (Confirmation of Products)	1	1	1	1					1				1				1			1	4	1	4		
Contact or Connector Insertion Force	2			2				10																	
Contact or Connector Extraction Force	3				4			11																	
Termination Resistance (Low Level)					3	6	8						2	5	7	9						2	5	2	5
Termination Resistance								2	5								2	5	7						
Water-tight Sealing							9									11		8		3		6		6	
Insulation Resistance													3			10									
Dielectric Strength									4																
Handling Touch of Connector Insertion and Extraction																	3								
Contact Retention Force			2																						
Housing Retention Force								12																	
Heat Resistivity					5																				
Cold Resistivity						7																			
Water Splash																				2					
“Kojiri” Resistivity																	4								
Crimp Tensile Strength		2																							
Current-Loaded Vibration																		6							
Cleaning Solvent Resistivity													4												
Oil Resistivity														6											
Ozone Resistivity																					3				
Weather Aging																							3		
Dust Bombardment														8											
Temperature Rising									3																

Table 5

Note: The numbers in the columns indicate the sequence in which the tests are performed.

**8 Quality Assurance Provisions :**

**8.1 Test Conditions:**

Unless otherwise specified, all the tests shall be performed in any combination of the following test conditions.

Temperature	15 – 35°C
Relative Humidity	45 – 75%
Atmospheric Pressure	86.7 – 107KPa (650 – 800mmHg)

Table 6

**8.2 Qualification Testing:**

**8.2.1 Sample Preparation:**

All the samples to be employed for the tests, shall be prepared in accordance with TE Application Specification, 114-5082, Crimping ECONOSEAL “J” MARK II Connector Contacts, by using the wires of the sizes specified in Table 7.

Unless otherwise specified, no sample shall be reused for the tests.

**8.2.2 Number of the Samples:**

Each group of the sample contacts shall consist of more than 10 sets of prepared contacts, and connector sample group shall consist of more than 2 sets of assembled connectors.

**8.2.3 Applicable Wires:**

For termination of the sample contacts to be used for the tests, the wires of the following sizes shall be used.

Wire Size		Strand Composition		Calculated Cross-sectional Area of Conductor		Remarks
Nominal mm <sup>2</sup>	(AWG)	Diameter of a Strand	No. of Strands	mm <sup>2</sup>	CMA	
0.2	(#24)	0.20	7	0.22	434	JIS C 3406 Wires and Cables for Auto mobiles (AV Wires & AVS Wires with Thin Insulation Wall)
0.3	(#22)	0.26	7	0.37	733	
0.5	(#20)	0.32	7	0.56	1,111	
0.85	(#18)	0.32	11	0.88	1,746	
1.25	(#16)	0.32	16	1.29	2,540	
2.0	(#14)	0.32	26	2.09	4,127	
3.0	(#12)	0.32	41	3.30	6,508	

Table 7

**9 Application and Handling :**

## 9.1 Crimping and Handling:

All the wire crimping and handling shall be done moderately in conformance with the procedures and workmanship evaluation levels specified in TE Application Specification 114-5082, Crimping of ECONOSEAL "J" MARK II, Combination, 15-position Connector Contacts.

Harness assembly operation and extraction / loading of contacts to and from the housing must be done according to the instructions provided in the customer manual CM-229J.

**10 Reference Documents :**

JASO D 605	Multi-Position Connectors for Automobiles
JASO D 7101	Test Methods for Plastic Molded Component Parts
JIS C 3406	Low Voltage Cables for Automobiles
JIS D 0203	Method of Moisture, Rain and Spray Test for Automobile Parts
JIS D 0204	Method of High and Low Temperature Test for Automobile Parts
JIS D 1601	Vibratile Testing Method for Automobile Parts
JIS D 0205	General Rules of Weatherability for Automobile Parts
JIS K 6301	Physical Testing Methods for Vulcanized Rubber
JIS K 2202	Motor Gasoline
114-5082	Application Specification, Crimping of ECONOSEAL "J", MARK II, .070/.250 Combination, 15-Position Connector Contacts
CM-229J	Customer manual
501-5035	Qualification Test Report



1. 適用範囲 :

本規格はエコノシール “J”- IIコネクタについて規定する。

2. 製品型番 :

第 1 表

型 番		名 称
171630, 171662		.070 シリーズ・リセプタクル・コンタクト
171631, 171661		.070 シリーズ・タブ・コンタクト
NBR フタル酸含有 172746 172888 178210 176886	NBR フタル酸フリー 2822352 2822354 2822356 2822355	.070 用ラバープラグ
900324 シリコン 900325 シリコン		
NBR フタル酸含有 172748	NBR フタル酸フリー 2822357	.070 用キャビティープラグ
171632		.250 シリーズ・リセプタクル・コンタクト
171633		.250 シリーズ・タブ・コンタクト
NBR フタル酸含有 172747	NBR フタル酸フリー 2822353	.250 用ラバープラグ
NBR フタル酸含有 172749	NBR フタル酸フリー 2822358	.250 用キャビティープラグ
173090		.070 シリーズ 2 極プラグ・ハウジング・アッセンブリ
173063		.070 シリーズ 2 極キャップ・ハウジング
NBR フタル酸含有 173091	NBR フタル酸フリー 2822366	.070 シリーズ 3 極プラグ・ハウジング・アッセンブリ
173065		.070 シリーズ 3 極キャップ・ハウジング
173914		.070 シリーズ 4 極プラグ・ハウジング・アッセンブリ
173915		.070 シリーズ 4 極キャップ・ハウジング
NBR フタル酸含有 173891	NBR フタル酸フリー 2822386	.070 シリーズ 13 極プラグ・ハウジング・アッセンブリ
173892		.070 シリーズ 13 極キャップ・ハウジング

### 3. 用語の意味 :

- 3.1 コンタクト ; コネクタの構成部品である接触子をいう。
- 3.2ハウジング ; コネクタの構成部品であるコンタクトを収容するものをいう。  
これにはタブコンタクトを収容するキャップハウジングとリセプタクルコンタクトを収容するプラグハウジングがある。
- 3.3 ラバープラグ ; 防水性を得る目的でタブコンタクト及びリセプタクルコンタクトの電線側に装着されるゴムをいう。
- 3.4 キャビティープラグ ; 2 極以上のコネクタの場合、コンタクトを使用しない極数のハウジングゴム栓穴に埋め込んで使用されるものをいう。
- 3.5 シールリング ; プラグハウジングに装着されており、キャップハウジングと嵌合した時両者との間で防水性を得る目的で使用されるものをいう。
- 3.6 コネクタ ; ゴム栓を装着した電線を圧着し、ハウジングに全極アッセンブリしたものをいう。  
これにはタブコンタクトをアッセンブリしたキャップハウジングとリセプタクルコンタクト及びシールリングをアッセンブリしたプラグハウジングがある。

### 4. 使用材料・表面処理 :

- 4.1 コンタクト ; ASTM B 36 COPPER ALLOY 260 に準拠する黄銅条及び錫めっき付黄銅条及び全面ニッケル下地めっき付部分金めっきが施された黄銅条又は錫めっき付りん青銅条及び全面ニッケル下地めっき付部分金めっきが施されたりん青銅条より製造される。
- 4.2 ハウジング ; 耐熱 66 ナイロン樹脂又はポリプロチレン・テレフタレート(PBT)樹脂より製造される。
- 4.3 ラバープラグ ; ニトリルゴム(NBR)より製造される。
- 4.4 キャビティープラグ ; ニトリルゴム(NBR)より製造される。
- 4.5 シールリング ; ニトリルゴム(NBR)より製造される。

### 5. 形状・構造及び寸法 :

- 5.1 コンタクト ; 形状、構造及び寸法は該当する図面に合致していること。すべてのタブ・コンタクトとリセプタクルコンタクトは適用電線範囲に関係なく相互に嵌合できる。
- 5.2 ハウジング ; 形状、構造及び寸法は該当する図面に合致していること。誤嵌合防止機構、ハウジング相互のロック機構及びコンタクト挿入ガイドを有する。
- 5.3 ラバープラグ ; 形状、構造及び寸法は該当する図面に合致していること。
- 5.4 キャビティープラグ ; 形状、構造及び寸法は該当する図面に合致していること。

6. 使用条件 :

6.1 使用温度範囲

-30~105°C(周囲温度+通電による温度上昇)

6.2 適用電線範囲

第 2 表

型番		適用電線範囲 (mm <sup>2</sup> )	絶縁被覆外径 (mm)
コンタクト	ラバープラグ		
171630 171631	172746 178210 900324 2822352 2822356	AV 及び AVS 0.2、0.3、0.5 の一本圧着	1.4~2.4
171661 171662	172888 176886 900325 2822354 2822355	AV 及び AVS 0.5、0.85、1.25 の一本圧着	2~2.6
171632 171633	172747 2822353	AV 及び AVS 1.25、2、3 の一本圧着	2.5~4.1

※薄肉自動車電線 (AVS)

7 性能及び試験方法 :

第 7.2 項 (試験方法) 及び第 7.3 項 (試験順序) に基づき試験した結果、第 3 表の性能を満足すること。

第 3 表

項目	試験方法	コンタクトの性能		コネクタの性能						
		初期性能		初期性能		耐久・環境試験後の性能				
外観	7.2.1	亀裂、割損、破損、がた、部品のはずれ、錆び、溶解等で機能を損う欠点のないこと。								
コンタクト又はコネクタの挿入力	7.2.2	.070 シリーズ; 2.94-7.85N	極数	2	3	4	6	13	15	
		.250 シリーズ; 6.86-14.7N	N 以下	49	58.8	68.6	78.5	127	137	
コンタクト又はコネクタの引抜力	7.2.3	.070 シリーズ; 2.94-7.85N	極数	2	3	4	6	13	15	
		.250 シリーズ; 5.88-13.7N	N 以下	39.2	49	68.6	78.5	127	137	
ローレベル抵抗	7.2.4	/			3mΩ 以下			10mΩ 以下		
総合抵抗	7.2.5				3mV/A 以下			10mV/A 以下		
絶縁抵抗	7.2.6				100MΩ 以上					
耐電圧	7.2.7				異常なきこと					
挿抜のフィーリング	7.2.8	有害な引掛り等のないこと								
圧着部引張強度	7.2.9	0.2mm <sup>2</sup> -68.6N 以上		/						
		0.3mm <sup>2</sup> -78.5N 以上								
		0.5mm <sup>2</sup> -88.3N 以上								
		0.85mm <sup>2</sup> -127.0N 以上								
		1.25mm <sup>2</sup> -177.0N 以上								
		2.0mm <sup>2</sup> -265.0N 以上								
3.0mm <sup>2</sup> -294.0N 以上										

項目	試験方法	コネクタの性能	
		初期性能	耐久・環境試験後の性能
コンタクト保持力	7.2.10	78.5N 以上	
ハウジング保持力	7.2.11	98.1N 以上	
シール性	7.2.12	49Kpa 以上 (49mN/mm <sup>2</sup> )	29.4Kpa 以上 (29.4mN/mm <sup>2</sup> )
耐熱性	7.2.13	第 5 表に示す順序で耐久・環境試験を行ったとき性能を満足すること。	
耐寒性	7.2.14		
耐こじり性	7.2.15		
耐洗剤性	7.2.16		
耐油性	7.2.17		
耐オゾン性	7.2.18		
耐候性	7.2.19		
耐塵性	7.2.20		
温度上昇	7.2.21		
散水	7.2.22		
複合環境	7.2.23		

## 7.2 試験方法

### 7.2.1 外観

外観を目視及び感触により観察し、有害な亀裂、割損、がた、部品のはずれ、錆、溶解及び変形等の有無を確認する。

### 7.2.2 コンタクト又はコネクタの挿入力

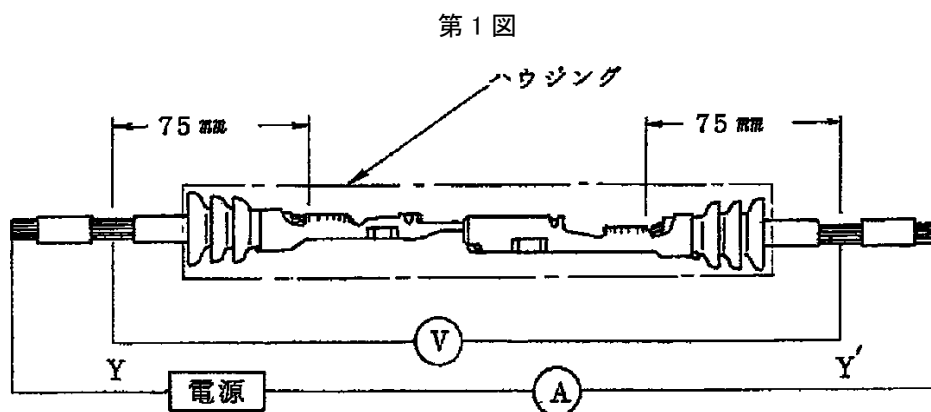
コンタクト又はコネクタの一方を固定し、他方を軸方向に毎分約 100mm の一定速度で操作する。  
なお、ハウジングのロック機構は作用させて行う。

### 7.2.3 コンタクト又はコネクタの引抜力

コンタクト又はコネクタの一方を固定し、他方を軸方向へ毎分約 100mm の一定速度で操作する。  
なお、ハウジングのロックレグは押し下げて行う。

### 7.2.4 ローレベル抵抗

コンタクト又はコネクタを嵌合した状態で開放電圧 DC50mV 以下、短絡電流 50mA 以下を通電し、  
圧着部より 75mm 離れた点で抵抗を測定する。(第 1 図の Y-Y' 間)  
ローレベル抵抗は、Y-Y' 間の抵抗から 150mm の電線の抵抗分を差引いて算出する。  
なお、測定は 1 極ずつ行うものとする。



### 7.2.5 総合抵抗

コネクタ又はコネクタを嵌合した状態で開放電圧 DC12V、短絡電流 1A を通電しコンタクトの温度が安定した後、圧着部より 75mm 離れた点で電圧降下を測定する。(第 1 図の Y-Y'間)

総合抵抗は、Y-Y'間の電圧降下から 150mm の電線の電圧降下を差し引いて算出する。

なお、測定は 1 極ずつ行うものとする。Y-Y' 点は被覆を余分にむきとって電流密度を一様にするため、プローブをあてる電線部分に半田をもる。

### 7.2.6 絶縁抵抗

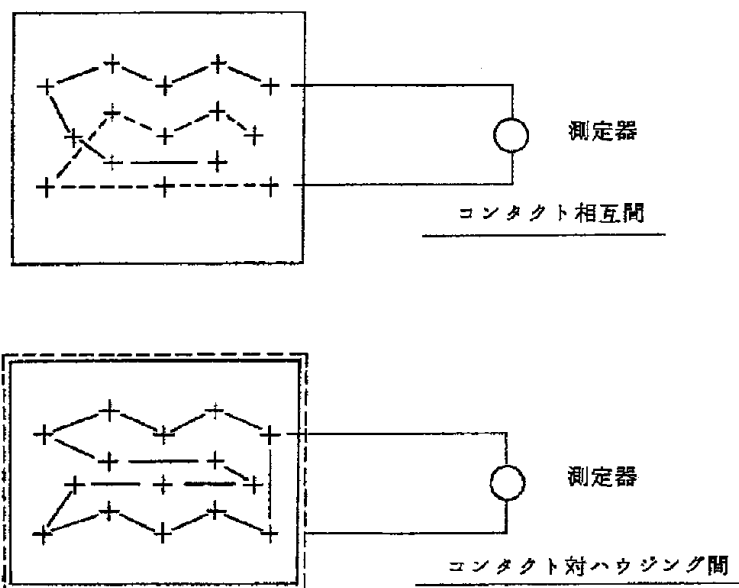
コネクタを嵌合した状態で第 2 図の如く、隣接するコンタクト相互間、及びコンタクト対ハウジング間(対アース間)を測定する。

なお、測定電圧は DC500V とする。

### 7.2.7 耐電圧

コネクタを嵌合した状態で第 2 図の如く、隣接するコンタクト相互間及びコンタクト対ハウジング間に商用周波数の AC1000V を 1 分間印加する。

第 2 図



7.2.8 挿抜のフィーリング

コンタクト又はコネクタの挿入、引抜きを手動にて行い、そのフィーリングを触感にて確認する。

7.2.9 圧着部引張強度

約 100mm の長さの電線を圧着したコンタクトを固定し、電線を軸方向に毎分約 100mm の一定速度で引張り、電線の破断又は圧着部から電線の引抜けた時の荷重を測定する。

7.2.10 コンタクト保持力

ハウジングに約 100mm の長さ、 $0.85\text{mm}^2$  以上の断面積の電線を圧着下コンタクトが組込まれたコネクタを固定し、電線を軸方向へ毎分約 100mm の一定速度で引張りコンタクトがハウジングから抜けた時の荷重を測定する。

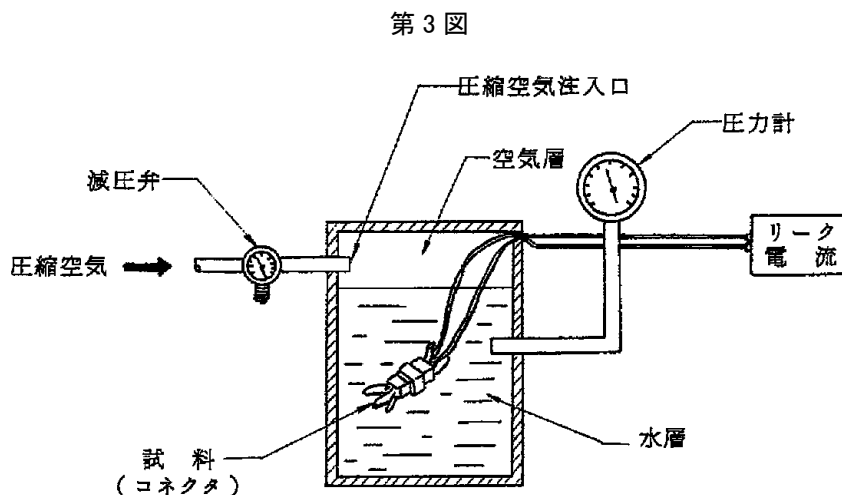
7.2.11 ハウジング保持力

コネクタを嵌合した状態で一方を固定し、他方を軸方向へ毎分約 100mm の一定速度で引張り、ロック機構外れ又は破損して嵌合の外れた時の荷重を測定する。

## 7.2.12 シール性

第 3 図に示す試験装置内の水中にコネクタを吊るし、装置内に圧縮空気を送り、9.8Kpa (9.8mN/mm<sup>2</sup>) の圧力を 30 秒間保つ。コネクタ内への浸水がなければ 9.8Kpa (9.8mN/mm<sup>2</sup>) ずつ上げていく。

試験中のコネクタ内への浸水の有無は、コネクタの各極間に 12V の電圧を印加しリーク電流を監視することにより確認する。



## 7.2.13 耐熱性

コネクタを嵌合した状態で  $120 \pm 2^\circ\text{C}$  に保たれた恒温槽に 120 時間放置し、その後取り出して常温に戻るまで放置する。

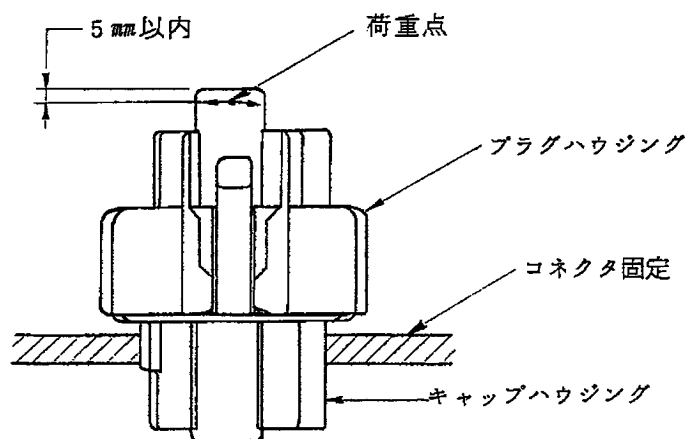
## 7.2.14 耐寒性

コネクタを嵌合した状態で  $-50 \pm 5^\circ\text{C}$  に保たれた恒温槽に 120 時間放置し、その後取り出して常温に戻るまで放置する。

## 7.2.15 耐こじり性

コネクタを引抜き時に第 4 図の如くコネクタの一方を固定し、他方を 1mm 間隔でコンタクト同士の嵌合が外れるまで引抜きながら、各段階で前後方向に 1 往復、 $196\text{N}\cdot\text{cm(T)}$  のトルクを加える。これを 1 サイクルとして 25 サイクル行う。次に左右方向も同様に 1 往復  $196\text{N}\cdot\text{cm(T)}$  のトルクを加える。これを 1 サイクルとして 25 サイクル行う。又は手指により、こじりながら 50 回挿抜を繰り返す。

第 4 図



7.2.16 耐洗剤性

50±2°Cのウォッシュ液(市販品)にコネクタを1時間浸漬し、その後水道水中に5分間浸漬したのち、自然乾燥する。

7.2.17 耐油性

コネクタを嵌合した状態で50±2°Cのエンジン油(SAE10W)又は同等品、常温のガソリン(JIS-2202)又は同等品、及び常温の白灯油を使用し、次の順序で試験を行う。

- エンジン油 1時間浸漬
- 白灯油洗浄 5分間浸漬
- ガソリン 1時間浸漬
- 自然乾燥

7.2.18 耐オゾン

コネクタを嵌合した状態で40±2°Cに保たれた密閉容器内に吊るし、JIS K 6301 第16項に基づき、オゾン濃度50±5pphm中に24時間放置後取り出し室温に放置する。  
ゴムの亀裂状態はJIS K 6301 第16.6項に基づき記録しておく。



7.2.19 耐候性

コネクタを嵌合した状態で JIS D 0205 第 5.4 項(WAN-1S)に基づきサンシャインカーボンアーク灯式耐候性試験機で 63±3℃、150 時間試験を行う。  
ゴムの亀裂状態は JIS K 6301 第 16.6 項に基づき記録しておく。

7.2.20 耐塵性

コネクタを嵌合した状態で縦横高さが 1000mm の密閉容器内に壁から 150mm 離して保持しポルトランドセメント又は関東ローム粉 1.5kg を 15 分間に 10 秒の割合で空気を吹き込み拡散させ、これを 1 時間行った後、取り出して 3 回挿抜を行う。

7.2.21 温度上昇

コネクタを嵌合した状態で全極直列に接続し(但し.070/.250 コンビネーション 15 極コネクタは.070 コンタクトと.250 コンタクトを別回路でそれぞれ直列に接続する)第 4 表より算出される電流を通電し、温度が飽和した時の端子圧着部の表面温度を測定する。この測定された温度から室温を差引いた値が 65℃以下であるかの確認を行う。なお、試験中は無風状態とする。

第 4 表

電線サイズ(mm <sup>2</sup> )	電流値(DC A)	極数	減少係数
0.2	7	1	1
0.3	9	2~3	0.75
0.5	11	4~5	0.6
0.85	14.5	6~8	0.55
1.25	18.5	9~12	0.5
2	25	13 以上	0.4
3	34		

(注)通電電流は各電線サイズに対応する電流値と減少係数との積から算出される。

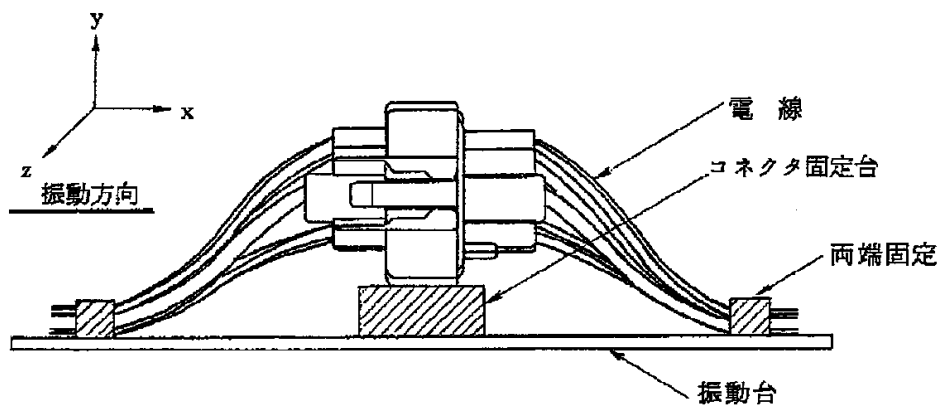
7.2.22 散水試験

コネクタを散水試験槽内に吊るし、40 分間 120±3℃の温度で加熱し、その後直ちに 20 分間常温水を散水する。これを 1 サイクルとして 48 サイクル実施する。散水条件は JIS D 0203 の S1 とする。  
試験中はコネクタの各極間に 12V の電圧を印加し、リーク電流を記録する。なお、試験を実施する時は、リードワイヤは 2m とし、試験槽の外へ出す。

7.2.23 複合環境試験

コネクタを嵌合した状態で、全極直列に接続し、第 5 図の如く、振動試験機に取付ける。振動加速度は  $44\text{m/s}^2$  (4.5G)、振動周波数は、20~200Hz を 3 分間でスイープさせる。これを X 軸 30 時間、Y 軸 30 時間、Z 軸 40 時間を 1 サイクルとして 1 サイクル行い、各方向の終了時にローレベル総合抵抗を測定する。また加振中、.070、.250 コンタクトに第 4 表より算出される電流を通電し、45 分間 ON、15 分間 OFF を 1 サイクルとして 100 サイクル行う。また雰囲気温度は  $90^\circ\text{C}$  とする。

第 5 図



7.3 試験順序

試験順序は第 5 表に示すグループ毎の順序に従って行うものとする。

第 5 表

区分	試験順序																					
	コンタクト		コネクタ																			
グループ	I	II	I	II				III	IV				V		VI	VII	VIII					
項目	I	II	I	II	III	IV	V	VI	VII	III	IV	V	VI	VII	VIII	IX						
外観	1	1	1	1				1			1			1			1	1	4	1	4	
コネクタ又は コンタクト挿入力	2			2				10														
コネクタ又は コンタクト引抜力	3				4			11														
ローレベル抵抗				3	6	8					2	5	7	9					2	5	2	5
総合抵抗								2		5				2	5	7						
シール性						9							11		8			3		6		6
絶縁抵抗											3		10									
耐電圧								4														
挿抜のフィーリング														3								
コンタクト保持力			2																			
ハウジング保持力								12														
高温放置					5																	
低温放置						7																
散水																	2					
耐こじり性														4								
圧着部引張強度		2																				
複合環境																6						
耐洗剤性											4											
耐油性												6										
耐オゾン性																			3			
耐候性																						3
耐塵性												8										
温度上昇								3														

8. 品質保証条件

8.1 試験条件

特に指定のない場合は第 6 表に示す環境条件のもとで性能試験を行うものとする。

第 6 表

温度	15～35°C
相対湿度	45～75%
気圧	86.7～107Kpa (650～800mmHg)

8.2 試験

8.2.1 試料

性能試験に用いる試料は、取付適用規格 114-5082「エコノシール “J”- II コネクタ用、.070 及び .250 シリーズコンタクトの圧着条件」に基づいて、第 7 表に示す電線に圧着した正規の試料であること。いずれの試料も規定された順序以外の他の試験に用いてはならない。

8.2.2 試料数

性能試験に用いる試験数は各グループ毎にコンタクト単体の場合 10 セット、コネクタの場合 2 セット以上で行うものとする。

8.2.3 使用電線

性能試験に用いる電線は第 7 表に示す電線にて行うものとする。

第 7 表

電線サイズ		素線構成		断面積		備考
呼び	AWG	素線径 (mm)	素線数	mm <sup>2</sup>	CMA	
0.2	#24	0.20	7	0.22	434	JIS C 3406 の自動車用電線 AV および薄肉自動車用電線 (AVS)
0.3	#22	0.26	7	0.37	733	
0.5	#20	0.32	7	0.56	1111	
0.85	#18	0.32	11	0.88	1746	
1.25	#16	0.32	16	1.29	2540	
2	#14	0.32	26	2.09	4127	
3	#12	0.32	41	3.30	6508	

---

## 9. 取扱い上の注意事項

### 9.1 圧着及び取扱い

ハウジングとコンタクトの保持性能及びコネクタの接触性能を維持する為、コンタクトの圧着は「取付適用規格 エコノシール “J”-Ⅱコネクタ用.070 及び.250 シリーズのコンタクトの圧着条件 114-5082」に基づいて作業を行うこと。

また、ハーネスの製造作業、コンタクトの引抜き方法は、「エコノシール “J”-Ⅱコネクタ取扱説明 CM-229J」に基づいて作業を行うこと。

## 10. 参考規格

JASO D 605	:	「自動車用多極コネクタ」
JASO D 7101	:	「プラスチック成形部品の試験方法」
JIS C 3406	:	「自動車用低圧電線」
JIS D 0203	:	「自動車部品の耐湿および耐水試験方法」
JIS D 0204	:	「自動車部品の高温及び低温試験方法」
JIS D 1601	:	「自動車部品振動試験方法」
JIS D 0205	:	「自動車部品の耐候性試験通則」
JIS K 6301	:	「加硫ゴム物理試験法」
JIS K 2202	:	「自動車ガソリン」
114-5082	:	エコノシール “J”-Ⅱコネクタ用.070 及び.250 シリーズのコンタクトの圧着条件
CM-229J	:	エコノシール “J”-Ⅱコネクタ取扱説明書
501-5035	:	認定試験報告書