



Single Port PoE RJ45 Connector

AR11-4709I

- 100/1000 Gigabit Base-T for Ethernet, LAN, WAN and other networking applications
- For PoE Applications. Compliant with IEEE802.3af
- DC Current/Voltage: 350mA Max @ 57VDC Continuous
- Industrial Operating Temp: -40°C to +85°C
- RJ45 Jack cavity conforms to FCC rules and regulations Part 68



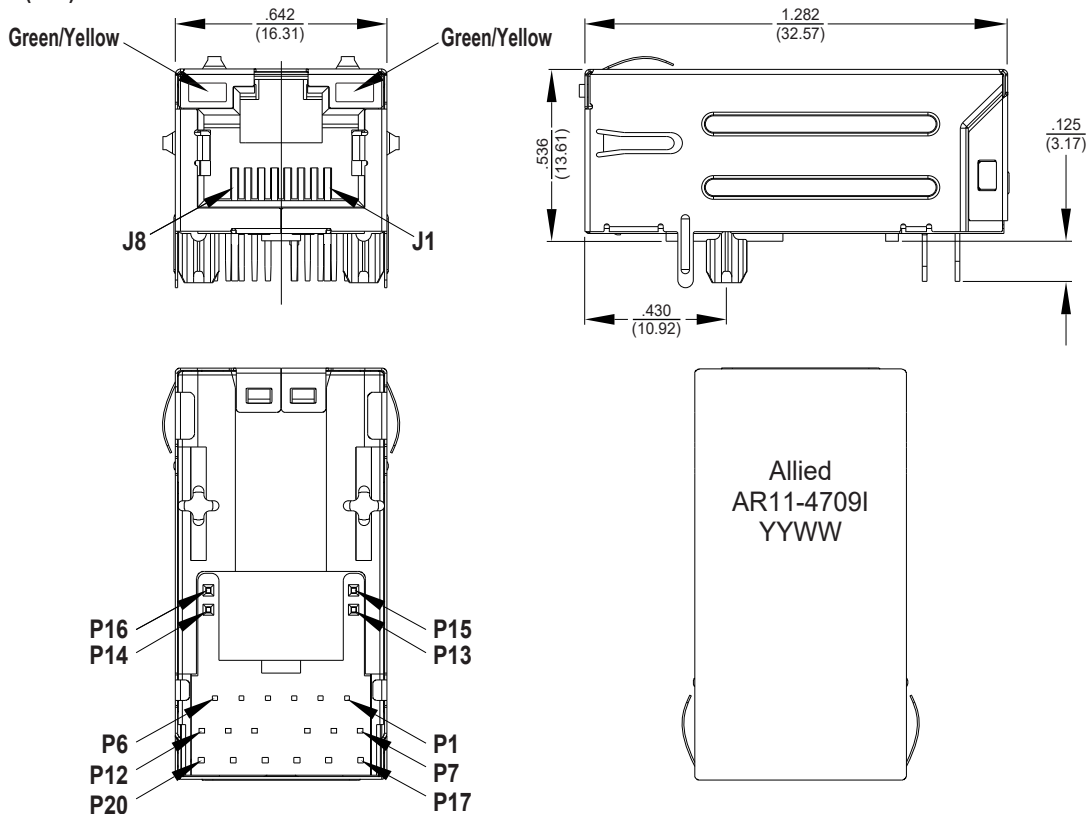
Electrical Specifications @25°C						
OCL(μH Min) @100KHz, 0.1V		Turns Ratio @100KHz (±2%)	DCR (Ω) Max	Insertion Loss (dB Max)		Isolation (VDC) PHY to Line
8mA DC BIAS	19mA DC BIAS			1-100MHz	100-125MHz	
350	120	1:1	1.2	-1.0	-1.2	2250

Electrical Specifications @25°C					
Return Loss (dB Min)				Crosstalk (dB Min) 1-100MHz	CMR (dB Min) 1-100MHz
1-40MHz	40-60MHz	60-80MHz	80-100MHz		
-16	-12	-10	-8	-30	-30

All specifications subject to change without notice.

MECHANICAL

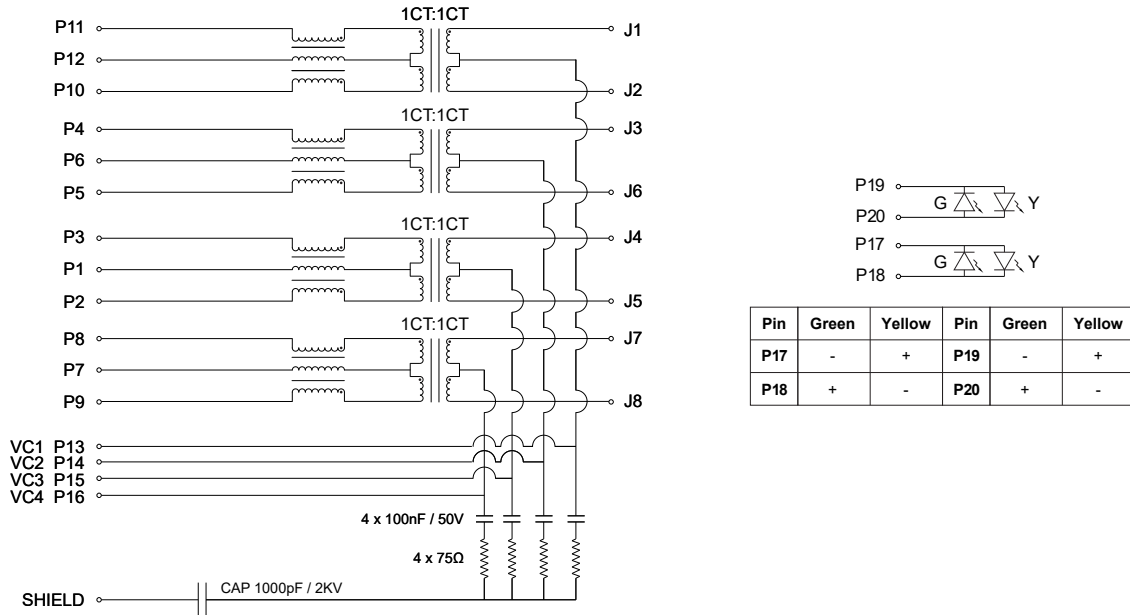
Dimensions: $\frac{\text{inch}}{\text{mm}}$



Unless otherwise specified, all dimension tolerances are ±.010 (.25mm)

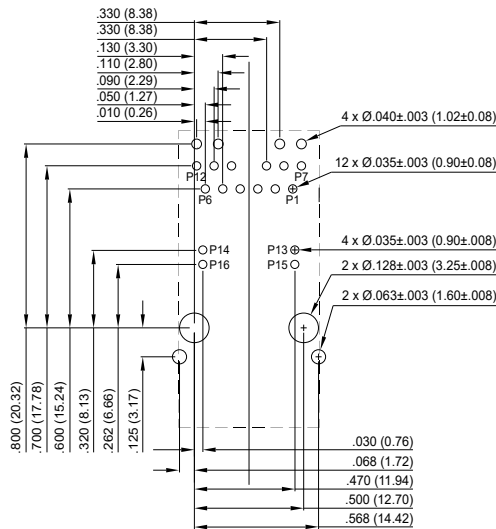


SCHEMATIC



PCB LAYOUT

Dimensions: inch (mm)



Unless otherwise specified, all dimension tolerances are ±.004 (.10mm)

NOTES

1. Connector Material:
Housing: PA66 Black UL94V-0
Shield: Brass
Shield Plating: Nickel
Contact: Phosphor Bronze
Contact Plating: Selective gold, 30µ" min in contact area
2. Pins not electrically connected may be omitted. See electrical drawing for omitted pins
3. The part is recommended for wave soldering process peak soldering temperature is 260°C Max, 10 Sec Max