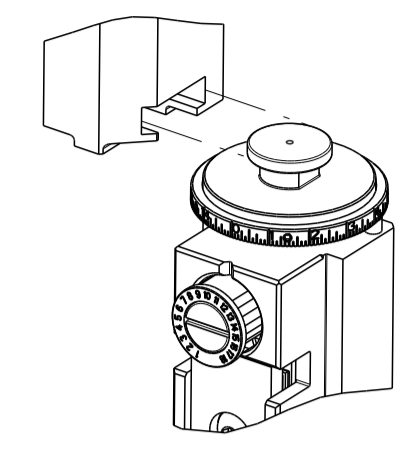


PART NUMBER	REVISION	DESCRIPTION	FEED TYPE
2151121-1	E	FINE CRIMP HEIGHT ADJUST	MECHANICAL
2151121-2	E	FINE CRIMP HEIGHT ADJUST	PNEUMATIC
5-2151121-1	E	SEAL STRIPPER CRIMPER TERMINATING UNIT	MECHANICAL
5-2151121-2	E	SEAL STRIPPER CRIMPER TERMINATING UNIT	PNEUMATIC
7-2151121-1	E	MECHANICAL AND CRIMP TOOLING KIT	MECHANICAL
7-2151121-2	E	PNEUMATIC AND CRIMP TOOLING KIT	PNEUMATIC
7-2151121-7	A	CRIMP TOOLING KIT	-

ATLANTIC VERSION TERMINATOR INTERFACE ADAPTER



APPLICATOR DATA

CRIMP	SIZE	TYPE
WIRE	2.29 mm [.090]	F
INSUL	3.68 mm [.145]	O

APPLICATOR INSTRUCTIONS 408-35042

TERMINAL DATA: TE TERMINAL TE CRIMP SPECIFICATION

TERMINAL NAME: TAB CONTACT 070 TYPE

WIRE STRIP LENGTH	TERMINAL INSULATION DIAMETER RANGE
4.00-4.50 mm [.157-.177 IN]	Ø 2.00-2.70 mm [.079-.106 IN]

TERMINAL APPLICATION SPECIFICATION 114-5082

TERMINALS APPLIED

TE TERMINAL	TE TERMINAL	TE SEAL	TE SEAL	SEAL INSULATION DIAMETER RANGE
171661-1	171661-5	172888-1	1-172888-3	2.0-2.6
171661-3	171661-2	172888-2	9-172888-2	2.0-2.6
		176886-2	176886-4	1.8-2.6
			176886-5	1.8-2.6
			1-900325-9	2.0-2.3
			347874-1	1.6-2.4

TERMINAL DATA: TE TERMINAL TE CRIMP SPECIFICATION

TERMINAL NAME: TAB CONTACT 070 TYPE

WIRE STRIP LENGTH	TERMINAL INSULATION DIAMETER RANGE
4.00-4.50 mm [.157-.177 IN]	Ø 2.00-2.70 mm [.079-.106 IN]

TERMINAL APPLICATION SPECIFICATION

TERMINALS APPLIED

TE TERMINAL	TE TERMINAL	TE SEAL	TE SEAL
171661-2			

WIRE SIZE	CRIMP HEIGHT mm [INCH]	CRIMP HEIGHT REFERENCE SETTING
1.25mm2	1.52+/-0.05 [.060+/- .002]	2.5
0.85mm2	1.37+/-0.05 [.054+/- .002]	4.0
0.50mm2	1.24+/-0.05 [.049+/- .002]	5.5

WIRE SIZE	CRIMP HEIGHT mm [INCH]	CRIMP HEIGHT REFERENCE SETTING
1.00mm2	1.37+/-0.05 [.054+/- .002]	4.0
0.75mm2	1.33+/-0.05 [.052+/- .002]	4.4



- RECOMMENDED SPARE PARTS
- REFER TO SUPPLIED INSTRUCTION SHEET FOR CLEANING, LUBRICATION AND STORAGE OF APPLICATOR.
- APPLY PART NUMBER 2-23419-6 LOCTITE TO THREADS OF ITEM 242. APPLY PART NUMBER 1-23419-5 LOCTITE TO THREADS OF ITEM 180.
- CRIMP HEIGHT REFERENCE SETTING WAS THE SETTING USED WHEN THE APPLICATOR WAS QUALIFIED AT THE FACTORY. ADJUSTMENT MAY BE NECESSARY WHEN RUNNING APPLICATOR IN THE FIELD.
- UNLESS SPECIFIED OTHERWISE TORQUE VALUES SHALL BE USED PER DOCUMENT, 101-35000.
- APPLY TORO-SEAL IN ALLEN SOCKET TO FILL HOLE AFTER FLAT HD HAS BEEN ADJUSTED TO CORRECT HEIGHT AT QUALIFICATION. APPLY #1-23419-5 LOC-TITE TO THREADS.
- THIS CRIMP PARAMETER IS PROVIDED TO MEET A CUSTOM AND UNIQUE CUSTOMER REQUIREMENT. IT HAS BEEN EVALUATED AND IS CONDITIONALLY SPECIFIED BY TE CONNECTIVITY. THIS CUSTOMIZED CRIMP PARAMETER IS NOT LISTED AS AN APPROVED APPLICATION WITHIN A TE CONNECTIVITY APPLICATION SPECIFICATION; HOWEVER, IT HAS BEEN VALIDATED ACCORDING TO TE CONNECTIVITY SPECIFICATIONS 109-18079 (TEST GROUP 1) AND 114-18022. TE CONNECTIVITY EXPRESSLY DISCLAIMS ANY AND ALL WARRANTIES THAT THE PRODUCT WILL PERFORM SIMILARLY TO VALIDATED AND APPROVED APPLICATIONS, AS STATED WITHIN TE CONNECTIVITY APPLICATION SPECIFICATIONS, INCLUDING BUT NOT LIMITED TO IMPLIED WARRANTIES OF MERCHANTABILITY OR FITNESS FOR PARTICULAR PURPOSE. AS SUCH, IT IS HIGHLY RECOMMENDED THAT THE CUSTOMER PERFORM FURTHER DETAILED EVALUATION TO ASSESS PRODUCT PERFORMANCE IN THE SPECIFIC APPLICATION.

***WARNING**
ON INSTALLATION, SET WIRE DISC TO CRIMP HEIGHT REFERENCE SETTING FOR LARGEST WIRE SIZE. CRIMP HEIGHT REFERENCE SETTINGS GREATER THAN THE VALUE SHOWN MAY CAUSE DAMAGE TO THE CRIMP TOOLING. REFER TO THE INSTRUCTION SHEET FOR PROPER SETUP AND ADJUSTMENTS.

ATLANTIC VERSION
Shown on sheets 1 of 4 & 2 of 4
(Pacific version shown on sheets 3 of 4 & 4 of 4)

LOC	DIST	REV	DATE	BY	CHK	APP'D
A	66	C2	07MAR2016	JH	JDG	
		C3	24MAY2016	KH	JDG	
		D	19AUG2018	TB	TE	
		E	09MAY2023	ROY	TIM	

REV	DATE	BY	CHK	APP'D	DESCRIPTION	ITEM NO	
-	-	-	1	1	-	1803515-3 RAM ASSEMBLY, SF ATLANTIC	293
-	-	-	1	1	-	2-1803583-1 APPLICATOR BASIC ASSEMBLY, SF	292
-	1	-	1	-	1	2119641-1 FEED CAM, AIR FEED	248
-	1	1	1	1	1	2119082-7 CAM, SNAIL, INSULATION ADJUSTMENT	244
-	1	1	1	1	1	2079764-1 WASHER, WAVE SPRING, CREST-TO-CREST	243
-	1	1	1	1	1	2119083-1 RETAINER, INSULATION DIAL	242
-	1	1	1	1	1	7-18023-7 SCR, SKT HD CAP M3 X 4.0	241
-	-	1	-	1	-	2119580-1 MECHANICAL FEED ASSEMBLY	239
-	1	-	1	-	1	2844940-1 AIR FEED MODULE	238
-	-	-	1	1	-	4-1722335-3 STRIPPER, SIDE FEED	182
-	-	-	1	1	-	1-5018030-0 NUT, HEX, REG, RoHS, M3.5	181
-	-	-	1	1	-	1-1752354-9 STANDOFF,HOLD-DOWN	180
-	-	-	1	1	-	993111-1 PIN, SLOTTED SPRING 3.0 X 20.0	177
-	-	-	1	1	-	5-22280-0 SPRING, COMPRESSION	176
-	-	-	1	1	-	1752353-3 GUIDE PIN,HOLDDOWN	175
-	-	-	1	1	-	1901680-2 GUIDE PIN,HOLDDOWN	174
-	REF	REF	REF	REF	REF	994970-2 COUNTER, MAGNETIC	164
-	1	1	1	1	1	1-18028-2 WASHER, FLAT, REG M4	119
-	1	1	1	1	1	2844908-1 SCREW, LOCKING	99
-	1	1	1	1	1	2844907-1 POST, LOCKING	98
-	1	1	1	1	1	455888-6 SPACER, CRIMPER	82
-	1	1	1	1	1	1803607-3 DOCUMENTATION PACKAGE	71
-	1	1	1	1	1	2119740-1 TAG,IDENTIFICATION	67
-	2	2	2	2	2	2168078-1 SCREW, DRIVE, RH, RoHS, 2 x .188	66
-	1	1	1	1	1	2168083-2 SCR, SKT HD CAP, RoHS, M4 X 8.0	60
-	1	1	1	1	1	5-18022-5 SCR, HEX HD CAP, M4 X 6.0	59
-	1	1	1	1	1	985575-3 SCR, FLT SKT HD CAP M3 X 10.0	57
-	1	1	1	1	1	1338685-1 PAWL, FEED	56
-	4	4	4	4	4	2168083-3 SCR, SKT HD CAP, RoHS, M4 X 12.0	54
-	2	2	2	2	2	2168083-8 SCR, SKT HD CAP, RoHS, M4 X 16	53
-	1	1	1	1	1	5018030-1 NUT, HEX, REG, RoHS, M3	52
-	1	1	1	1	1	811242-5 BUMPER, HOLD DOWN	51
-	1	1	1	1	1	690753-2 SPACER, TONKER	50
-	1	2	1	2	1	18023-9 SCR, SKT HD CAP M4 X 6.0	49
-	-	1	-	1	-	2119652-1 FEED CAM, PRE FEED	48
-	-	1	-	1	-	2119653-1 FEED CAM, POST FEED	47
-	1	1	-	1	1	1803583-9 APPLICATOR BASIC ASSEMBLY, SF	46
-	1	1	-	1	1	1803515-1 RAM ASSEMBLY, SF ATLANTIC	44
-	1	1	1	1	1	1803602-1 SCR, BHSC, RoHS (M8 X 25)	41
-	1	1	1	1	1	1752356-3 SUPPORT, TERMINAL	34
-	2	2	2	2	2	2079383-5 SCR, BHSC, RoHS (M4 X 20)	33
-	2	2	2	2	2	2-2844962-8 SPACER, CYLINDRICAL, STRIP GUIDE	30
-	1	1	1	1	1	2844992-1 ASSEMBLY, STRIP GUIDE	29
-	1	1	1	1	1	455888-1 SPACER, CRIMPER	28
-	1	1	1	1	1	1320928-2 STRIP GUIDE	24
-	1	1	-	1	1	2168083-2 SCR, SKT HD CAP, RoHS, M4 X 8.0	21
-	2	2	1	1	2	1-18028-2 WASHER, FLAT, REG M4	20
-	1	1	-	1	1	2119533-1 STRIPPER, SIDE FEED	19
-	1	1	1	1	1	2119806-1 INSERT, SHEAR	13
-	1	1	1	1	1	3-22280-3 SPRING, COMPRESSION	12
-	1	1	1	1	1	1-356885-4 STOP, SHEAR	11
-	1	1	1	1	1	2119805-1 SHEAR HOLDER, FRONT	10
-	1	1	1	1	1	318707-1 FLOATING SHEAR, FRONT	9
-	1	2	2	1	1	1333205-4 ANVIL, COMBINATION	8
-	1	1	1	1	1	4-240641-1 SPACER	7
-	1	1	1	1	1	2119781-1 DEPRESSOR, SHEAR	5
-	1	1	1	1	1	4-238011-0 BLOCK, CRIMPER SPACER	4
-	1	2	2	1	1	1803018-6 CRIMPER, INSULATION O	3
-	1	1	1	1	1	455888-1 SPACER, CRIMPER	2
-	1	2	2	1	1	4-456406-7 CRIMPER, WIRE PREMIUM	1

REV	DATE	BY	CHK	APP'D	DESCRIPTION	ITEM NO			
-77	-72	-71	-52	-51	-2	-1	PART NO	DESCRIPTION	ITEM NO

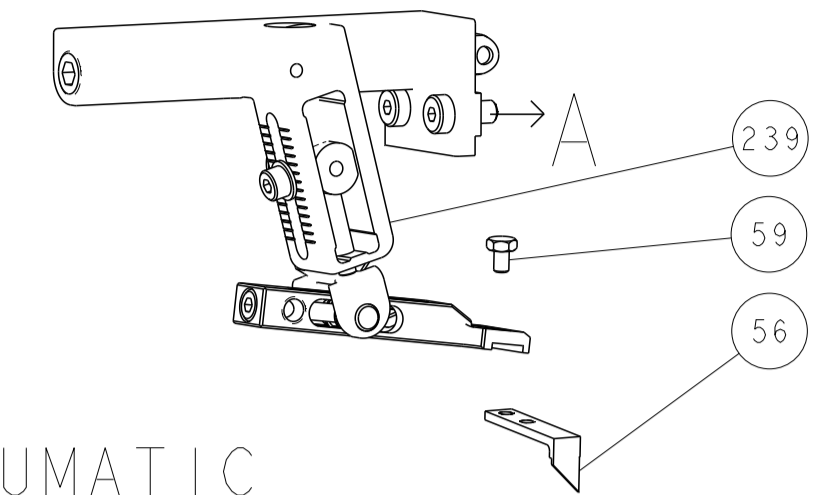
TE Connectivity
Harrisburg, PA 17105-3608

Ocean Side Feed Applicator

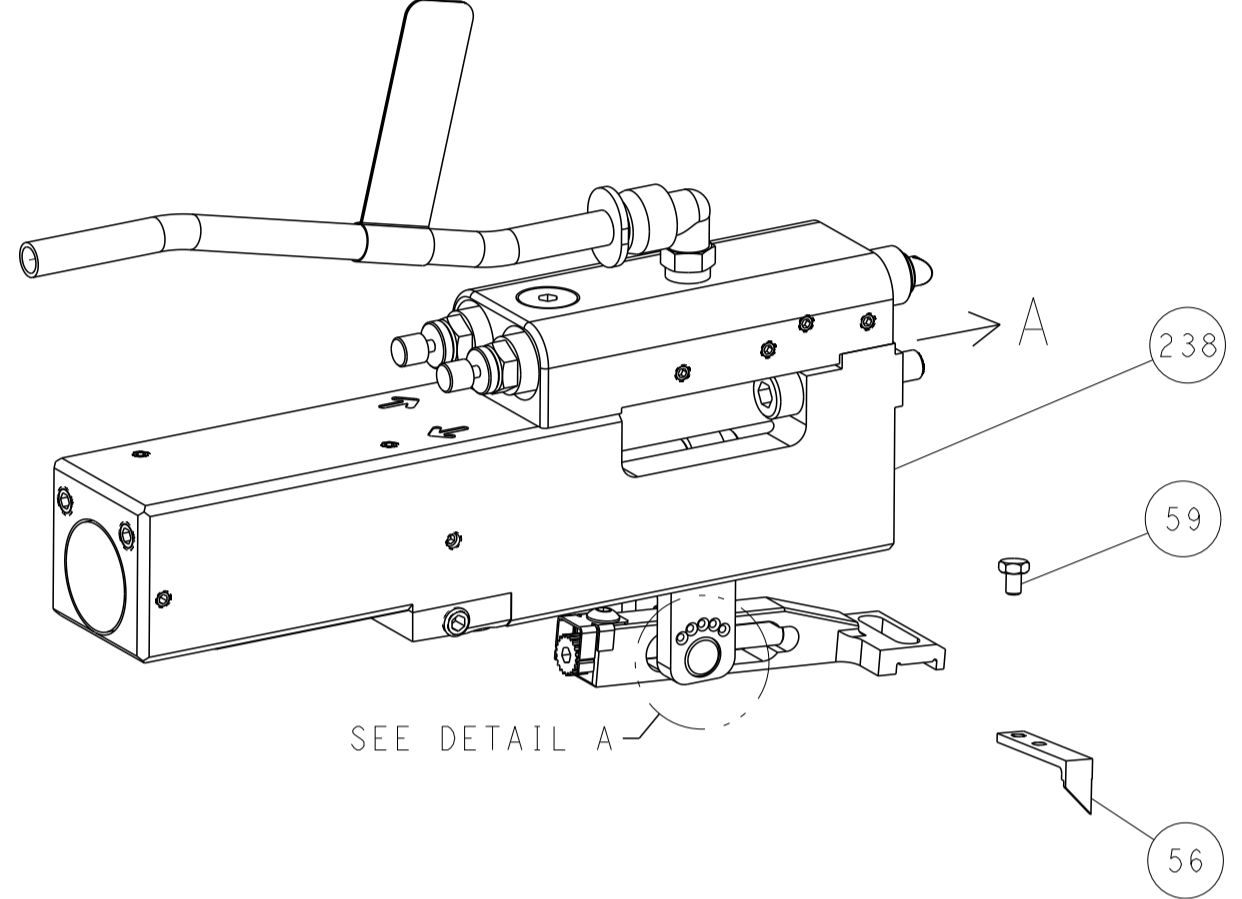
Customer Accessible Production Drawing SCALE 1:2 SHEET 1 OF 4 REV E

LOC	DIST	REVISIONS					
A	66	P	LYN	DESCRIPTION	DATE	DWN	APVD
		-		SEE SHEET 1	-	-	-

FEED TYPE MECHANICAL



PNEUMATIC

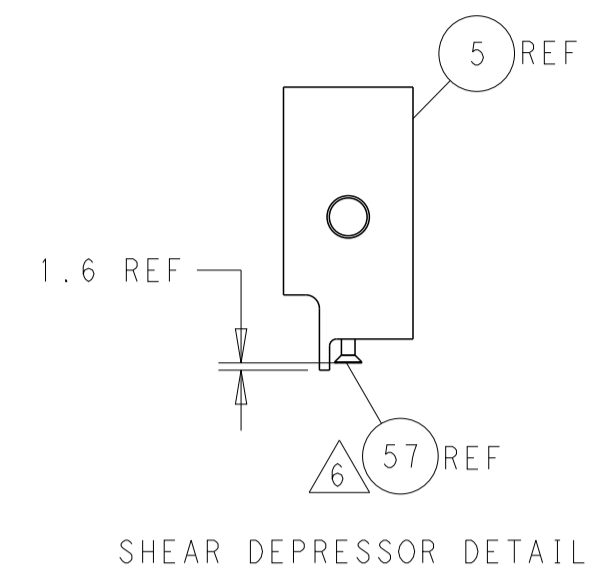
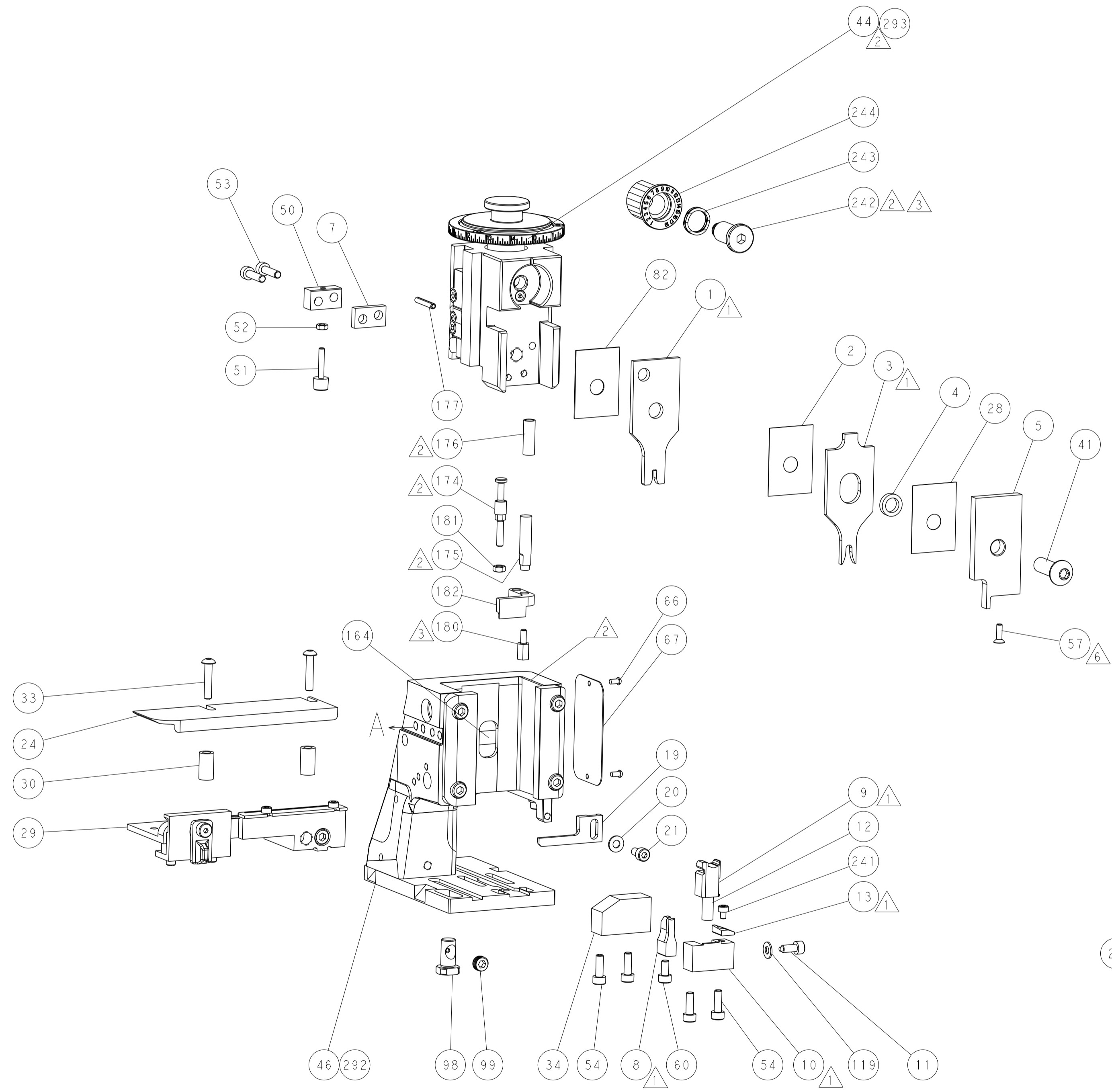
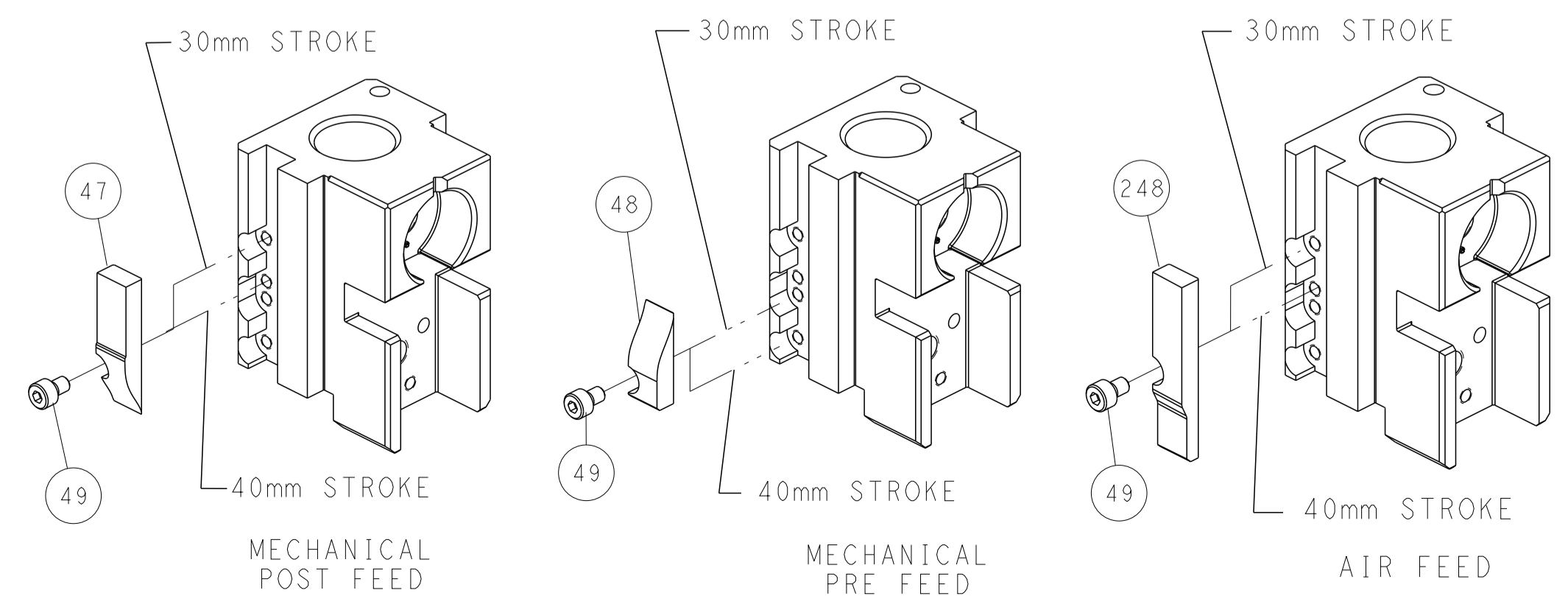


FEED SPRING SETTING POSITION (SHOWN FROM REAR SIDE)

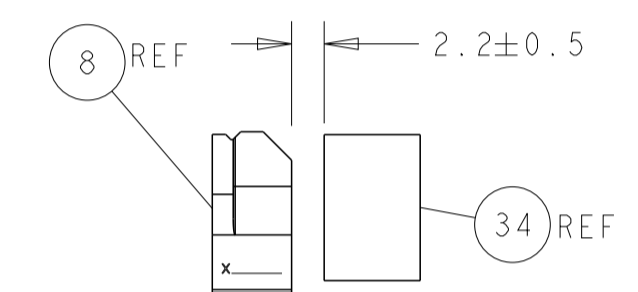


DETAIL A

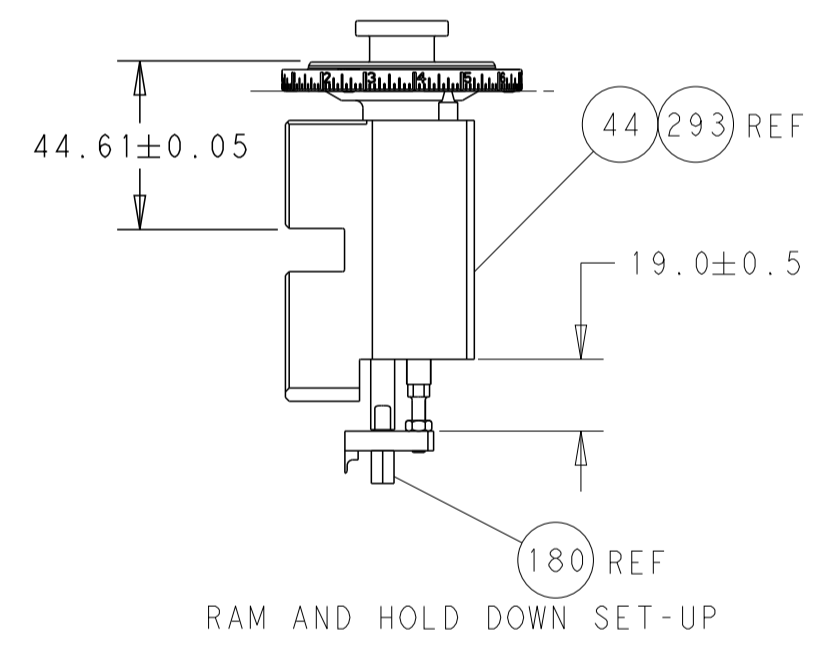
CAM POSITIONS



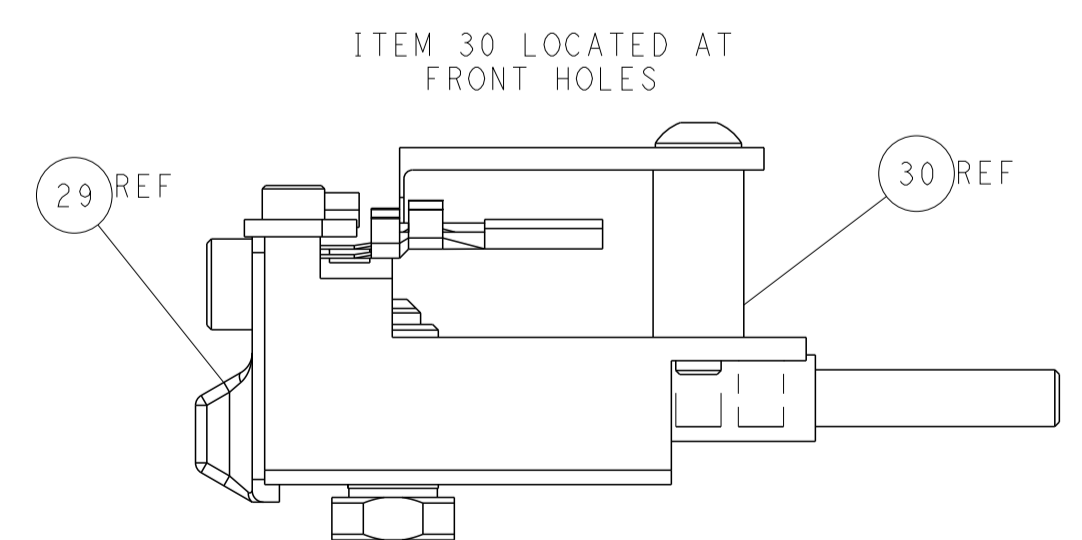
SHEAR DEPRESSOR DETAIL



TERMINAL SUPPORT LOCATION



RAM AND HOLD DOWN SET-UP



FEED TRACK POSITION GUIDE BY INSULATION BARREL

ATLANTIC VERSION
 Shown on sheets 1 of 4 & 2 of 4
 (Pacific version shown on sheets 3 of 4 & 4 of 4)

<small>THIS DRAWING IS UNPUBLISHED. RELEASED FOR PUBLICATION BY TYCO ELECTRONICS CORPORATION. ALL RIGHTS RESERVED.</small>		DWN: Y. YIN 13OCT2011 CHK: G. BAILEY 13OCT2011 APVD: S. XI 13OCT2011	NAME: Ocean Side Feed Applicator SIZE: A1 CAGE CODE: 00779 DRAWING NO: 2151121	TE Connectivity Harrisburg, PA 17105-3608
DIMENSIONS: mm TOLERANCES UNLESS OTHERWISE SPECIFIED: 0 PLC ± 1 PLC ± 2 PLC ± 3 PLC ± 4 PLC ± ANGLES ° ± FINISH	MATERIAL:	WEIGHT:	SCALE: 1:2 SHEET: 2 of 4 REV: E	RESTRICTED TO:

PART NUMBER	REVISION	DESCRIPTION	FEED TYPE
2-2151121-1	E	FINE CRIMP HEIGHT ADJUST	MECHANICAL
2-2151121-2	E	FINE CRIMP HEIGHT ADJUST	PNEUMATIC
7-2151121-7	A	CRIMP TOOLING KIT	-

PACIFIC VERSION TERMINATOR
INTERFACE ADAPTER



APPLICATOR DATA		
CRIMP	SIZE	TYPE
WIRE	2.29 mm [.090]	F
INSUL	3.68 mm [.145]	O
APPLICATOR INSTRUCTIONS 408-35042		

TERMINAL DATA: TE TERMINAL		TE CRIMP SPECIFICATION	
TERMINAL NAME: TAB CONTACT 070 TYPE			
WIRE STRIP LENGTH		TERMINAL INSULATION DIAMETER RANGE	
4.00-4.50 mm [.157-.177 IN]		∅2.00-2.70 mm [.079-.106 IN]	
TERMINAL APPLICATION SPECIFICATION	114-5082		

TERMINALS APPLIED				
TE TERMINAL	TE TERMINAL	TE SEAL	TE SEAL	SEAL INSULATION DIAMETER RANGE
171661-1	171661-5	172888-1	1-172888-3	2.0-2.6
171661-3	171661-2	172888-2	9-172888-2	2.0-2.6
		176886-2	176886-4	1.8-2.6
			176886-5	1.8-2.6
			1-900325-9	2.0-2.3
			347874-1	1.6-2.4

WIRE SIZE	CRIMP HEIGHT mm [INCH]	CRIMP HEIGHT REFERENCE SETTING
1.25mm2	1.52 +/- 0.05 [.060 +/- .002]	2.5
0.85mm2	1.37 +/- 0.05 [.054 +/- .002]	4.0
0.50mm2	1.24 +/- 0.05 [.049 +/- .002]	5.5

TERMINAL DATA: TE TERMINAL		TE CRIMP SPECIFICATION	
TERMINAL NAME: TAB CONTACT 070 TYPE			
WIRE STRIP LENGTH		TERMINAL INSULATION DIAMETER RANGE	
4.00-4.50 mm [.157-.177 IN]		∅ 2.00-2.70 mm [.079-.106 IN]	
TERMINAL APPLICATION SPECIFICATION			

TERMINALS APPLIED			
TE TERMINAL	TE TERMINAL	TE SEAL	TE SEAL
171661-2			

WIRE SIZE	CRIMP HEIGHT mm [INCH]	CRIMP HEIGHT REFERENCE SETTING
1.00mm2	1.37 +/- 0.05 [.054 +/- .002]	4.0
0.75mm2	1.33 +/- 0.05 [.052 +/- .002]	4.4

- RECOMMENDED SPARE PARTS
- REFER TO SUPPLIED INSTRUCTION SHEET FOR CLEANING, LUBRICATION AND STORAGE OF APPLICATOR.
- APPLY PART NUMBER 2-23419-6 LOCTITE TO THREADS OF ITEM 242.
- CRIMP HEIGHT REFERENCE SETTING WAS THE SETTING USED WHEN THE APPLICATOR WAS QUALIFIED AT THE FACTORY. ADJUSTMENT MAY BE NECESSARY WHEN RUNNING APPLICATOR IN THE FIELD.
- UNLESS SPECIFIED OTHERWISE TORQUE VALUES SHALL BE USED PER DOCUMENT, 101-35000.
- APPLY TORQ-SEAL IN ALLEN SOCKET TO FILL HOLE AFTER FLAT HD HAS BEEN ADJUSTED TO CORRECT HEIGHT AT QUALIFICATION. APPLY #1-23419-5 LOC-TITE TO THREADS.
- THIS CRIMP PARAMETER IS PROVIDED TO MEET A CUSTOM AND UNIQUE CUSTOMER REQUIREMENT. IT HAS BEEN EVALUATED AND IS CONDITIONALLY SPECIFIED BY TE CONNECTIVITY. THIS CUSTOMIZED CRIMP PARAMETER IS NOT LISTED AS AN APPROVED APPLICATION WITHIN A TE CONNECTIVITY APPLICATION SPECIFICATION; HOWEVER, IT HAS BEEN VALIDATED ACCORDING TO TE CONNECTIVITY SPECIFICATIONS 109-18079 (TEST GROUP 1) AND 114-18022. TE CONNECTIVITY EXPRESSLY DISCLAIMS ANY AND ALL WARRANTIES THAT THE PRODUCT WILL PERFORM SIMILARLY TO VALIDATED AND APPROVED APPLICATIONS, AS STATED WITHIN TE CONNECTIVITY APPLICATION SPECIFICATIONS. INCLUDING BUT NOT LIMITED TO IMPLIED WARRANTIES OF MERCHANTABILITY OR FITNESS FOR PARTICULAR PURPOSE. AS SUCH, IT IS HIGHLY RECOMMENDED THAT THE CUSTOMER PERFORM FURTHER DETAILED EVALUATION TO ASSESS PRODUCT PERFORMANCE IN THE SPECIFIC APPLICATION.

***WARNING**
ON INSTALLATION, SET WIRE DISC TO CRIMP HEIGHT REFERENCE SETTING FOR LARGEST WIRE SIZE. CRIMP HEIGHT REFERENCE SETTINGS GREATER THAN THE VALUE SHOWN MAY CAUSE DAMAGE TO THE CRIMP TOOLING. REFER TO THE INSTRUCTION SHEET FOR PROPER SETUP AND ADJUSTMENTS.

LOC	DIST	REVISIONS					
A	66	P	LYN	DESCRIPTION	DATE	DWN	APVD
		-		SEE SHEET 1			

-	1	1	2119082-7	CAM, SNAIL, INSULATION ADJUSTMENT	244
-	1	1	2079764-1	WASHER, WAVE SPRING, CREST-TO-CREST	243
-	1	1	2119083-1	RETAINER, INSULATION DIAL	242
-	1	1	7-18023-7	SCR, SKT HD CAP M3 X 4.0	241
-	-	1	2119580-1	MECHANICAL FEED ASSEMBLY	239
-	1	-	2844940-1	AIR FEED MODULE	238
-	REF	REF	994970-2	COUNTER, MAGNETIC	164
-	1	-	2119641-2	FEED CAM, AIR FEED	151
-	1	1	2168083-8	SCR, SKT HD CAP, RoHS, M4 X 16	144
-	4	4	2168083-9	SCR, SKT HD CAP, RoHS, M4 X 20	143
-	-	1	2119653-2	FEED CAM, POST FEED	142
-	1	1	1-1803583-0	APPLICATOR BASIC ASSEMBLY, SF	141
-	1	1	1803516-1	RAM ASSEMBLY, SF PACIFIC	140
-	1	1	1-18028-2	WASHER, FLAT, REG M4	119
-	1	1	2844908-1	SCREW, LOCKING	99
-	1	1	2844907-1	POST, LOCKING	98
-	1	1	455888-6	SPACER, CRIMPER	82
-	1	1	1803607-3	DOCUMENTATION PACKAGE	71
-	1	1	2119740-1	TAG, IDENTIFICATION	67
-	2	2	2168078-1	SCREW, DRIVE, RH, RoHS, 2 x .188	66
-	1	1	5-18022-5	SCR, HEX HD CAP, M4 X 6.0	59
-	1	1	985575-3	SCR, FLT SKT HD CAP M3 X 10.0	57
-	1	1	1338685-1	PAWL, FEED	56
-	2	2	2168083-8	SCR, SKT HD CAP, RoHS, M4 X 16	53
-	1	1	5018030-1	NUT, HEX, REG, RoHS, M3	52
-	1	1	811242-5	BUMPER, HOLD DOWN	51
-	1	1	690753-2	SPACER, TONKER	50
-	1	2	18023-9	SCR, SKT HD CAP M4 X 6.0	49
-	-	1	2119652-1	FEED CAM, PRE FEED	48
-	1	1	1803602-1	SCR, BHSC, RoHS (M8 X 25)	41
-	1	1	1752356-3	SUPPORT, TERMINAL	34
-	2	2	2079383-5	SCR, BHSC, RoHS (M4 X 20)	33
-	2	2	2-2844962-8	SPACER, CYLINDRICAL, STRIP GUIDE	30
-	1	1	2844992-1	ASSEMBLY, STRIP GUIDE	29
-	1	1	455888-1	SPACER, CRIMPER	28
-	1	1	1320928-2	STRIP GUIDE	24
-	1	1	2168083-2	SCR, SKT HD CAP, RoHS, M4 X 8.0	21
-	1	1	1-18028-2	WASHER, FLAT, REG M4	20
-	1	1	2119533-1	STRIPPER, SIDE FEED	19
-	1	1	2119806-1	INSERT, SHEAR	13
-	1	1	3-22280-3	SPRING, COMPRESSION	12
-	1	1	1-356885-4	STOP, SHEAR	11
-	1	1	2119805-1	SHEAR HOLDER, FRONT	10
-	1	1	318707-1	FLOATING SHEAR, FRONT	9
-	1	1	1333205-4	ANVIL, COMBINATION	8
-	1	1	4-240641-1	SPACER	7
-	1	1	2119781-1	DEPRESSOR, SHEAR	5
-	1	1	4-238011-0	BLOCK, CRIMPER SPACER	4
-	1	1	1803018-6	CRIMPER, INSULATION O	3
-	1	1	455888-1	SPACER, CRIMPER	2
-	1	1	4-456406-7	CRIMPER, WIRE PREMIUM	1

PACIFIC VERSION
Shown on sheets 3 of 4 & 4 of 4
(Atlantic version shown on sheets 1 of 4 & 2 of 4)

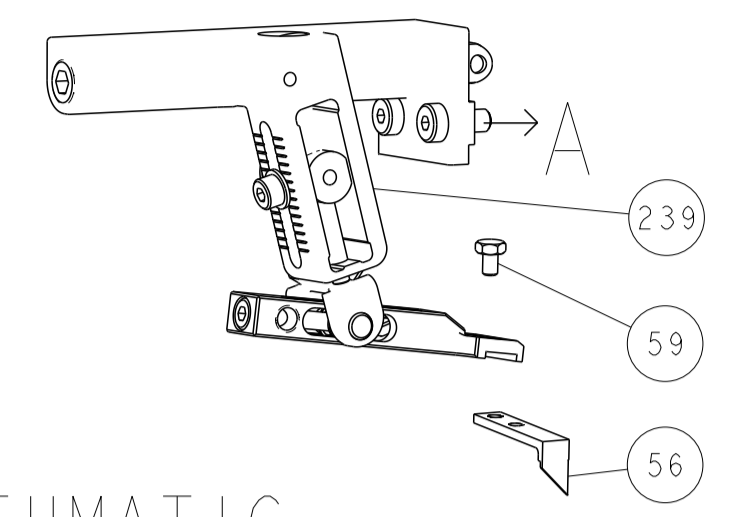
DIMENSIONS:		TOLERANCES UNLESS OTHERWISE SPECIFIED:		MATERIAL:	
mm	0 PLC ±	1 PLC ±	2 PLC ±	3 PLC ±	4 PLC ±
	ANGLES ±	FINISH			

ITEM NO	PART NO	DESCRIPTION	
-77	-22	-21	

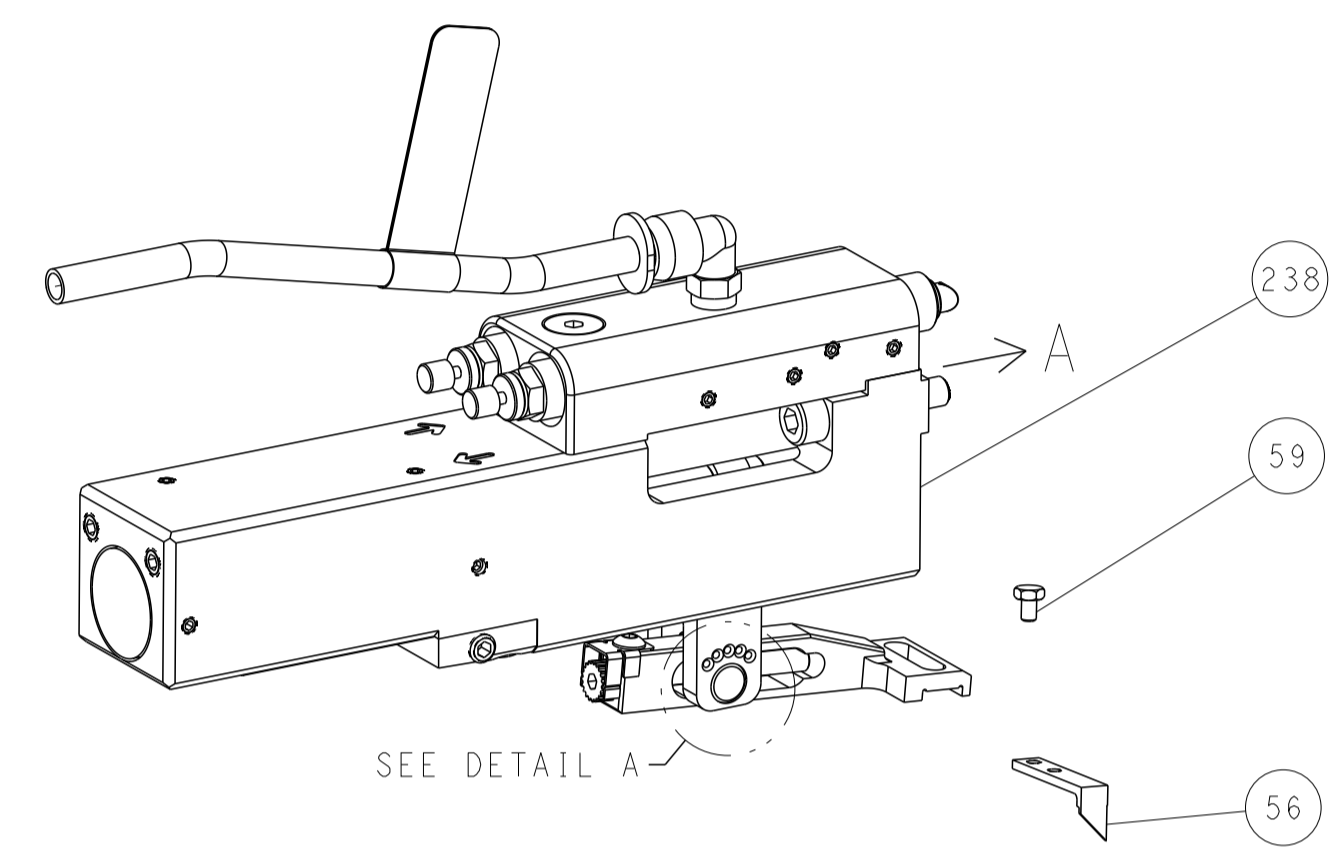
DATE	13OCT2011	CHK	G.BAILEY	APVD	S.XI
DATE	13OCT2011	NAME	Ocean Side Feed Applicator		
SIZE	A1	CAGE CODE	00779	DRAWING NO	2151121
SCALE	1:2	SHEET	3	OF	4
RESTRICTED TO		REV	E		

LOC	DIST	REVISIONS					
A	66	P	LTN	DESCRIPTION	DATE	DWN	APVD
		-		SEE SHEET 1			

FEED TYPE MECHANICAL



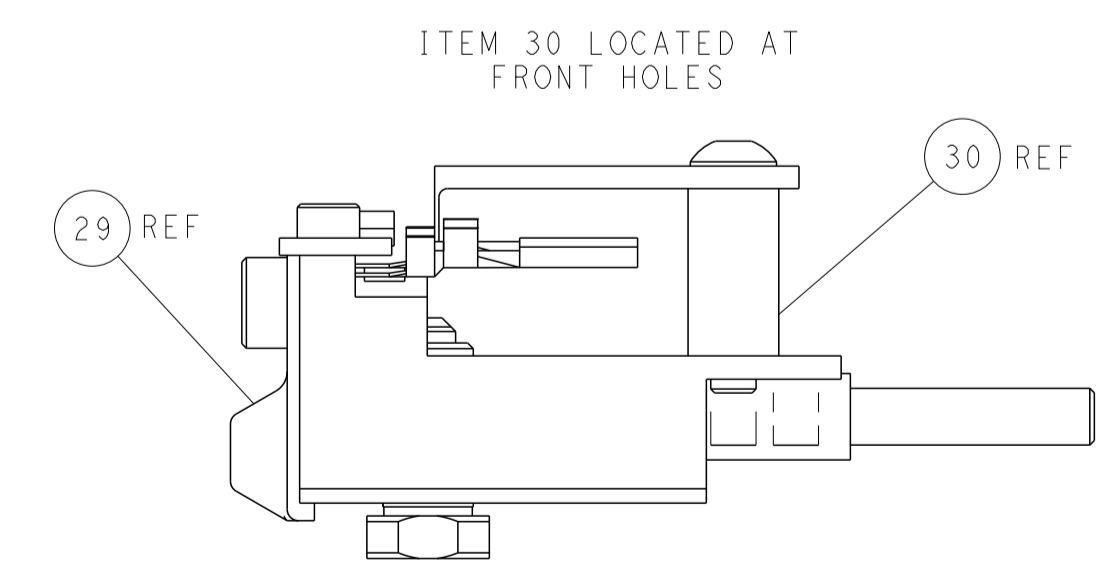
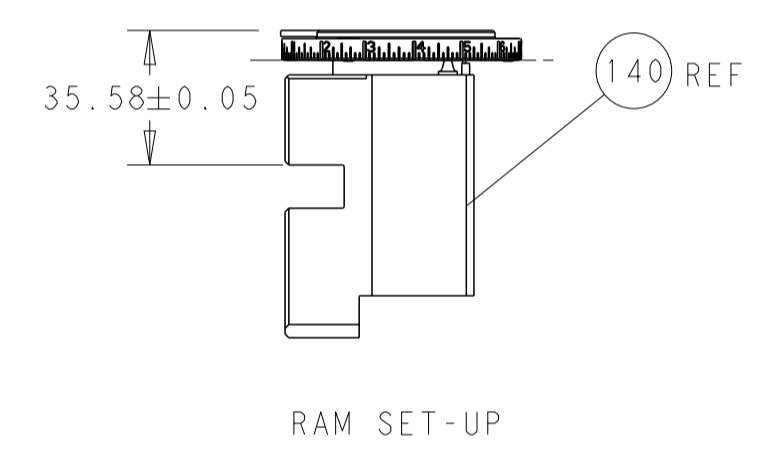
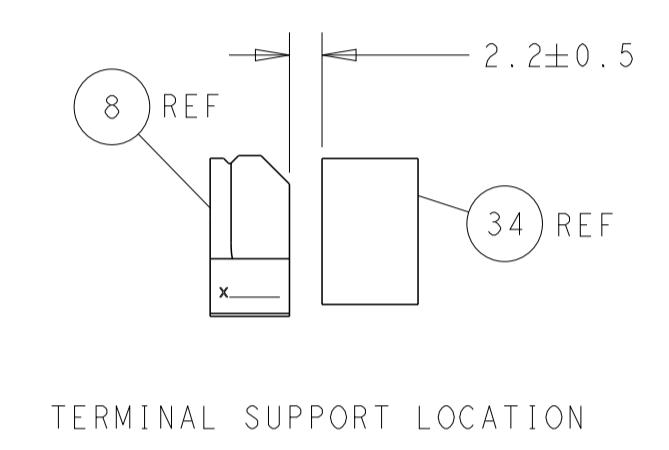
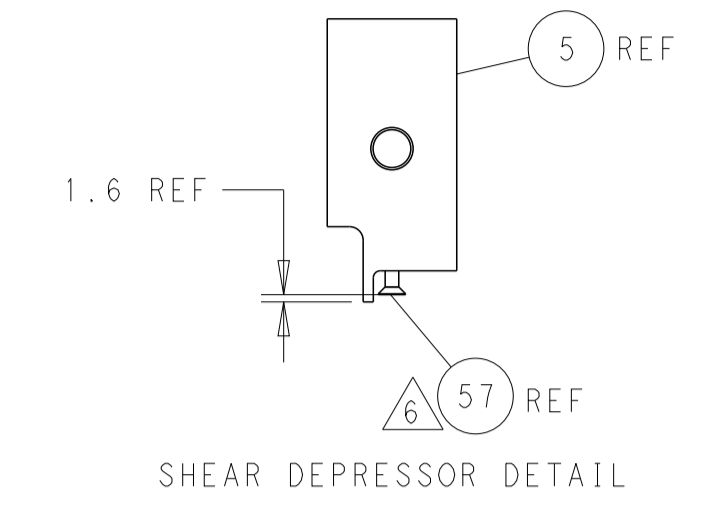
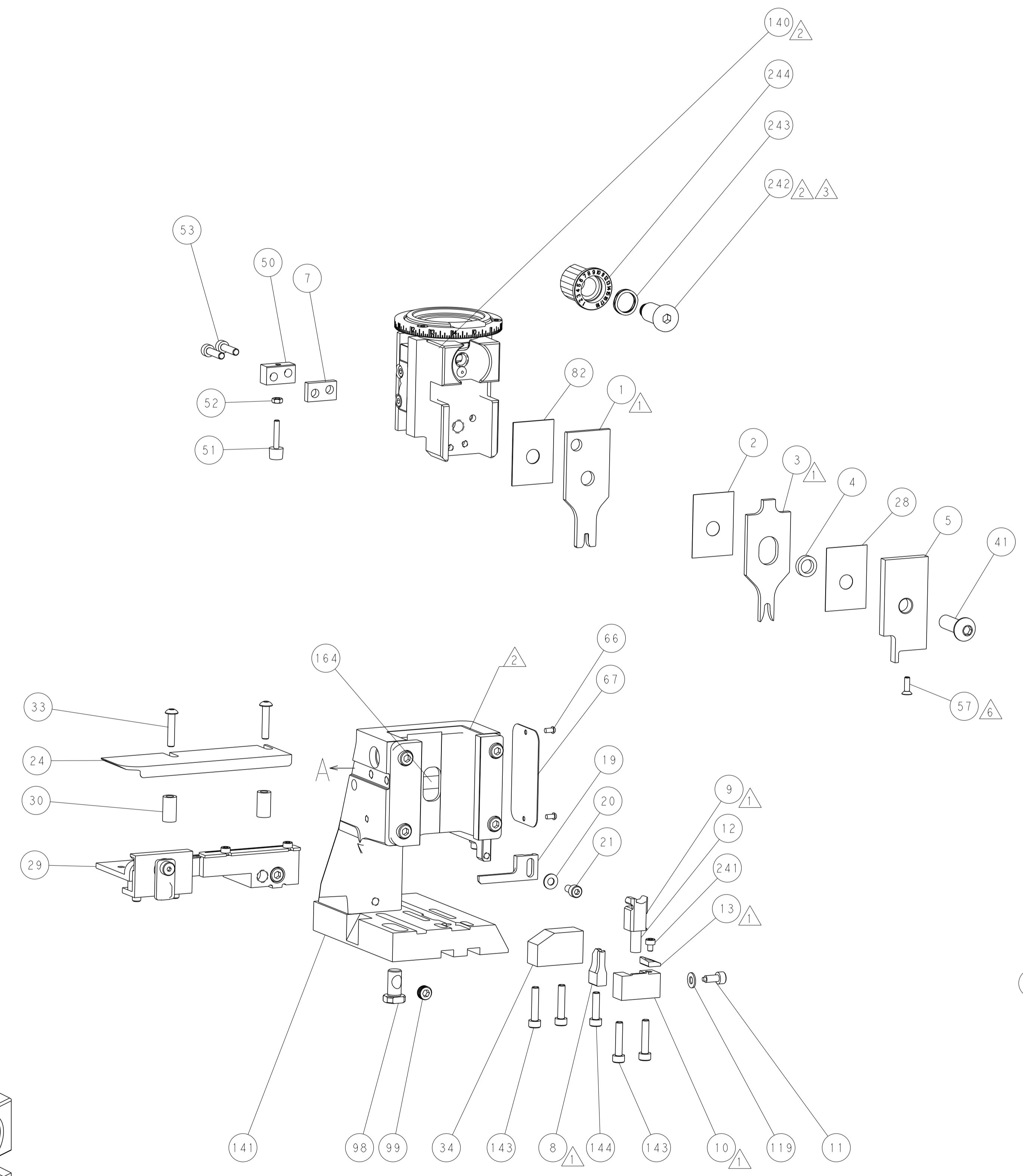
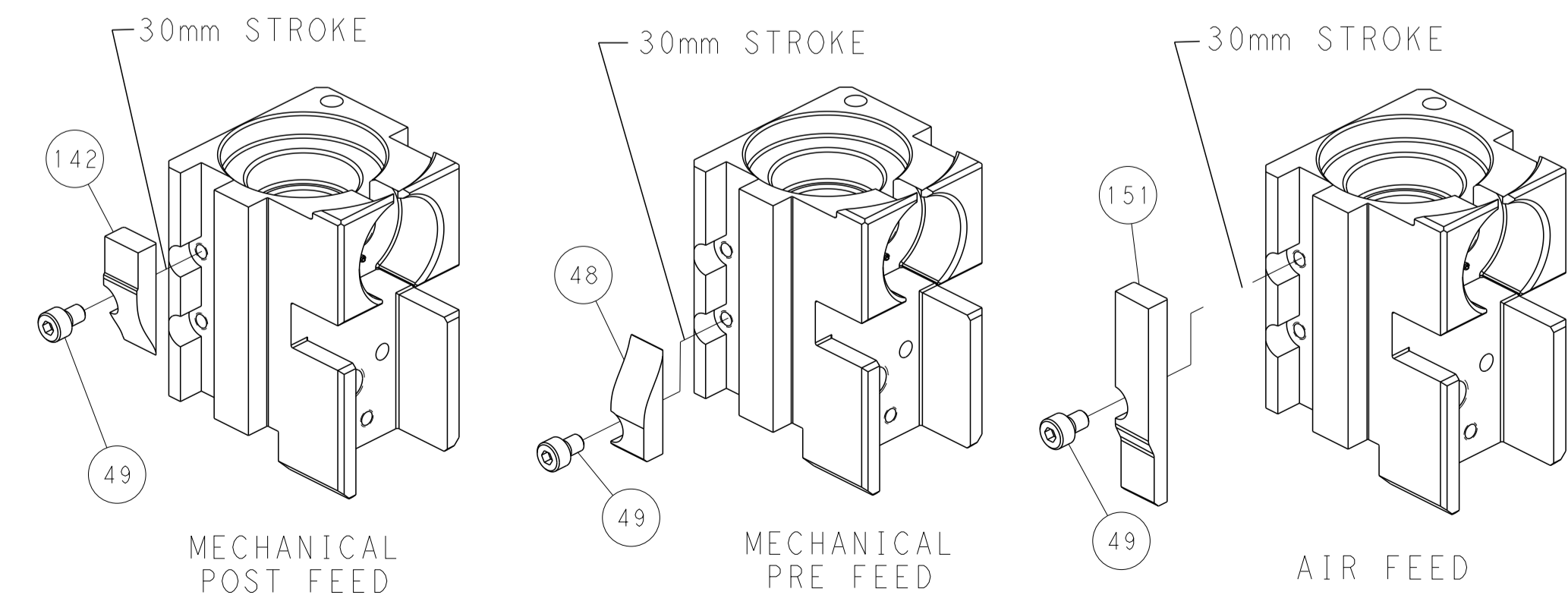
PNEUMATIC



FEED SPRING SETTING POSITION (SHOWN FROM REAR SIDE)



CAM POSITIONS



PACIFIC VERSION
 Shown on sheets 3 of 4 & 4 of 4
 (Atlantic version shown on sheets 1 of 4 & 2 of 4)

DIMENSIONS:		TOLERANCES UNLESS OTHERWISE SPECIFIED:		DWN Y. YIN 13OCT2011		TE Connectivity	
mm	0 PLC ±	1 PLC ±	2 PLC ±	3 PLC ±	4 PLC ±	Harrisburg, PA 17105-3608	
MATERIAL:		FINISH:		CHK G. BAILEY 13OCT2011		NAME	
				S. XI 13OCT2011		Ocean Side Feed Applicator	
				APVD		SIZE CAGE CODE DRAWING NO	
				PRODUCT SPEC		RESTRICTED TO	
				APPLICATION SPEC		A1 00779 C=2151121	
				WEIGHT		SCALE 1:2 SHEET 4 OF 4 REV E	
				Customer Accessible Production Drawing		SHEETS 1 & 2 ARE NOT REQUIRED FOR PACIFIC VERSION	