

**Materials**

1. Insulation block, POM, yellow
2. Insulator, PBT + 15% glass fiber, white
3. Shell, C3604 brass, 2 μm nickel plated
4. Spring contact, C5191 phosphor bronze, 2 μm nickel plated

**Electrical requirements**

Dielectric strength: 1 min @ 500 Vac  
 Insulation resistance: 100 MΩ @ 500 Vdc  
 Contact resistance: 30 mΩ or less  
 Rated voltage: 20 Vdc  
 Rated current: 4 A

**Mechanical requirements**

Insertion force: 0.5-2 kgf  
 Withdrawal force: 0.3-1.5 kgf  
 Durability: 5000 mating cycles while maintaining; 0.4-2 kgf insertion force, 0.2-1.5 kgf withdrawal force and a less than 100 mΩ contact resistance.

**Environmental requirements**

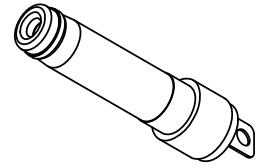
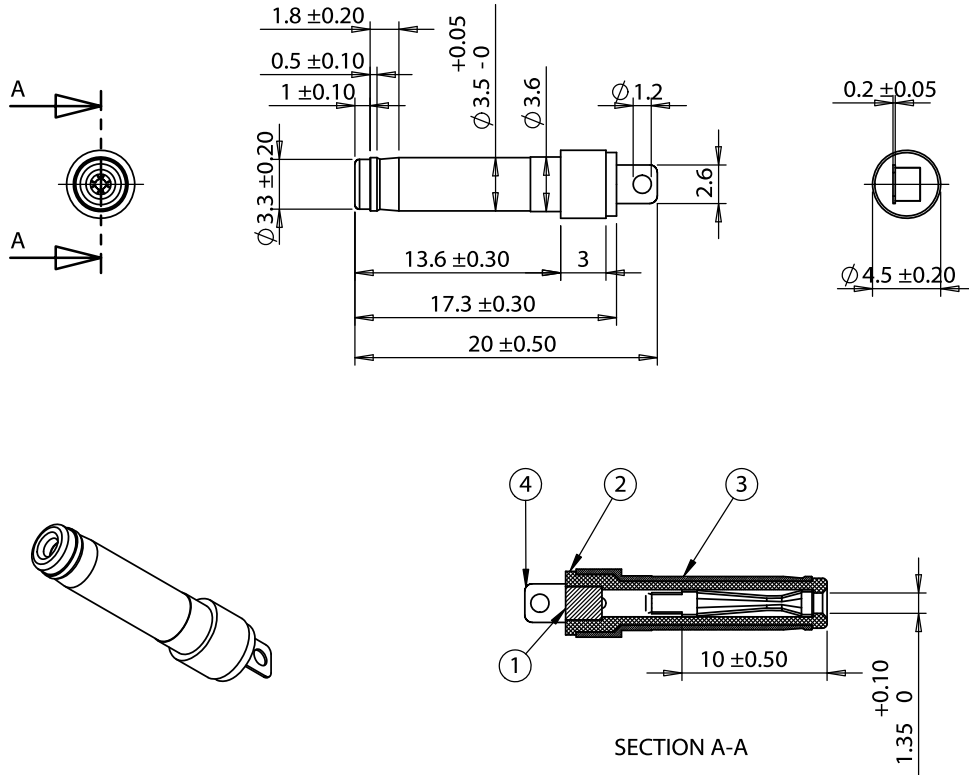
Damp test: 40 °C, RH 90-100% for 96 hrs. Cool to ambient and recover for 2 hours. Maintain dielectric strength of 500 Vac for 1 min, insulation resistance of 50 MΩ @ 500 Vdc minimum and a contact resistance of 100 mΩ or less.

Dry test: 70 °C, RH 70-85% for 96 hrs. Cool to ambient and recover for 2 hours. Maintain insulation resistance of 50 MΩ @ 500 Vdc minimum and a contact resistance of 100 mΩ or less.

Salt spray test: 35 °C, RH 90-95%, 5% NaCl mist for 24 hrs. Wash parts after test. Maintain mechanical requirements and a contact resistance of less than 80 mΩ.

**Operating range**

-25 to 70 °C, relative humidity of 85% or less



Revision:	Date:	Description:
A	11/7/2012	Initial release

Prepared: GL 2016.03.31 10:58:17 -07'00'

Verified: LA

Dimensions are in millimeters.  
 Tolerances:  
 X: ± 0.5 mm  
 X.X: ± 0.3 mm  
 X.XX: ± 0.05 mm

Notes:  
 RoHS compliant

Function test: no open, no short circuit, no intermittent

Description:  
 Connector, dc plug, 3.5x1.35xL20mm, brass, nickel plated, molding type, white insulators

**TENSILITY**

tel 1.541.323.3228 800 877.670.7118  
 fax 1.541.323.4202 web tensility.com

Size: A	Part number: 50-00315
Scale: 2:1	Sheet 1 of 1