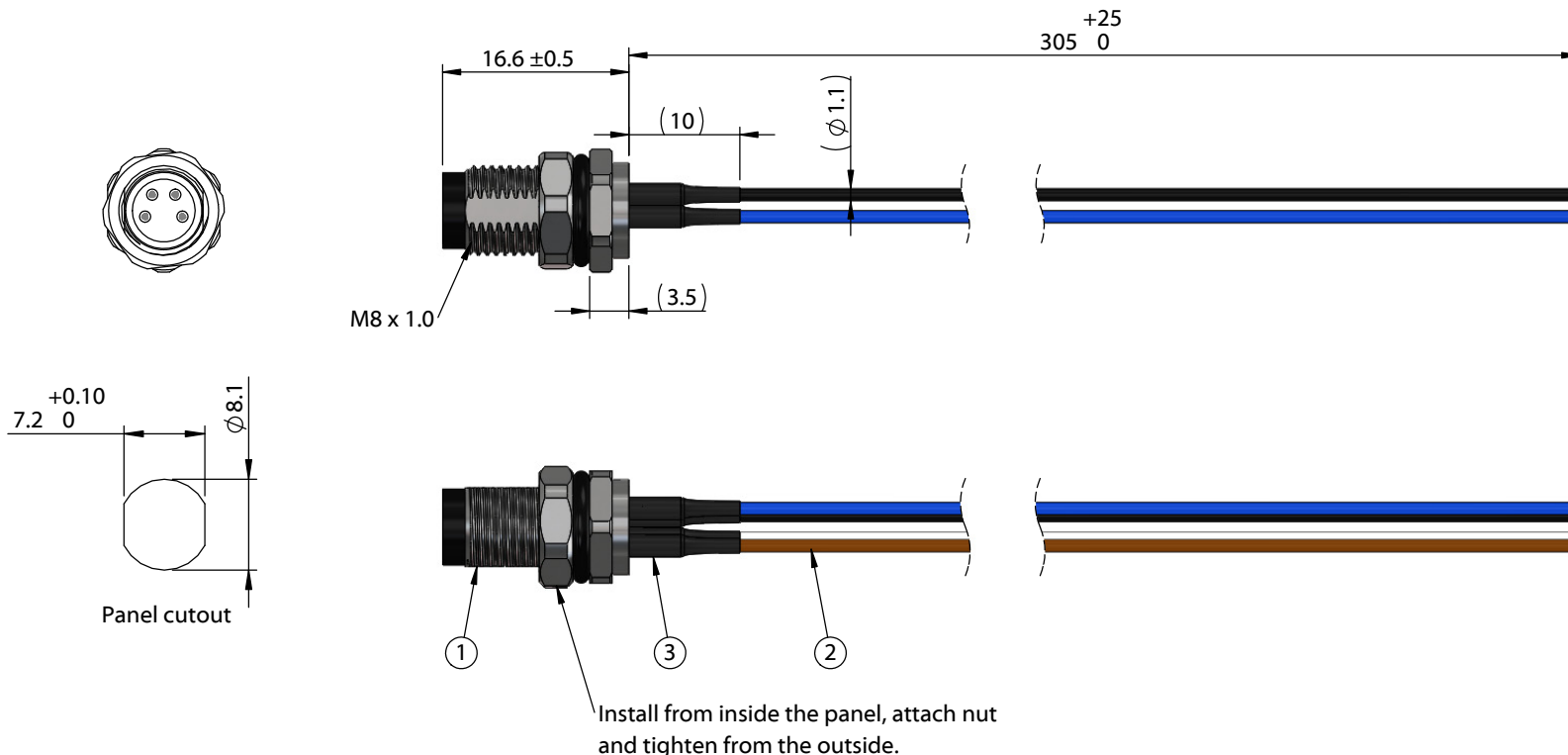


ITEM NO.	PART NUMBER	DESCRIPTION	QTY.	COMPONENT NOTES
1	54-00291	Connector, 4 pin M8 A-code plug, 8x19.2 mm, gold plated, panel mount, solder cup, IP67	1	nut and o-ring included
2	Wire	Wire, hook-up, TS, 24 AWG, UL 11028, 600V, 105C, 1.1 mm, mPPE	4	color: brown, white, blue, black
3	Heat shrink	Heat shrink, UL, black	4	covers solder joints



**Notes:**  
 Cable rated for 30 V, 3 A  
 Temperature: -40 ~ 105 °C

IP67 waterproof rating when mated with corresponding (IP67) connector and installed properly in panel

Cables individually packaged in PE bag  
 Functionally equivalent components may be substituted



Front View  
 Not to Scale

Wiring Diagram	
54-00291	wire color (P/N)
1	brown (30-01771)
2	white (30-01764)
3	blue (30-01766)
4	black (30-01763)

Revision:	Date:	Description:	Prepared: PB <small>Digitally signed by PB Date: 2022.12.20 11:47:46 -08'00'</small>	Notes:	<b>TENSILITY</b> tel 1.541.323.3228 800 877.670.7118 fax 1.541.323.4202 web tensility.com
A	11/3/2022	Initial release	Verified:	RoHS compliant	
			Dimensions are in millimeters. Tolerances: X: ± 0.5 mm X.X: ± 0.3 mm X.XX: ± 0.05 mm	Function test: no open, no short circuit, no intermittent	Size: A Part number: 10-05258
				Description: Cable, 305 mm, M8 4C plug panel mount 54-00291 to blunt cut, 24 AWG, UL 11028 hook-up wire	
					Sheet 1 of 1