

PART NAME: KNOB SCALE: 1:1 DATE: 9/12/83 DR. BY HD

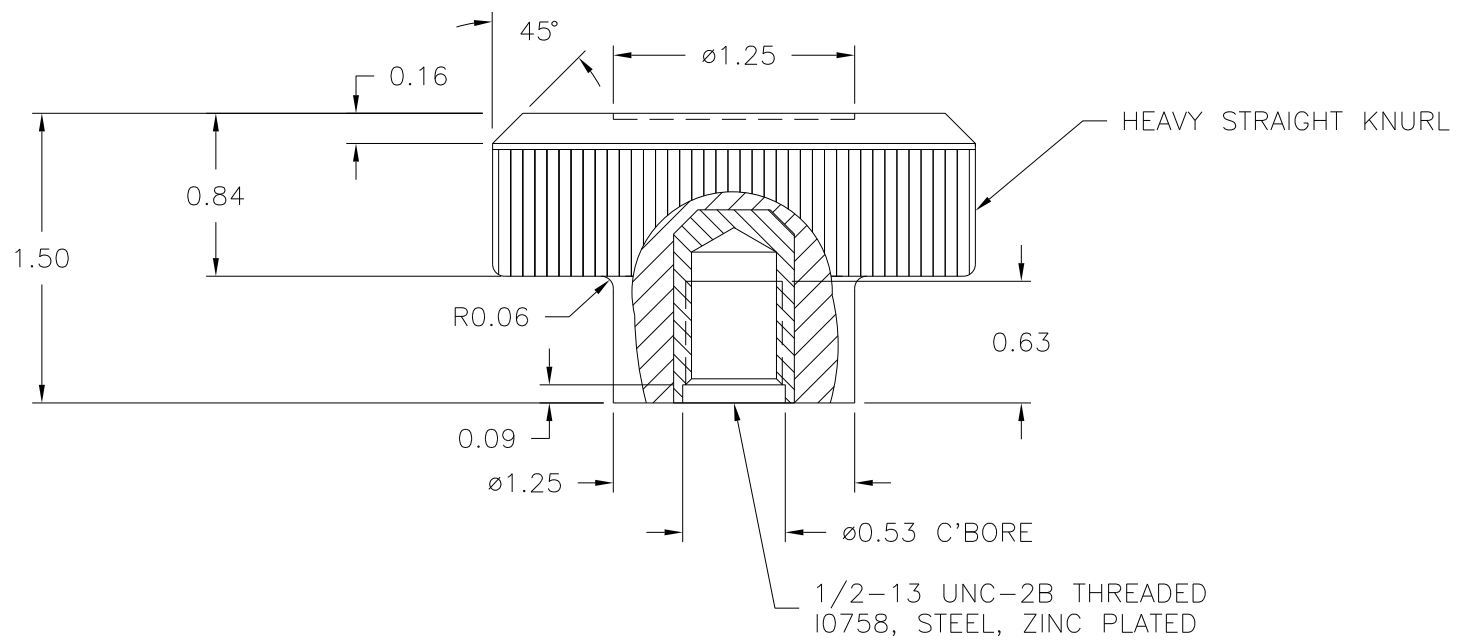
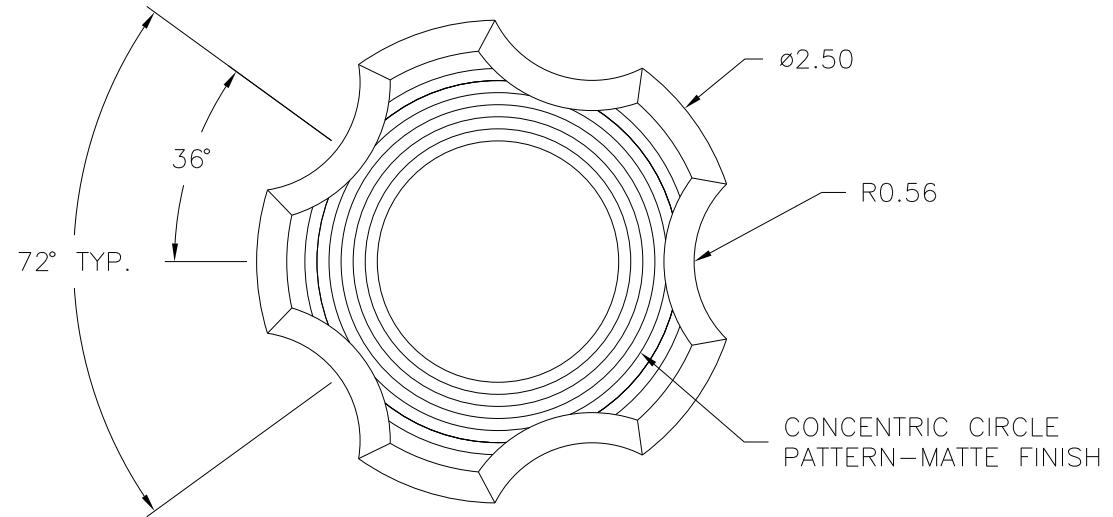
THIS DRAWING IS THE PROPERTY OF DAVIES MOLDING COMPANY, IS SUBMITTED SOLELY AS A DESIGN OR ENGINEERING PROJECT. WE ACCEPT NO RESPONSIBILITY WHATSOEVER FOR THE PRACTICAL APPLICATION OF THE PIECES MADE TO THIS DESIGN.



P/N 2890-C

M_{NO.} 2890-2830

CAVITY	2890
CAVITY PLUG	2890
PLUNGER	2890
PLUNGER PIN	2890
① PIN	3000-Q
INSERT	I0758
SHIM	NONE
TOP PLATE LANDING BAR	.75 APPR.



MATERIAL: #4311 PLENCO PHENOLIC (B41)
COLOR: BLACK

TOLERANCES: UNLESS OTHERWISE SPECIFIED	DO NOT SCALE DRAWING	A	WAS 3000-D	TS	2/28/2000
DECIMALS: X.XXX ± .005 X.XX ± .015	MM: X.XX ± 0.15MM X.X ± 0.4MM	-	RE-DID REDRAW	TL	11/22/99
FRACTIONS ± 1/64	ANG. ± 1°	-	CAD REDRAW	HD	10/29/92
CHANGES					