

THIS DRAWING IS UNPUBLISHED.

RELEASED FOR PUBLICATION

© COPYRIGHT -

ALL RIGHTS RESERVED.

LOC
HG

DIST
-

REVISIONS

P	LTR	DESCRIPTION	DATE	DWN	APVD
	C	ECR-14-016330	11NOV2014	HZ	RZ

- 1 MATERIAL: PROTECTIVE COVER - TPE, COLOR: BLACK, UL 94 HB*
 FERRULE SUBASSEMBLY - ZIRCONIA/METAL.
 COMPRESSION SPRING - STAINLESS STEEL.
 HOUSING - PEI, COLOR: BEIGE, UL 94 V-0*.
 INNER TUBING - PTFE, COLOR: CLEAR, UL VW-1.
 REAR BODY - METAL.
 BOOT - PP, COLOR: BEIGE, UL 94 V-0*.
 CRIMP EYELET/HEAT SHRINK ASSY - ALUM. ALLOY/POLYOLEFIN, UL VW-1.
 * RATED AT QUALIFYING THICKNESS.

2 BULK PACKAGED.

3. INSTRUCTION SHEET: 408-8675.

SHORT BEND
LIMITING BOOT

CRIMP EYELET/
HEAT SHRINK ASSEMBLY

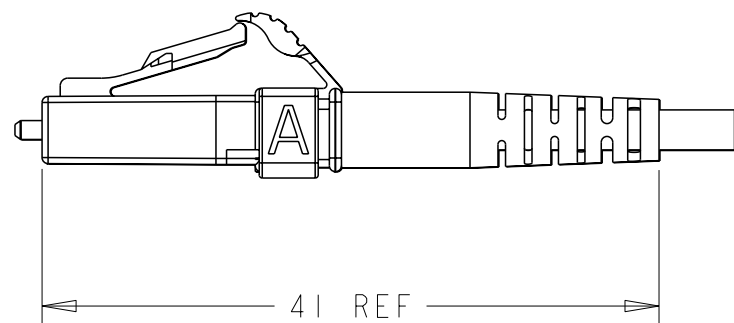
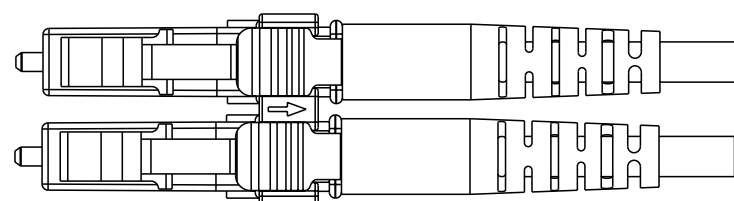
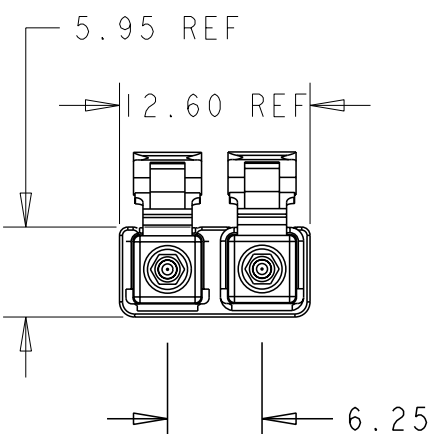
CONNECTOR
SUBASSEMBLY

PROTECTIVE COVER

DUPLEX CLIP

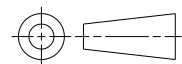
1457567-4 ADAPTER REF.
NOT INCLUDED IN KIT

2	1918404-2
	1918404-1
PART NUMBER	



THIS DRAWING IS A CONTROLLED DOCUMENT.

DIMENSIONS:
mm



MATERIAL -

TOLERANCES UNLESS OTHERWISE SPECIFIED:

0 PLC	±
1 PLC	±
2 PLC	±
3 PLC	±
4 PLC	±
ANGLES	±

FINISH -

DWN	B. BRIGGS	08FEB2008
CHK	C. BENNETT	08FEB2008
APVD	S. BUCHTER	08FEB2008
PRODUCT SPEC	-	
APPLICATION SPEC	-	
WEIGHT	-	

NAME
KIT, CONNECTOR, LC, SHORT BOOT,
DUPLEX, MM, 1.6-2.0mm JACKET

SIZE	CAGE CODE	DRAWING NO	RESTRICTED TO
A3	-	C-1918404	-

CUSTOMER DRAWING

SCALE	SHEET	OF	REV
2:1	1	1	C