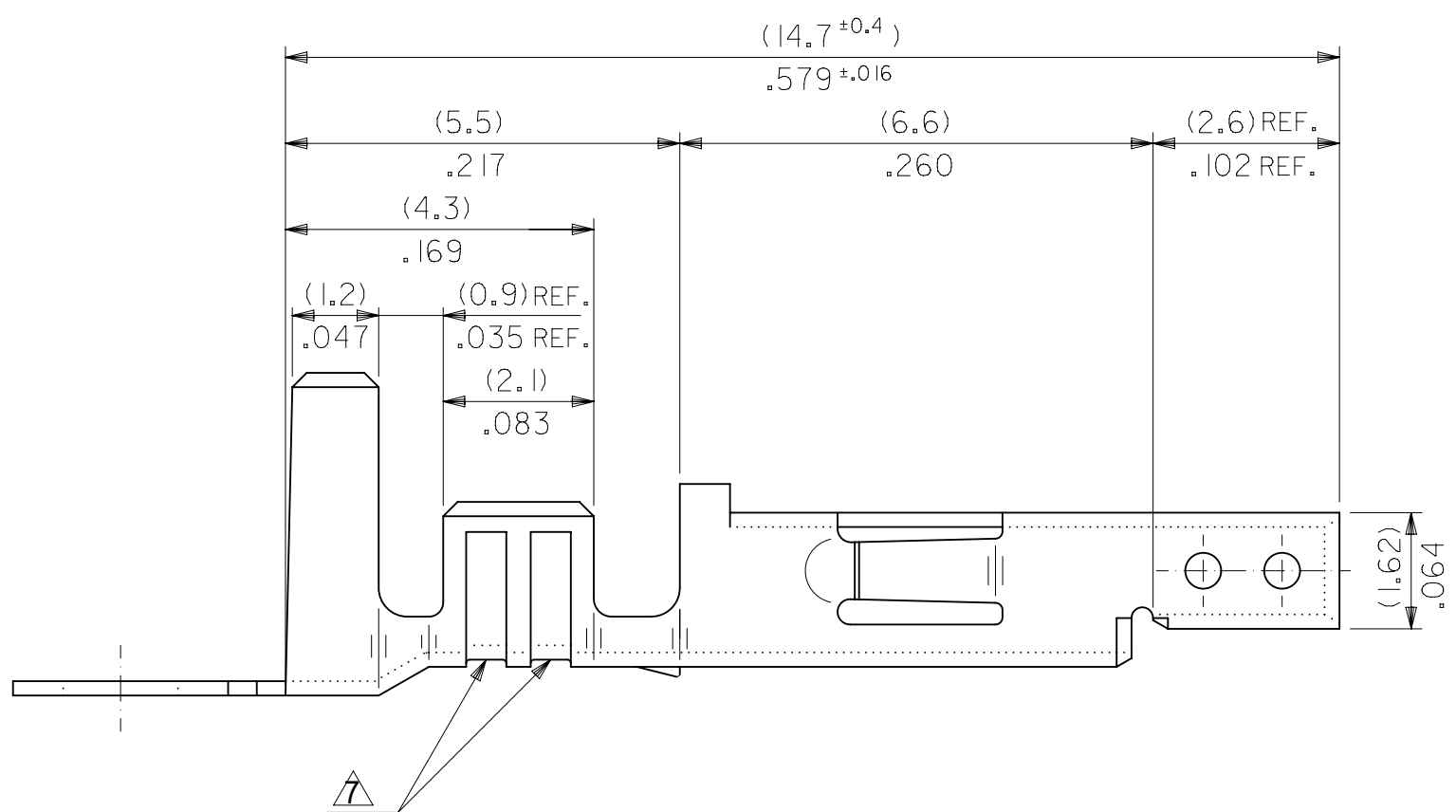
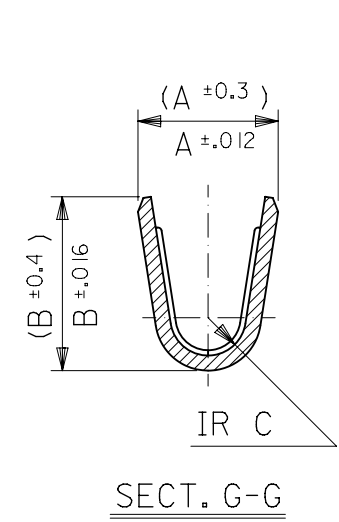


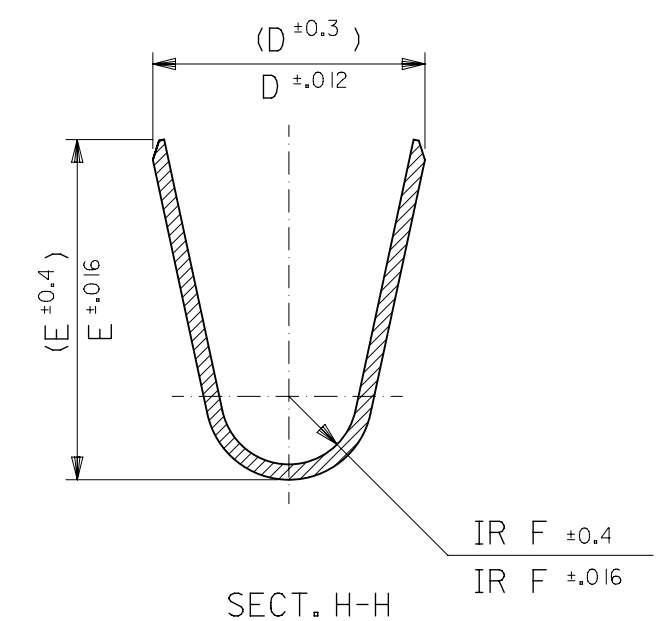
- NOTES
1. MATERIAL: SEE CHART.
 2. FINISH: SEE CHART.
 3. PRODUCT SPECIFICATION: PS-5556-001, PS-5556-002, PS-5556-003.
 4. PACKAGING SPECIFICATION: PK-5556-001 FOR CHAIN TERMINALS
PK-5556-003 FOR LOOSE TERMINALS.
 5. MATES WITH: 5558, 5566, 5569, 30069, 30070, 42440, 42404, 43879, 43810, 44068.
 6. APPLICABLE HOUSING: 5557, 30067, 44516, OR 42474.
 7. THE NUMBER OF SERRATIONS TO BE ONE FOR WIRE RANGE #22-28.
 8. WHEN TERMINALS ARE INSTALLED IN THE HOUSING THE WIRES ARE TO BE DRESSED IN SUCH A MANNER TO ALLOW THE TERMINALS TO FLOAT FREELY IN THE POCKET.
 9. PART CONFORMS TO CLASS "B" REQUIREMENTS OF COSMETIC SPECIFICATION PS-45499-002.
 10. TEXT ON PART IS FOR REFERENCE ONLY. TEXT AND TEXT LOCATION MAY VARY DEPENDING ON PART NUMBER AND/OR TOOL.



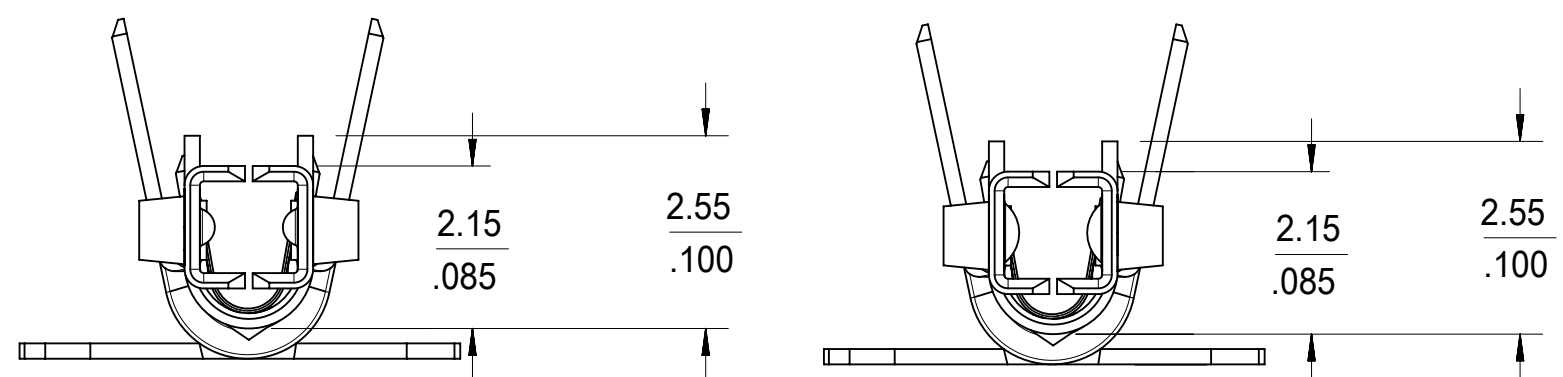
#18-24 TERMINAL SHOWN



SECT. G-G



SECT. H-H



CONTACT DIMPLE CONFIGURATIONS

SYMBOLS	THIS DRAWING CONTAINS INFORMATION THAT IS PROPRIETARY TO MOLEX ELECTRONIC TECHNOLOGIES, LLC AND SHOULD NOT BE USED WITHOUT WRITTEN PERMISSION									
	DIMENSION UNITS		SCALE		CURRENT REV DESC:					
∇ = 0	IN/MM		10:1		molex MINI FIT JR OVERALL TIN FEMALE CRIMP TERMINAL PRODUCT CUSTOMER DRAWING DOCUMENT NUMBER: 55560000-SD DOC TYPE: PSD DOC PART: 000 REVISION: A3 MATERIAL NUMBER: SEE CHART CUSTOMER: GENERAL MARKET SHEET NUMBER: 1 OF 2					
∇ = 0	GENERAL TOLERANCES (UNLESS SPECIFIED)									
∇ = 0		MM	INCH							
S = 0	4 PLACES	±								
∇ = 0	3 PLACES	±		± 0.008						
∇ = 0	2 PLACES	±	0.2	± 0.008						
∇ = 0	1 PLACE	±	0.2	±						
∇ = 0	0 PLACES	±		±						
∇ = 0	ANGULAR TOL		± 3.0 °		EC NO: 660823 DRWN: HPAN18 2021/04/14 CHK'D: YXZHENG 2021/04/14 APPR: YXZHENG 2021/04/14 INITIAL REVISION: DRWN: HIRAMOTO 1991/05/18 APPR: FSMITH 2011/02/21					
∇ = 0	DRAFT WHERE APPLICABLE MUST REMAIN WITHIN DIMENSIONS				THIRD ANGLE PROJECTION	DRAWING	SERIES	C-SIZE 5556		

H
G

REFLOWED MATTE TIN 0.00090/(.000035) MIN. (PREPLATE) (FINISH IS BRIGHT IN APPEARANCE, THICKNESS AS APPLIED PRIOR TO REFLOW)	PHOS BRONZE	(0.9) .035	(4.5) .177	(3.6) .142	(0.6) .024	(2.7) .106	(2.3) .091	∅ (3.1) .122 MAX.	16	N/A	39-00-0080	5556 PBT3L	LOOSE	
		(0.6) .024	(2.3) .091	(2.3) .091	(0.4) .016	(1.65) .065	(1.8) .071	∅ (0.9-1.8) .035-.071	22-28	20+22	-0079	PBT3	CHAIN	
		(0.9) .035	(4.5) .177	(3.6) .142	(0.5) .020	(2.3) .091	(1.9) .075	∅ (1.3-3.1) .051-.122	18-24	18+22	-0066	PBT2L	LOOSE	
		(0.6) .024	(2.3) .091	(2.3) .091	(0.4) .016	(1.65) .065	(1.8) .071	∅ (0.9-1.8) .035-.071	22-28	20+20	-0065	PBT2	CHAIN	
		(0.9) .035	(4.5) .177	(3.6) .142	(0.5) .020	(2.3) .091	(1.9) .075	∅ (1.3-3.1) .051-.122	18-24	N/A	-0060	PBTL	LOOSE	
		(0.6) .024	(2.3) .091	(2.3) .091	(0.4) .016	(1.65) .065	(1.8) .071	∅ (0.9-1.8) .035-.071	22-28	22+22	-0059	PBT	CHAIN	
REFLOWED MATTE TIN 0.00090/(.000035) MIN. OVER COPPER 0.00050/(.000020) MIN. (PREPLATE) (FINISH IS BRIGHT IN APPEARANCE, THICKNESS AS APPLIED PRIOR TO REFLOW)	BRASS	(0.9) .035	(4.5) .177	(3.6) .142	(0.6) .024	(2.7) .106	(2.3) .091	∅ (3.1) .122 MAX.	16	N/A	-0078	T3L	LOOSE	
		(0.6) .024	(2.3) .091	(2.3) .091	(0.4) .016	(1.65) .065	(1.8) .071	∅ (0.9-1.8) .035-.071	22-28	20+22	-0077	T3	CHAIN	
		(0.9) .035	(4.5) .177	(3.6) .142	(0.5) .020	(2.3) .091	(1.9) .075	∅ (1.3-3.1) .051-.122	18-24	18+22	-0047	T2L	LOOSE	
		(0.6) .024	(2.3) .091	(2.3) .091	(0.4) .016	(1.65) .065	(1.8) .071	∅ (0.9-1.8) .035-.071	22-28	20+20	-0046	T2	CHAIN	
		(0.9) .035	(4.5) .177	(3.6) .142	(0.5) .020	(2.3) .091	(1.9) .075	∅ (1.3-3.1) .051-.122	18-24	N/A	-0039	TL	LOOSE	
		(0.6) .024	(2.3) .091	(2.3) .091	(0.4) .016	(1.65) .065	(1.8) .071	∅ (0.9-1.8) .035-.071	22-28	22+22	39-00-0038	5556 T	CHAIN	
PLATING	MATERIAL	F	E	D	C	B	A	INS. RANGE	SINGLE WIRE	DOUBLE WIRE	EDP NO.	ENG. NO.	FORM	
									WIRE AWG RANGE					

C
B
A

THIS DRAWING CONTAINS INFORMATION THAT IS PROPRIETARY TO MOLEX ELECTRONIC TECHNOLOGIES, LLC AND SHOULD NOT BE USED WITHOUT WRITTEN PERMISSION																			
FUNCTIONAL SYMBOLS		DIMENSION UNITS		SCALE		CURRENT REV DESC:						molex							
$\nabla_A = 0$ $\nabla_C = 0$ $\nabla_P = 0$		mm		1:1		EC NO: 660823 DRWN: HPAN18 CHK'D: YXZHENG APPR: YXZHENG INITIAL REVISION: DRWN: AZAHIROVIC APPR: FSMITH													
DIVISIONAL SYMBOLS		GENERAL TOLERANCES (UNLESS SPECIFIED)		ANGULAR TOL ± 3.0°		4 PLACES ±		3 PLACES ±		2 PLACES ± 0.2		DOCUMENT NUMBER		DOC TYPE		DOC PART		REVISION	
						1 PLACE ± 0.2		0 PLACES ±		2021/04/14		2021/04/14		2021/04/14		55560000-SD		PSD 000 A3	
						DRAFT WHERE APPLICABLE MUST REMAIN WITHIN DIMENSIONS		THIRD ANGLE PROJECTION		DRAWING		SERIES		MATERIAL NUMBER		CUSTOMER		SHEET NUMBER	
										C-SIZE		5556				GENERAL MARKET		2 OF 2	

RELEASE STATUS	P1	RELEASE DATE	2021/04/14	14:25:12
----------------	----	--------------	------------	----------

12 11 10 9 8 7 6 5 4 3 2 1