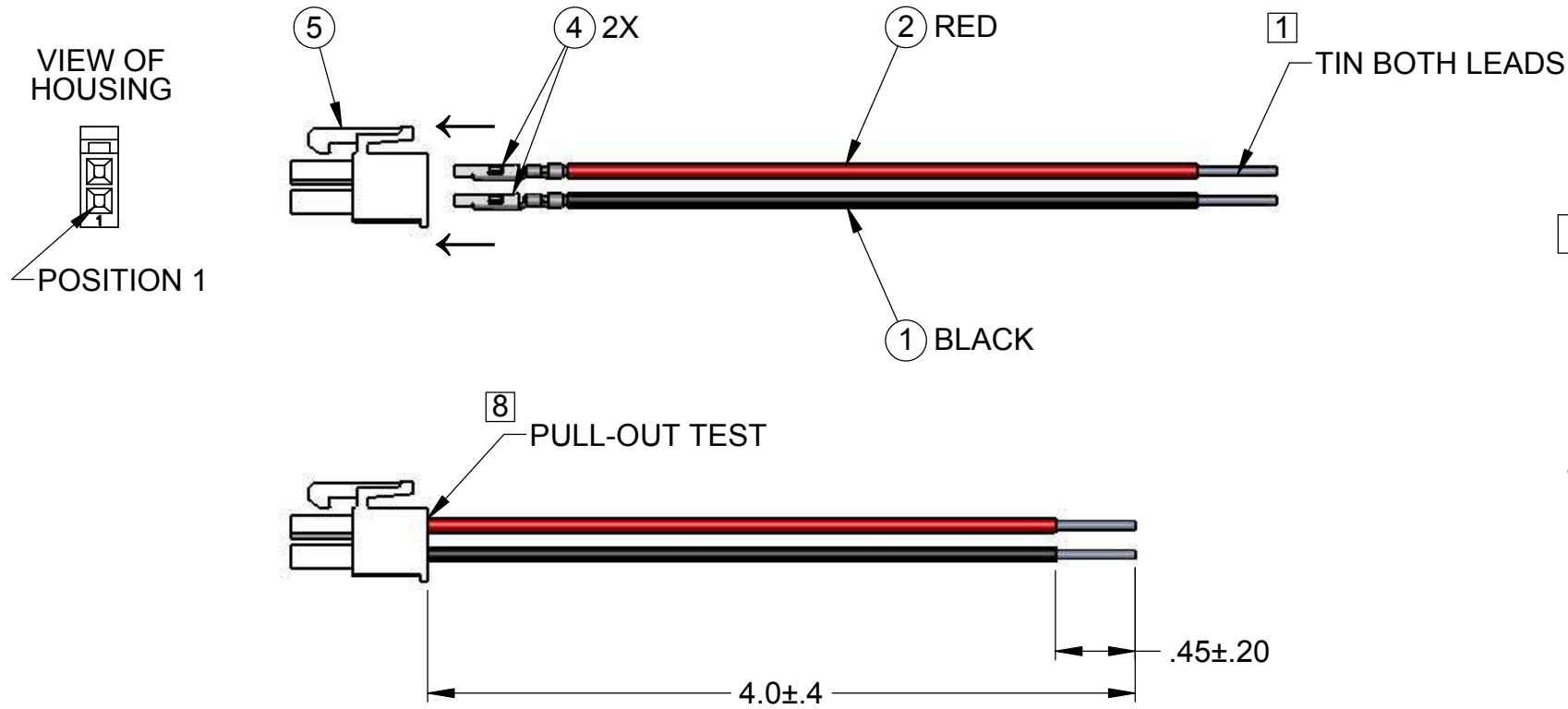


REVISION HISTORY			
REV	DESCRIPTION	DATE & CHGD BY	APPROVED
-	RELEASED	02/06/13 LAW	LWL
A	ECN 7182-2, UPDATED WIRE DESCRIPTIONS FOR STRIP LENGTH	02/11/13 LAW	LWL
B	ECN 7195, ADDED NOTE 9 RE: CUSTOMER LABEL REQUIREMENTS	02/21/13 LAW	LWL




NOTES:

1. WIRES (ITEMS 1 & 2) TO BE STRIPPED AND TINNED TO THE LENGTH SHOWN.
2. PARTS MUST BE CLEAN AND PACKAGED IN ZIP TOP BAG (ITEM 3) TO PREVENT DAMAGE. EACH BAG IS TO CONTAIN 10 ASSEMBLIES. PLACE LABEL (ITEM 6) ON OUTSIDE OF EACH BAG. ZIP TOP BAG WITH LABEL AND 10 ASSEMBLIES SHOULD WEIGH \_\_\_\_\_ OUNCES.
3. PLACE 25 BAGS (250 ASSEMBLIES) INTO A BOX. PLACE SHIPPING LABEL (ITEM 7) ON OUTSIDE OF EACH BOX OF 250 ASSEMBLIES.
4. RoHS CERTIFICATION MUST ACCOMPANY FIRST SHIPMENT.
5. BOXES OF 250 ASSEMBLIES CAN BE PLACED INTO A LARGER BOX FOR SHIPPING BUT MUST BE SUPPLIED IN A FASHION THAT IT CAN BE HANDLED WITH A STANDARD PALLET JACK. PLACE SHIPPING LABEL (ITEM 7) ON OUTSIDE OF OUTER BOX WITH PROPER QUANTITY FOR ENTIRE BOX LISTED ON THE LABEL.
6. MATERIAL TO BE DELIVERED IN A STANDARD DOCK HIGH TRUCK.
7. **CRITICAL TO QUALITY:** BLACK WIRE (ITEM 1) MUST BE INSTALLED INTO POSITION 1 OF HOUSING (ITEM 5).
8. PULL-OUT TEST TO BE PERFORMED ON WIRES AFTER INSERTION INTO HOUSING.
9. PACKAGE SHOULD BE MARKED WITH VENDOR ID, DATE, PART NUMBER, REVISION, PO AND QUANTITY. SEE SHIPPING LABEL (ITEM 7).

A/R	088888983	LABEL, SHIPPING, DIGIKEY	7	
A/R	088888982	LABEL, BAG, DIGIKEY	6	
1	036910000	HOUSING, RECEPTACLE, 2 POSITION, MOLEX 39-01-2020	5	
2	036890000	FEMALE PIN, MOLEX 39-00-0038	4	
A/R	013000001	BAG, ZIP TOP, 6" X 9"	3	
A	1	007475101	WIRE, #18 AWG, RED, 4.25, .45, .125	2
A	1	007475013	WIRE, #18 AWG, BLACK, 4.25, .45, .125	1
QTY.	PART NO.	DESCRIPTION	ITEM	

**CONFIDENTIAL - PROPRIETARY TO CURTIS INDUSTRIES** NOT TO BE SHARED WITH THIRD PARTY WITHOUT WRITTEN PERMISSION FROM CURTIS INDUSTRIES

CAD FILENAME: 045600000 RevB B.slddrw		PREVIOUS P/N: NONE		 <b>Curtis Industries</b> 2400 South 43rd Street Milwaukee, WI 53219 A Div. of Powers Holdings, Inc. Phone: (414) 649-4200	
SPECIAL INSTRUCTIONS N/A		UNLESS OTHERWISE SPECIFIED DIMENSIONS ARE IN INCHES. TOLERANCES ARE: $\angle$ TOL. = 0° 30' .XX TOL. = ±.01 .XXX TOL. = ±.005		TITLE WIRE/CONNECTOR ASSEMBLY DIGIKEY P/N BLP-SC000002	
FINISH N/A		SCALE 1:1	DRAWN LAW	CHECKED L.W.LAZAR	DATE 02/06/13
MATERIAL SEE B.O.M.		SIZE B	SHT 1 OF 1	DWG. NO. 045600000	REV. B

