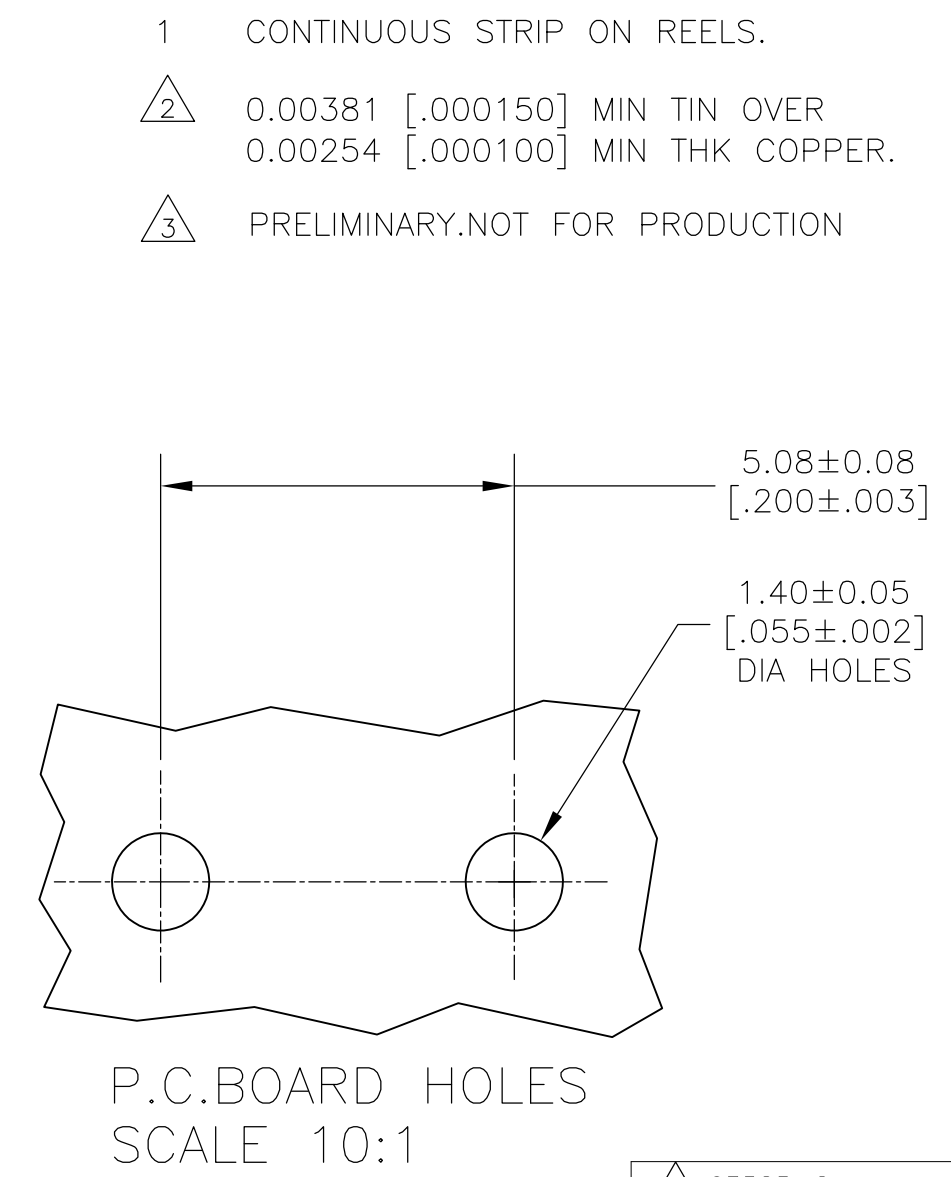
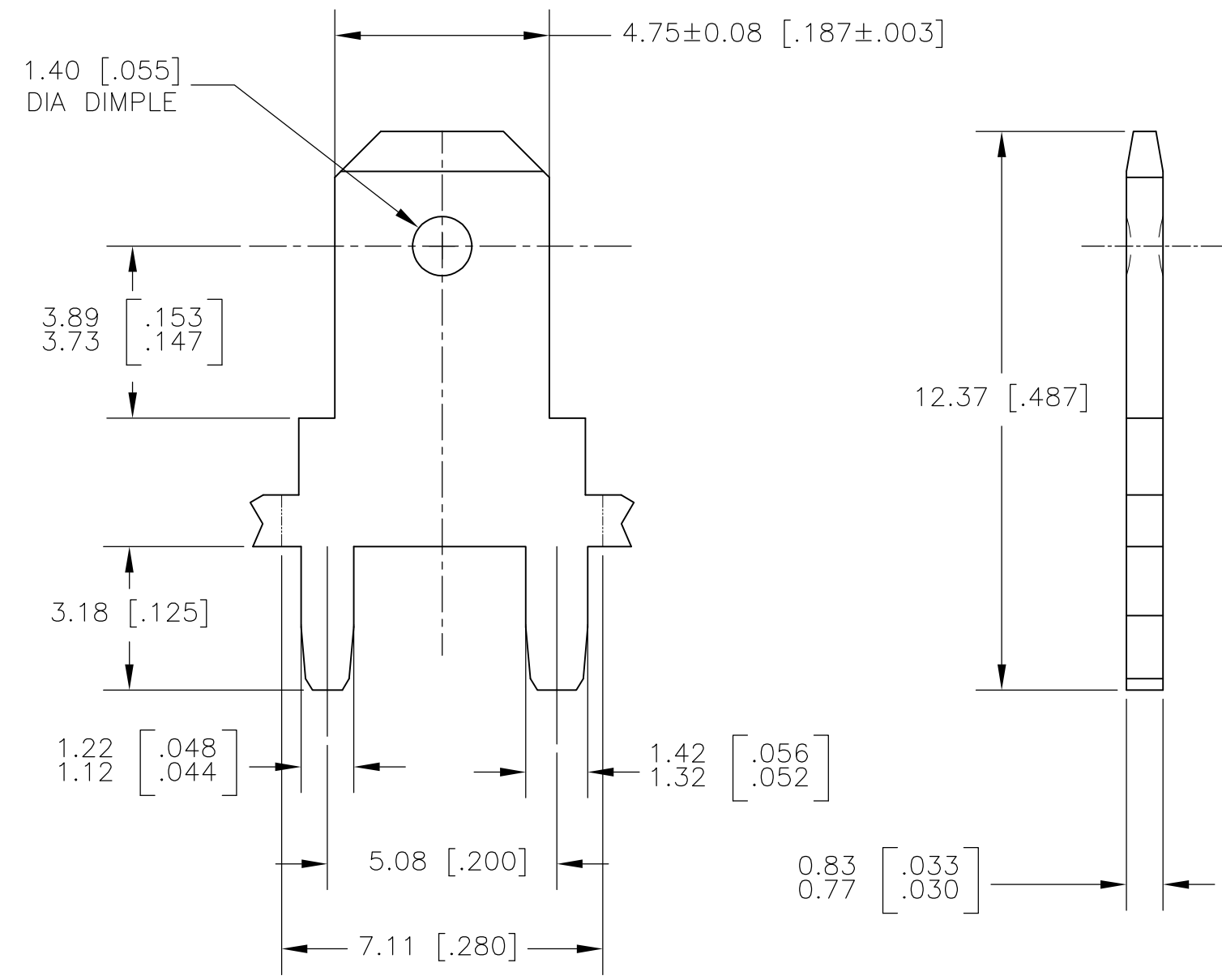


LOC	DIST	REVISIONS					
AF	50	P	LTR	DESCRIPTION	DATE	DWN	APVD
			E	REVISED PER ECR-13-001204	20JUN13	KH	PD
			F	REVISED PER ECR-15-001674	02FEB15	PK	TD



- 1 CONTINUOUS STRIP ON REELS.
- △2 0.00381 [.000150] MIN TIN OVER
0.00254 [.000100] MIN THK COPPER.
- △3 PRELIMINARY. NOT FOR PRODUCTION

△3	63525-2
	63525-1
	PART NUMBER

THIS DRAWING IS A CONTROLLED DOCUMENT.		DWN	JR RUTH	30NOV00	TE Connectivity
DIMENSIONS: mm[INCHES]		CHK	MS FEHER	30NOV00	
		APVD	G PORTA	30NOV00	
TOLERANCES UNLESS OTHERWISE SPECIFIED: 0 PLC ± - 1 PLC ± - 2 PLC ± 0.25 [.010] 3 PLC ± - 4 PLC ± - ANGLES ± -		PRODUCT SPEC	NAME		
MATERIAL	BRASS	FINISH	TIN OVER COPPER	△2	TAB, FASTON, PC BOARD, 4.75 [.187] SERIES
		WEIGHT	-	SIZE A3 CAGE CODE 00779 DRAWING NO C-63525	RESTRICTED TO
CUSTOMER DRAWING			SCALE	8:1	SHEET 1 OF 1
			REV	F	