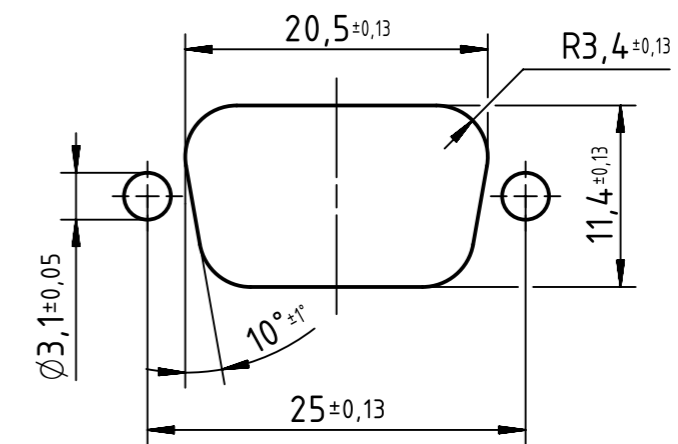
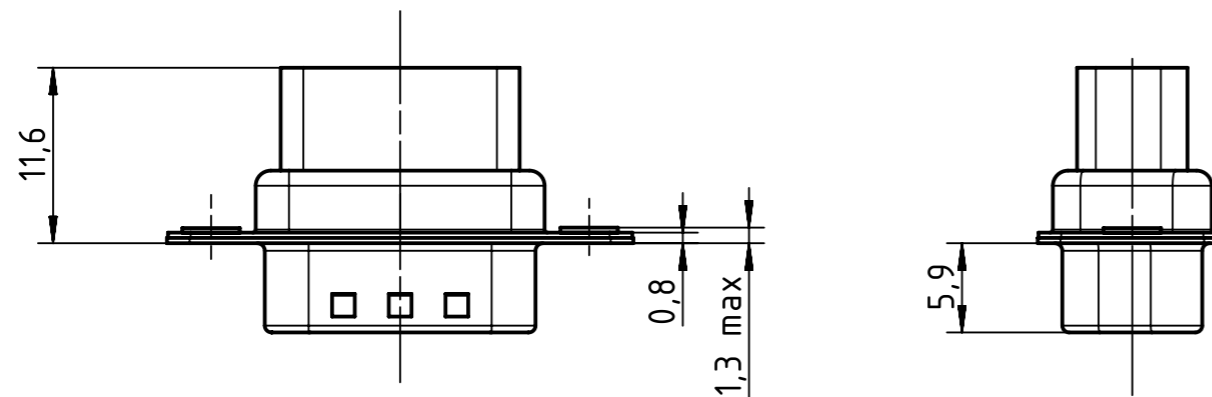
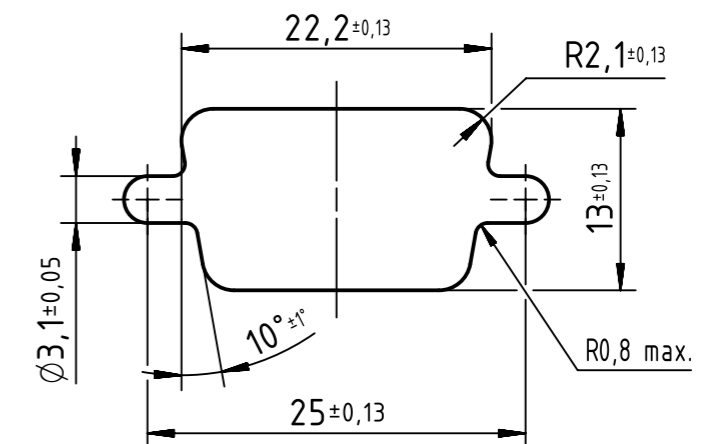
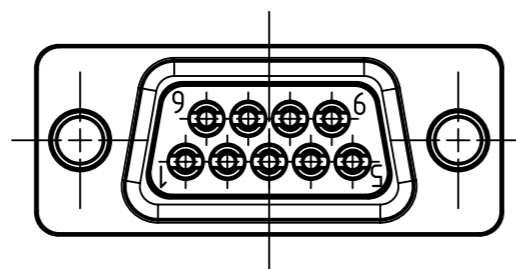


Rear mounting panel cut out



Front mounting panel cut out



0967 009 5601 280	100pcs into one polybag
0967 009 5601	Standard packing in tray
Part number	Packing information

	All rights reserved		Scale 2:1		Free size tol.		Ref.	
	Department EC PD - CN		Created by ZHUANGJ	Inspected by LUOK	Standardisation KOHLER	Date 2017-08-04	State Final Release	
HARTING Electronics GmbH		Title D-Sub crimp 09-pole male assembly				Doc-Key / ECM-Nr. 100235516/UGD/001/C 500000123273		
D-32339 Espelkamp		Type TB	Number 09670095601			Rev. C	Page 1/1	