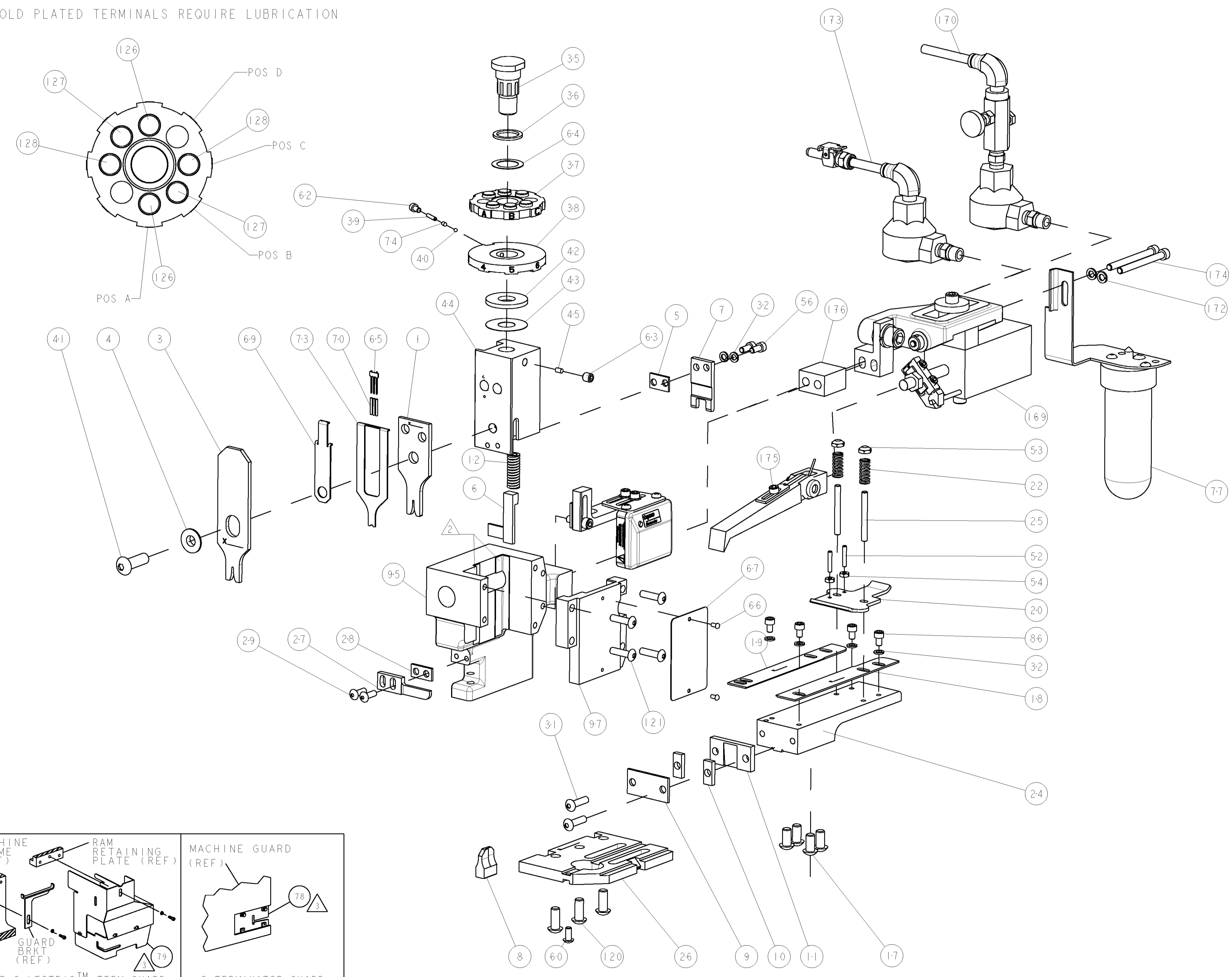


PART NUMBER	REV	FIRST USED	POWER UNIT	FEED TYPE
1852313-1	A	122500-1	LEADMAKER & BENCH MODEL G	AIR FEED
1852313-2	A	565435-5	BENCH MODEL K	AIR FEED
7-1852313-7	A	-	SPARE PARTS	-

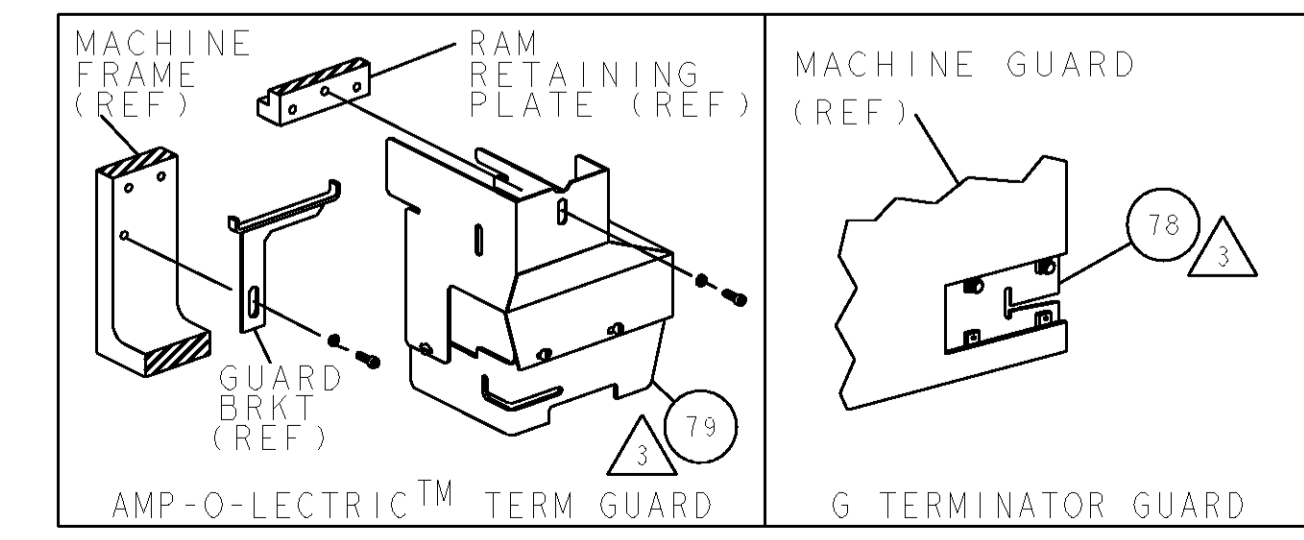
TE PN	MFG PN	TE PN	MFG PN	FCI TERMINAL - FCI CRIMP SPECS	
1949108	75691-007	286980-6	48249-000LF	CRIMP HEIGHT	
-	75691-008	286980-7	48048-000LF	WIRE SIZE	
-	75691-009	286980-8	48246-000LF	A	.028±.002 [.71±0.05mm]
286980	48045-000			B	.027±.002 [.69±0.05mm]
-	48045-001			C	.026±.002 [.66±0.05mm]
-	48045-002			D	-
-	47650-000			CRIMP	SIZE
286980-5	48243-000LF			WIRE	.042 [1.07mm]
-	-			INSUL	.062 [1.57mm]
-	-			FEED	.600
WIRE STRIP LENGTH	TERM APPL SPEC	NONE		APPL INSTRUCTIONS	408-8039
.160				SET UP GAGE	458638-1

LOC	DIST	REVISIONS			
A	66	P	LTN	DESCRIPTION	DATE
		A2		ECR-08-010313	22APR2008
		A3		ECR-08-024919	02OCT2008

- 1 RECOMMENDED SPARE PARTS
- 2 GREASE LIGHTLY
- 3 GUARD MUST BE IN PLACE WHEN OPERATING APPLICATOR IN A BENCH MACHINE
- 4 GOLD PLATED TERMINALS REQUIRE LUBRICATION



QTY	DESCRIPTION	ITEM NO
-	461690-1 SPACER, AIR FEED	176
-	460680-2 FEED FINGER ASSEMBLY	175
-	4-21000-3 SCR, SKT HD CAP 10-32 X 2.000	174
-	692655-7 AIR FEED VALVE ASSEMBLY	173
-	21024-5 WASHER, SPRG LOCK, REG NO 10	172
-	692655-5 AIR FEED VALVE ASSEMBLY	170
-	460277-1 AIR FEED ASSY	169
-	6-354779-4 PIN, WIRE DISC, .3310	128
-	6-354779-1 PIN, WIRE DISC, .3295	127
-	6-354779-0 PIN, WIRE DISC, .3290	126
-	2-21002-9 SCR, BTN SKT HD CAP 10-32 X .750	121
-	2-22733-8 SCR, BHSC, SELF-LOCKING, 1/4-20 X .625	120
-	454220-1 CAP, RAM	97
-	453736-1 HOUSING, APPLICATOR	95
-	2-21000-5 SCR, SKT HD CAP 8-32 X .250	86
-	455745-1 GUARD WINDOW	79
-	REF 679532-1 INSERT, GUARD	78
-	465184-9 LUBRICATOR ASSY	77
-	690603-1 SPRING ASSIST AMP-O-MATOR APPLICATOR	74
-	1490525-2 DEPRESSOR, WIRE	73
-	217238-1 GENERAL INSTRUCTION PKG	72
-	4088039 EF APPL INST 408-8039	71
-	23147-7 SPRING, COMPRESSION	70
-	1490524-2 DEPRESSOR, SPACER	69
-	461264-1 PLATE, IDENTIFICATION	67
-	21017-2 SCREW, DRIVE	66
-	1424350-1 HOLDER, PIN, WIRED	65
-	986950-1 WASHER, FLAT PRECISION	64
-	21009-2 SCR, SET, SELF LOCKING 1/4-20 X .250	63
-	23030-1 SCR, SKT HD CAP 6-32 X .25	62
-	22733-8 SCR, BHSC, SELF-LOCKING, 8-32 X .375	60
-	2-21000-6 SCR, SKT HD CAP 8-32 X .375	56
-	21018-4 NUT, HEX, REG 4-40	54
-	21022-2 NUT, LOCK, HEX, TORQUE, 8-32	53
-	2-21006-6 SCR, SET, CUP POINT 4-40 X .625	52
-	690191-1 PLUG, NYLON	45
-	455674-2 RAM	44
-	690125-1 SHIM SUB-ASSY	43
-	690124-1 WASHER, RAM (.115)	42
-	7-21002-9 SCR, BTN SKT HD CAP 5/16-24 X 1.00	41
-	23241-6 BALL, STEEL	40
-	690170-1 SPRING, COMPRESSION	39
-	690142-1 DISC, INSULATION	38
-	354777-1 WIRE DISC, ASSEMBLY	37
-	22480-5 SPRING, COMPRESSION	36
-	690212-1 POST, RAM	35
-	21024-4 WASHER, SPRG LOCK, REG NO 8	32
-	2-21002-9 SCR, BTN SKT HD CAP 10-32 X .750	31
-	2-21002-2 SCR, BTN SKT HD CAP 8-32 X .500	29
-	3-690451-2 SPACER, STRIPPER	28
-	240639-1 STRIPPER (MACHINING)	27
-	455676-1 PLATE, BASE	26
-	22354-8 STUD, THREADED	25
-	455678-1 PLATE, STRIP GUIDE	24
-	4-22281-1 SPRING, DRAG	22
-	454177-1 DRAG	20
-	4-458030-9 STRIP GUIDE, REAR	19
-	5-458031-0 STRIP GUIDE, FRONT	18
-	3-21002-3 SCR, BTN SKT HD CAP 1/4-20 X .500	17
-	23846-1 SPRING, DIE	12
-	240644-1 PLATE, REAR SHEAR	11
-	2-240645-7 SPACER, SHEAR PLATE	10
-	1-240642-3 PLATE, FRONT SHEAR	9
-	5-356038-4 ANVIL, COMBINATION	8
-	7-240651-4 BLADE, SLUG	7
-	3-455892-8 HOLD DOWN, TERMINAL	6
-	8-240641-7 SPACER	5
-	238009-1 BLOCK, FL CRIMPER SPACER	4
-	4-456135-3 CRIMPER, INSULATION O PREMIUM	3
-	1-456401-0 CRIMPER, WIRE PREMIUM	1



77-2-1	U/M	PART NO	DESCRIPTION	ITEM NO												
<table border="1"> <tr> <td colspan="2"> <small>THIS DRAWING IS UNPUBLISHED. RELEASED FOR PUBLICATION BY TYCO ELECTRONICS CORPORATION. ALL RIGHTS RESERVED. COPYRIGHT 2008</small> </td> <td> DWN EL GROSS 18AUG2006 CHK R. O. WILSON 23AUG2006 APVD J. ELBIN 23AUG2006 </td> <td> tyco Tyco Electronics Harrisburg, PA 17105-3608 </td> </tr> <tr> <td colspan="2"> DIMENSIONS: INCHES 0 PLC ±.001 1 PLC ±.01 3 PLC ±.001 4 PLC ±.0001 ANGLES ±.001 </td> <td> TOLERANCES UNLESS OTHERWISE SPECIFIED: 0 PLC ±.001 1 PLC ±.01 3 PLC ±.001 4 PLC ±.0001 ANGLES ±.001 </td> <td> PRODUCT SPEC APPLICATION SPEC SIZE CAGE CODE DRAWING NO RESTRICTED TO </td> </tr> <tr> <td colspan="2"> MATERIAL FINISH </td> <td> WEIGHT CUSTOMER DRAWING </td> <td> SCALE 3:5 SHEET 1 OF 1 REV A3 </td> </tr> </table>					<small>THIS DRAWING IS UNPUBLISHED. RELEASED FOR PUBLICATION BY TYCO ELECTRONICS CORPORATION. ALL RIGHTS RESERVED. COPYRIGHT 2008</small>		DWN EL GROSS 18AUG2006 CHK R. O. WILSON 23AUG2006 APVD J. ELBIN 23AUG2006	tyco Tyco Electronics Harrisburg, PA 17105-3608	DIMENSIONS: INCHES 0 PLC ±.001 1 PLC ±.01 3 PLC ±.001 4 PLC ±.0001 ANGLES ±.001		TOLERANCES UNLESS OTHERWISE SPECIFIED: 0 PLC ±.001 1 PLC ±.01 3 PLC ±.001 4 PLC ±.0001 ANGLES ±.001	PRODUCT SPEC APPLICATION SPEC SIZE CAGE CODE DRAWING NO RESTRICTED TO	MATERIAL FINISH		WEIGHT CUSTOMER DRAWING	SCALE 3:5 SHEET 1 OF 1 REV A3
<small>THIS DRAWING IS UNPUBLISHED. RELEASED FOR PUBLICATION BY TYCO ELECTRONICS CORPORATION. ALL RIGHTS RESERVED. COPYRIGHT 2008</small>		DWN EL GROSS 18AUG2006 CHK R. O. WILSON 23AUG2006 APVD J. ELBIN 23AUG2006	tyco Tyco Electronics Harrisburg, PA 17105-3608													
DIMENSIONS: INCHES 0 PLC ±.001 1 PLC ±.01 3 PLC ±.001 4 PLC ±.0001 ANGLES ±.001		TOLERANCES UNLESS OTHERWISE SPECIFIED: 0 PLC ±.001 1 PLC ±.01 3 PLC ±.001 4 PLC ±.0001 ANGLES ±.001	PRODUCT SPEC APPLICATION SPEC SIZE CAGE CODE DRAWING NO RESTRICTED TO													
MATERIAL FINISH		WEIGHT CUSTOMER DRAWING	SCALE 3:5 SHEET 1 OF 1 REV A3													
END FEED HDM APPLICATOR			A1 00779 ©=1852313													
CUSTOMER VIEWABLE ASSEMBLY																