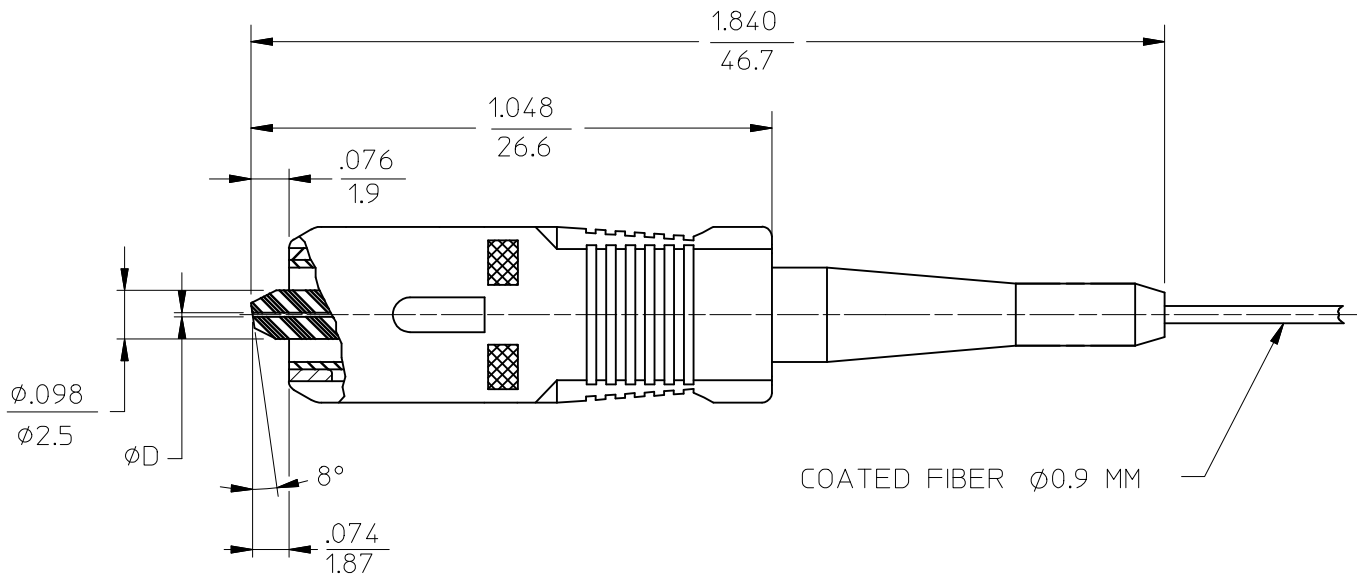
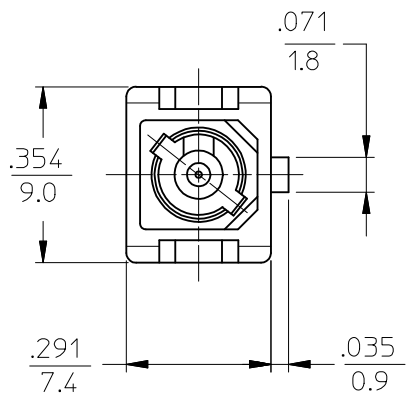


CONNECTOR P/N	D (Hm)	FERRULE MATERIAL	COLOR of HOUSING AND BOOT
106065-2500	125.5	Zr	GREEN
106065-4500	125		
106065-5500	126		
106065-5510*	126		
106065-5510*	127		



NOTES:

\*1. P/N 106065-5510 IS BULK PACKED IN QUANTITIES OF 100 PCS.

<b>ENTER DESCRIPTION</b> EC NO: MF2009-0272 DRW: KPEVZNER 2008/12/09 CHKD: 2008/12/09 APPR: LGUMIN 2008/12/10	<b>QUALITY SYMBOLS</b>  	<b>GENERAL TOLERANCES (UNLESS SPECIFIED)</b>		<b>DIMENSION STYLE</b> IN/MM	<b>SCALE</b> 1:1	<b>DESIGN UNITS</b> INCH	<b>THIRD ANGLE PROJECTION</b>		
		4 PLACES ± --- ± --- 3 PLACES ± --- ± --- 2 PLACES ± --- ± --- 1 PLACE ± --- ± ---	mm INCH ± --- ± --- ± --- ± --- ± --- ± --- ± --- ± ---	DRAWN BY PGIBLIN	DATE 2005/09/27	<b>TITLE</b> SC APC BARE FIBER CONNECTOR			
		ANGULAR ±1/2°		APPROVED BY <b>MOLEX INCORPORATED</b>	DATE	<b>DOCUMENT NO.</b> SD-106065-X500			
		DRAFT WHERE APPLICABLE MUST REMAIN WITHIN DIMENSIONS		MATERIAL NO. <b>SEE TABLE</b>	DATE	SHEET NO. 1 OF 1	THIS DRAWING CONTAINS INFORMATION THAT IS PROPRIETARY TO MOLEX INCORPORATED AND SHOULD NOT BE USED WITHOUT WRITTEN PERMISSION		