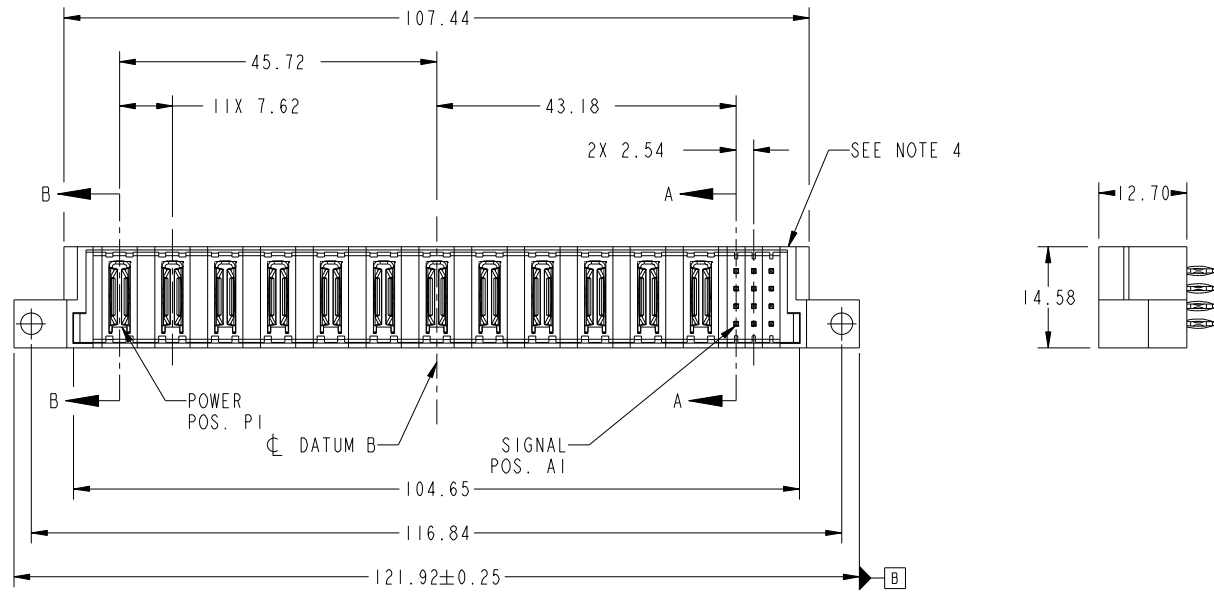


Tous droits strictement réservés. Reproduction ou communication a des tiers interdite sous quelque forme que ce soit sans autorisation écrite du propriétaire. Propriété de c FCI. Droits de reproduction FCI.



All rights strictly reserved. Reproduction or issue to third parties in any form whatever is not permitted without written authority from the proprietor. Property of FCI. Copyright FCI.

PRODUCT NO. 51963-054 NOTE ③	ROWS D C B A	E1	POWER										SIGNAL			E2		
			P1	P2	P3	P4	P5	P6	P7	P8	P9	P10	P11	P12	1		2	3
			PC	PC	PC	PC	PC	PC	PC	PC	PC	PC	PC	PC	G	G	G	



CODE	DIM "M" MATING LENGTH	CONTACT TYPE
PC	[N/A]	POWER
G	[6.86]	SIGNAL

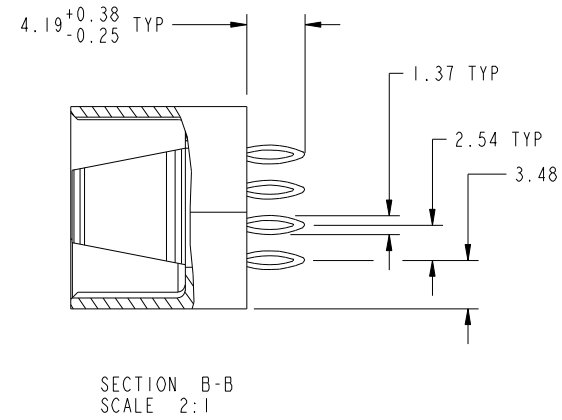
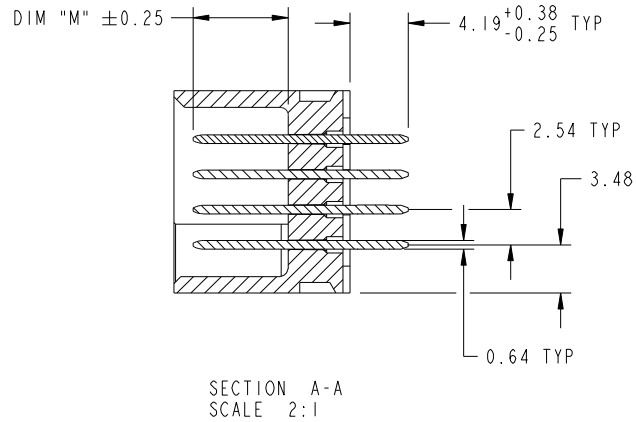
mat'l code				tolerances unless otherwise specified				CUSTOMER		FCI	
ltr	ecn no.	dr	date	linear	0.X ±0.5	COPY		www.fciconnect.com		title	
A	DG10-0158	HW	4/29/10	angles	0.XX ±0.25	projection		12P + 12S		VERTICAL PRESS FIT HEADER	
					0.XXX ±0.1	MIM		product family		PwrBlade	
				dr	0° ±2°	scale		size		code	
				enr	HENRY WANG 4/07/10	1:1		dwg no		213	
				chr	HENRY WANG 4/07/10			51963-054		sheet	
				appd	PM ZHENG 4/07/10			1 of 4			
					JOSEPH HSIA 4/07/10						
sheet index	revision sheet	A 1	A 2	A 3	A 4						
				Pro/E				3		cage code 22526	
								4			

Tous droits strictement reserves. Reproduction ou communication a des tiers interdite sous quelque forme que ce soit sans autorisation écrite du propriétaire. Propriete de c FCI. Droits de reproduction FCI.



All rights strictly reserved. Reproduction or issue to third parties in any form whatever is not permitted without written authority from the proprietor. Property of FCI. Copyright FCI.

PRODUCT NUMBER
51963-054__
NOTE 3



mat'l code				tolerances unless otherwise specified		CUSTOMER		FCI	
ltr	ecn no.	dr	date	linear	0.X ±0.5	COPY		www.fciconnect.com	
A					0.XX ±0.25	projection		title	
				angles	0.XXX ±0.1			12P + 12S VERTICAL PRESS FIT HEADER	
				dr	0° ±2°			product family PwrBlade code	
				enr	HENRY WANG 4/07/10	scale		size	
				chr	HENRY WANG 4/07/10	1:1		dwg no	
				appd	PM ZHENG 4/07/10	A		51963-054	
					JOSEPH HSIA 4/07/10			sheet	
sheet index	revision sheet							2 of 4	

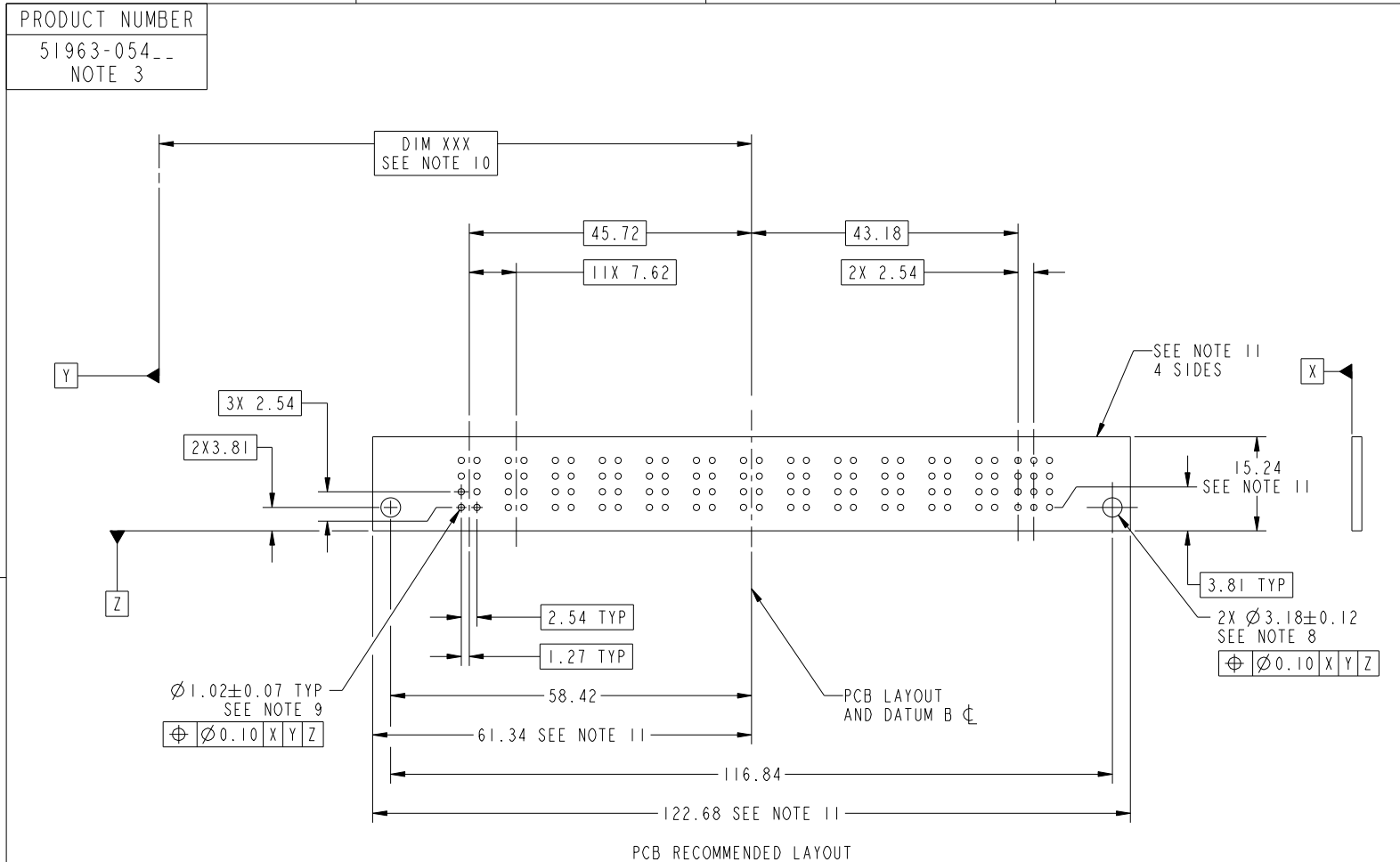
cage code 22526

Pro/E

Tous droits strictement reserves. Reproduction ou communication a des tiers interdite sous quelque forme que ce soit sans autorisation écrite du propriétaire. Propriete de c FCI. Droits de reproduction FCI.



All rights strictly reserved. Reproduction or issue to third parties in any form whatever is not permitted without written authority from the proprietor. Property of FCI. Copyright FCI.



mat'l code				tolerances unless otherwise specified		CUSTOMER		FCI	
ltr	ecn no.	dr	date	linear	0.X ± 0.5	COPY		www.fciconnect.com	
A					0.XX ± 0.25	projection		title	
				angles	0.XXX ± 0.1			12P + 12S VERTICAL PRESS FIT HEADER	
				dr	0° ± 2°			product family PwrBlade code	
				enr	HENRY WANG 4/07/10	scale		size	
				chr	HENRY WANG 4/07/10	1:1		dwg no	
				appd	PM ZHENG 4/07/10			51963-054	
					JOSEPH HSIA 4/07/10			sheet	
sheet index		revision sheet						3 of 4	

cage code 22526

Tous droits strictement reserves. Reproduction ou communication a des tiers interdite sous quelque forme que ce soit sans autorisation écrite du propriétaire. Propriete de c FCI. Droits de reproduction FCI.



All rights strictly reserved. Reproduction or issue to third parties in any form whatever is not permitted without written authority from the proprietor. Property of FCI. Copyright FCI.

PRODUCT NUMBER
51963-054_
NOTE 3

NOTES:

1. DIMENSIONS AND TOLERANCES ARE IN ACCORDANCE WITH ASME Y14.5M, 1994 UNLESS OTHERWISE SPECIFIED.

CONNECTOR NOTES:

- 2 HOUSING MATERIAL: UL 94 V-0 GLASS FILLED HIGH-TEMP THERMOPLASTIC
POWER CONTACT MATERIAL: COPPER ALLOY
SIGNAL PIN MATERIAL: COPPER ALLOY
- 3. PLATING:
SEE ITEM 3 & 4 IN PRINT 10064183 FOR PLATING SPEC OF 51963-054; 51963-054LF PRESPECTIVELY

4 MANUFACTURER'S NAME, DATE CODE AND OPTIONAL P/N TO APPEAR ON THIS SURFACE. THE P/N CAN BE OMITTED IF THERE IS NOT ENOUGH SPACE ON THIS SURFACE.

5. PRODUCT SPECIFICATION GS-12-149.
APPLICATION SPECIFICATION BUS-20-067.

6. PACKAGED IN TRAYS.

PCB NOTES:

- 7. ALL HOLE DIAMETERS ARE FINISHED HOLE SIZE.
- 8. MOUNTING HOLES, WHERE APPLICABLE, ARE UNPLATED.

9 $\varnothing 1.151 \pm 0.025$ DRILLED HOLES PLATED WITH
0.008 MIN SnPb OR Sn OVER .001 [0.03]
TO 0.08 Cu PLATING TO ACHIEVE
 $\varnothing 1.02 \pm 0.07$ HOLE.

10 "DIM XXX" TO BE DETERMINED BY THE CUSTOMER.

11 CONNECTOR KEEP-OUT ZONE.

12. FOR PRESS FIT APPLICATION USE FCI CAM TOOL 430169-XXX.

mat'l code				tolerances unless otherwise specified		CUSTOMER		FCI	
ltr	ecn no.	dr	date	linear	0.X ± 0.5	COPY		www.fciconnect.com	
A					0.XX ± 0.25	projection		title	
				angles	0.XXX ± 0.1			12P + 12S	
				dr	0° ± 2°	MIM		VERTICAL PRESS FIT HEADER	
				enr	HENRY WANG 4/07/10	product family		PwrBlade	
				chr	HENRY WANG 4/07/10	size		213	
				appd	PM ZHENG 4/07/10	scale		sheet	
					JOSEPH HSIA 4/07/10	1:1		4 of 4	
sheet index		revision sheet				A		51963-054	

cage code 22526

Pro/E