

Features

- Universal Input 100-240VAC
- Approved to UKCA, cULus, TUV, CE, RoHS
- IEC/EN 62368-1 Safety Approved
- Meets Efficiency Level VI
- FCC Class B Certified
- Single Output 5~24V DC
- OVP, OCP, OTP, SCP



Ideal Power's 25HK-AP-xAz-CP-3A 6W AC/DC External Adapter Interchangeable Power Supply (PSU) Series are certified to UKCA, cULus, TUV, CE, RoHS & EN 62368-1/IEC 62368-1/UL 62368-1 Standards and comply with (EU) 2019/1782, Level VI Efficiency Regulations. These are primarily used in ITE, Audio & Video Industries and customised solutions are available upon request.

Models

| Model Number | Output Voltage | Output Current | Output Power | Efficiency % |
|-----------------------|----------------|----------------|--------------|--------------|
| 25HK-AP-050A120-CP-3A | 5 V DC | 1.2A | 6W | 75 |
| 25HK-AP-060A100-CP-3A | 6V DC | 1A | 6W | 78.88 |
| 25HK-AP-090A067-CP-3A | 9 V DC | 0.67A | 6W | 78.91 |
| 25HK-AP-120A050-CP-3A | 12 V DC | 0.50A | 6W | 78.88 |
| 25HK-AP-150A040-CP-3A | 15 V DC | 0.40A | 6W | 78.88 |
| 25HK-AP-240A025-CP-3A | 24 V DC | 0.25A | 6W | 78.88 |

General Specifications

| | |
|-------------------------|--|
| Type | Switched Mode Power Supply |
| Plug Type | Australia, European Plug, UK, US |
| Output Connector | 2.1mm x 5.5mm x 12mm Centre Positive |
| Input Connector | Universal Plug |
| Number Of Outputs | 1 |
| Regulated/Unregulated | Regulated |
| Efficiency | Up to 78.88 |
| Energy Efficiency Level | VI |
| Applications | Peripheral equipment, Networking equipment, Portable equipment, Telecommunications equipment |

Output Data

| | |
|---------------------------|--|
| Output Voltage | 5 ~24 V DC |
| Input Voltage Range | 100 ~ 240V AC \pm 10% |
| Output Regulation | 4.75-5.25V |
| Power Rating | 6W |
| Load Regulation | \pm 5% |
| Dielectric Withstand | AC 3000 Vrms ,4mA,1minute for type test, 2 second for production test |
| Input Frequency | 47H - 63Hz |
| Hold-up time | 10ms Min at 110VAC full load |
| Inrush Current | 60A Max |
| No Load Power Consumption | 0.1W Max |
| Ripple and Noise | 300mV Max @20MHz bandwidth with 10UF/50V capacitance and 104/50V ceramic capacitor |
| MTBF | 50,000 hours at 25 centigrade degrees |
| Line Regulation | \pm 2% maximum |
| Short Circuit | Yes |

Mechanical Specifications

| | |
|--------------|--------------------|
| Cable Length | 6ft Minimum AWG#22 |
| Width | 38mm |
| Length | 64.5mm |
| Depth | 34.8mm |

Operation Environment Specifications

| | |
|-----------------------|---------------|
| Operation Temperature | 0°C ~ 40°C |
| Storage Temperature | -20°C ~ +70°C |
| Humidity | 10% ~ 95% |

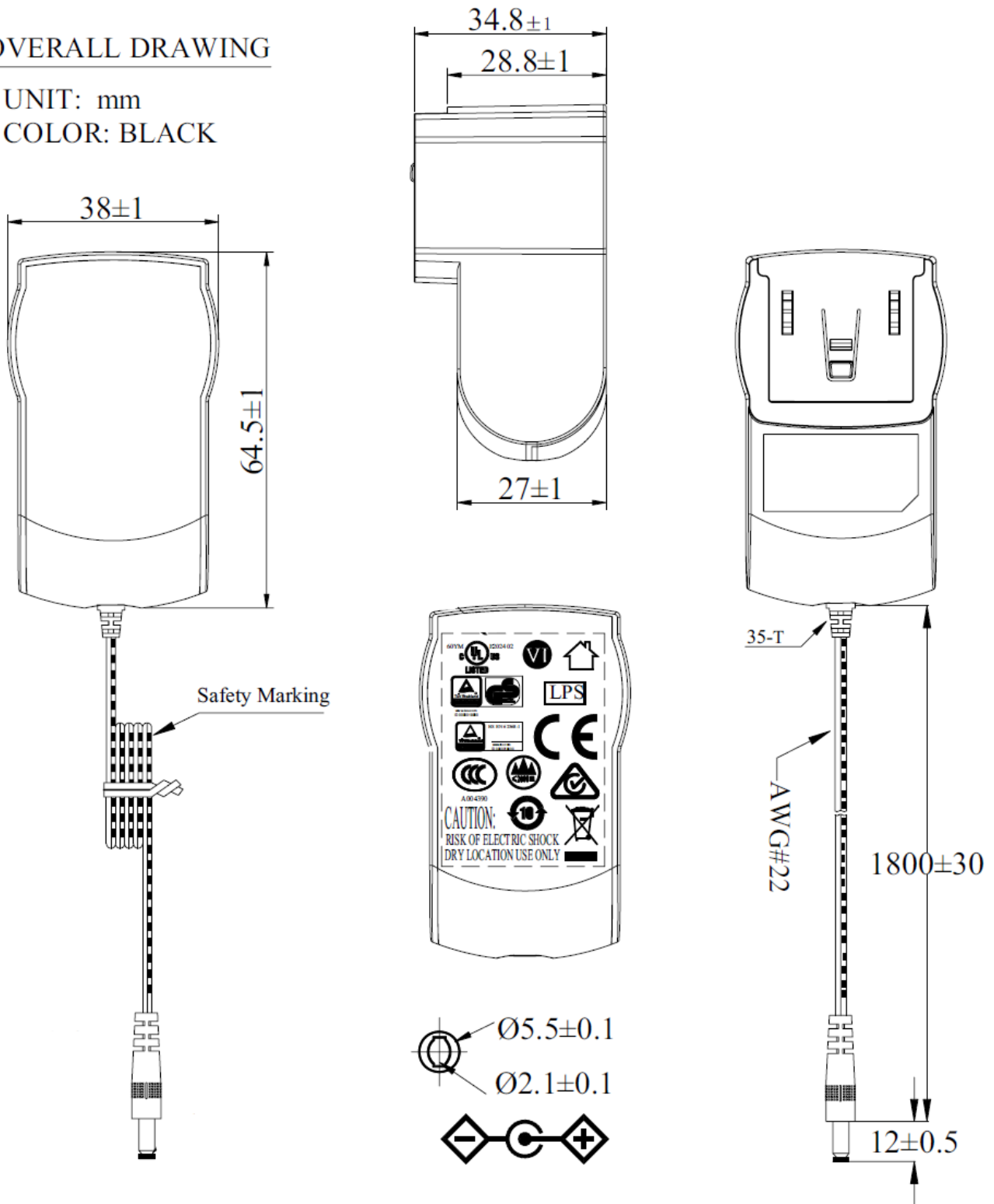
Approvals

| | |
|---------------------------|---|
| Standards Met | AS/NZS 60950.1, BS EN 60950-1, CB, CE, CSA C22.2 No. 60950-1-07, cUL, EN 60950-1, ErP III (Level VI) Efficiency Compliant, FCC, J60950-1, SAA, TUV, UL, UL 60950-1 |
| Compliance/Certifications | UKCA, cULus, TUV, CE, RoHS |

Mechanical Drawing

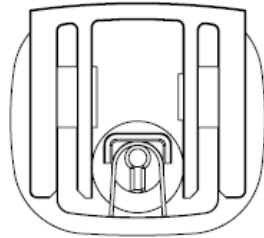
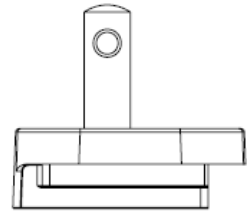
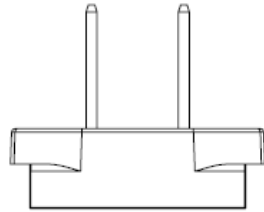
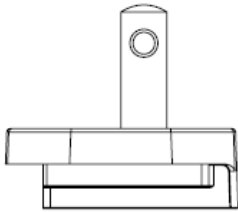
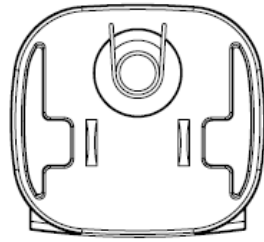
OVERALL DRAWING

UNIT: mm
COLOR: BLACK



AC - DC

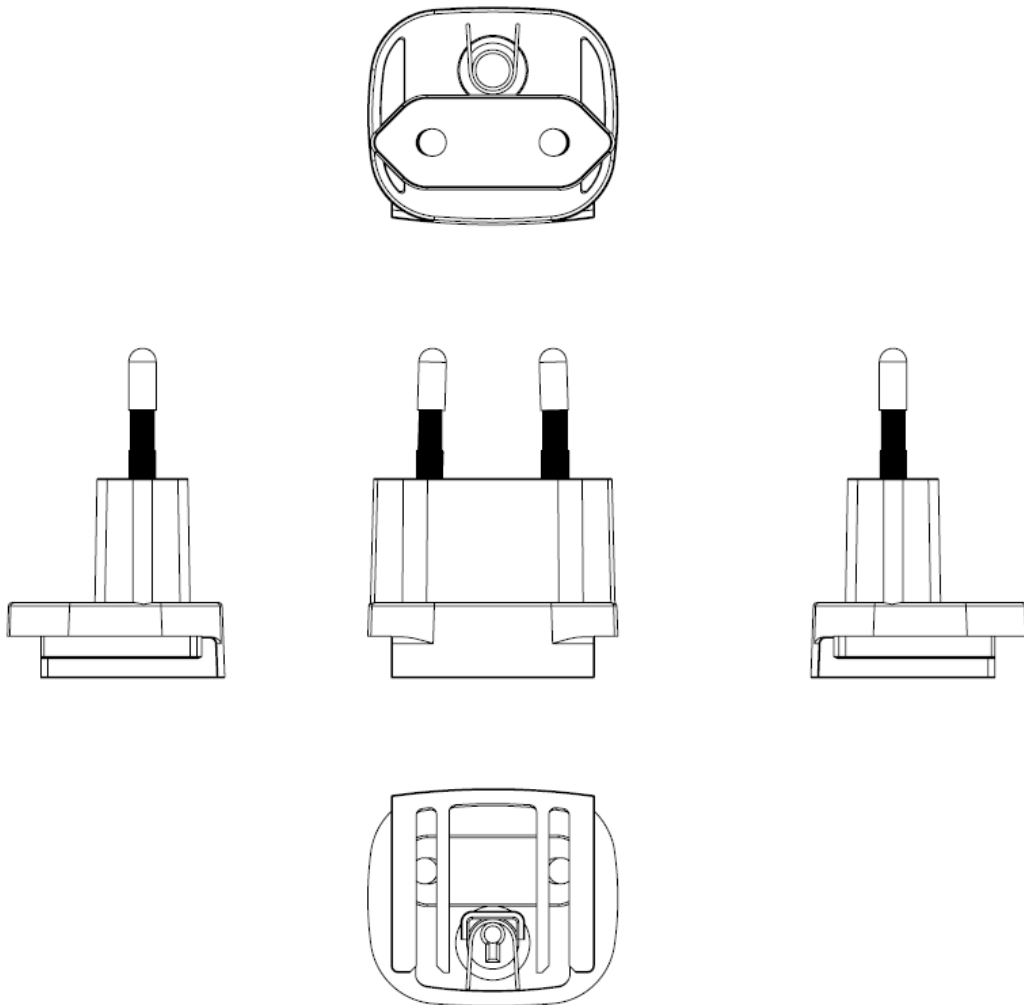
Mechanical Drawing (continued)



UL

AC – DC

Mechanical Drawing (Continued)

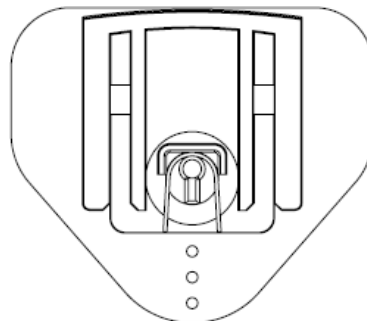
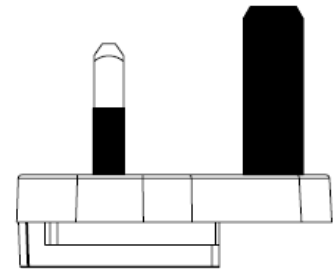
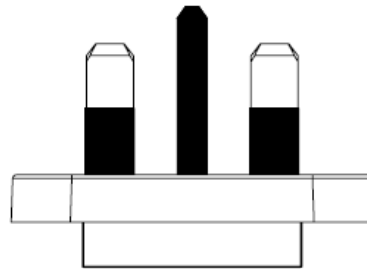
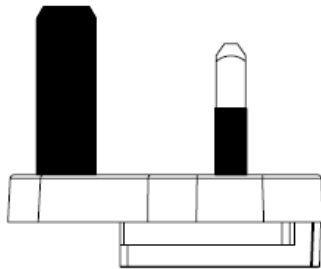
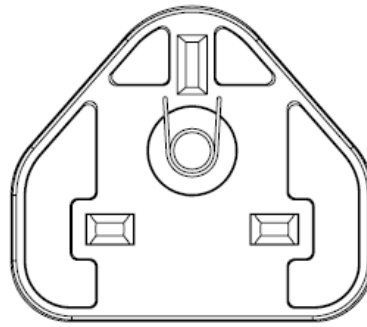


TUV

AC – DC

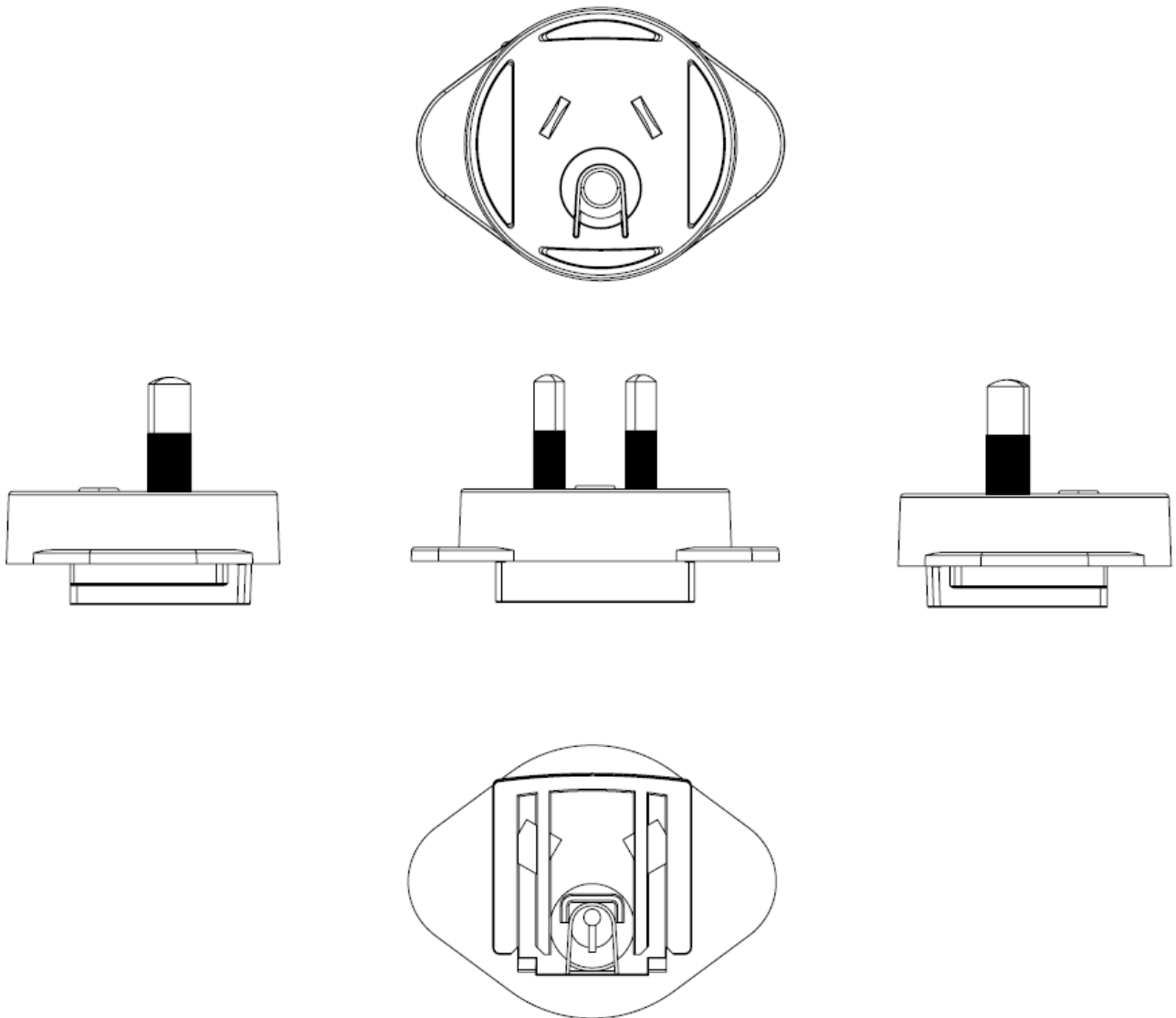
Mechanical Drawing (Continued)

AC – DC



UK

Mechanical Drawing (Continued)



SAA

AC – DC

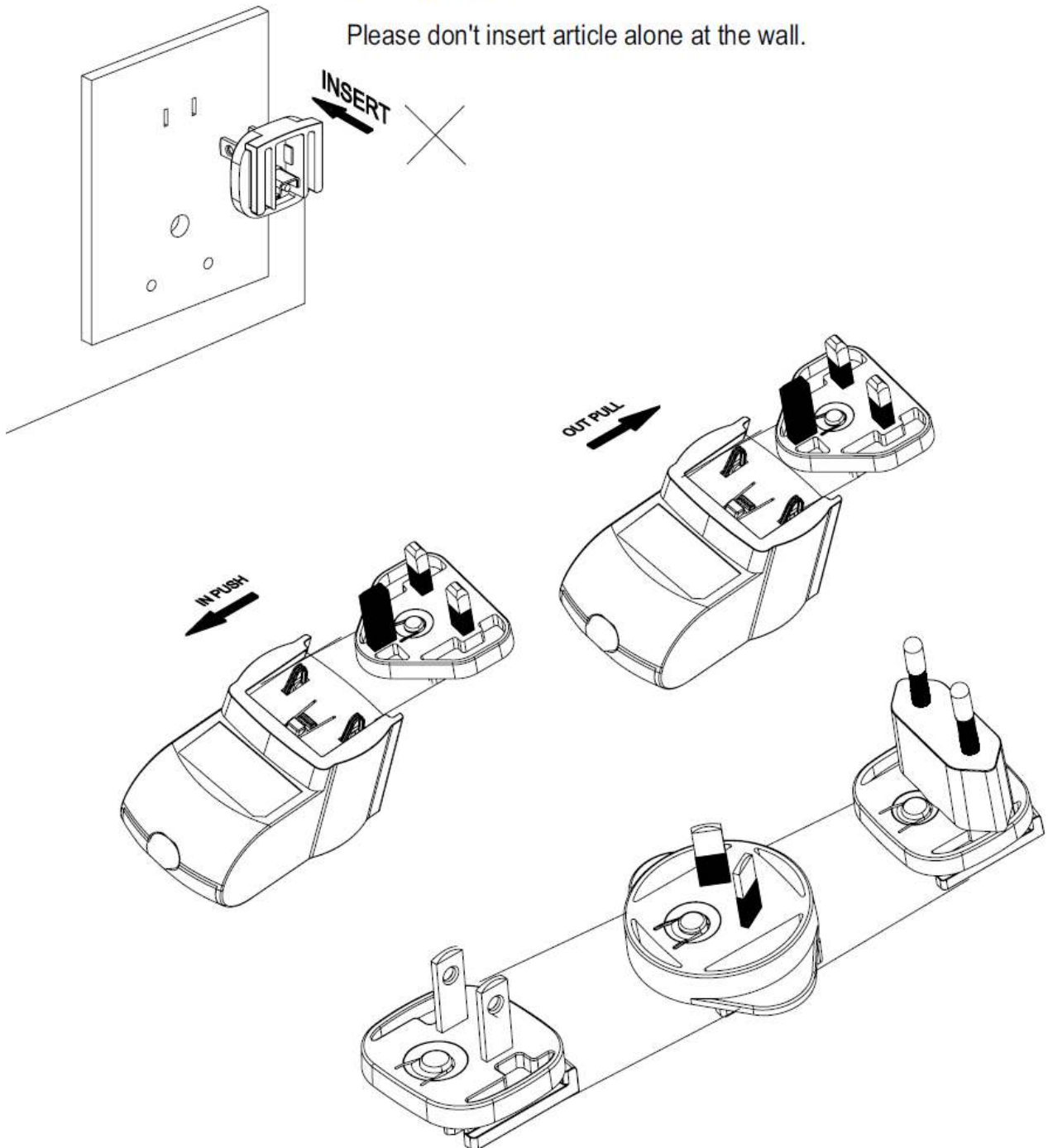
Mechanical Drawing (Continued)

USE SPECIFICATION

UNIT: mm

WARNING!

Please don't insert article alone at the wall.



AC - DC

Packaging

1 Inner Box

UNIT: mm

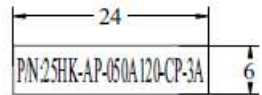
■ BOX (■ Normal BOX □ Corrugated BOX)

Length: 82

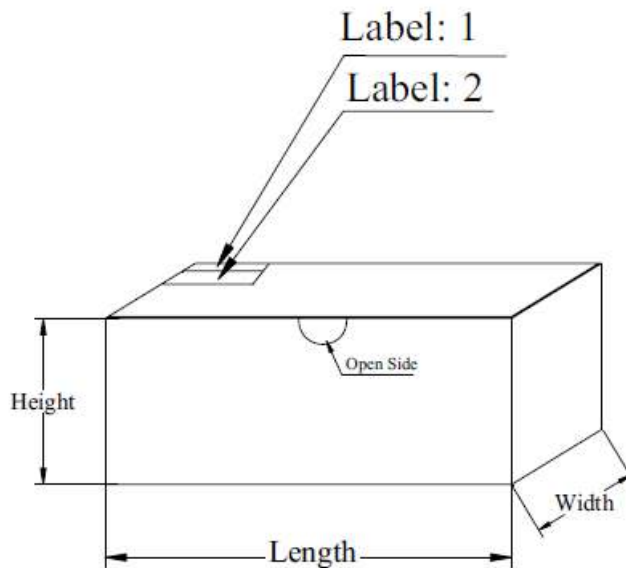
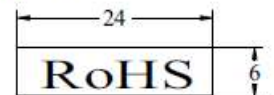
Width: 85

Height: 55

Label: 1



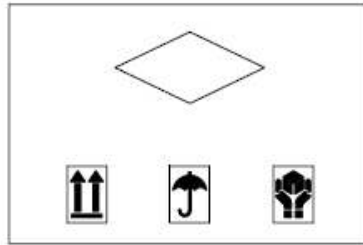
Label: 2



Packaging (continued)

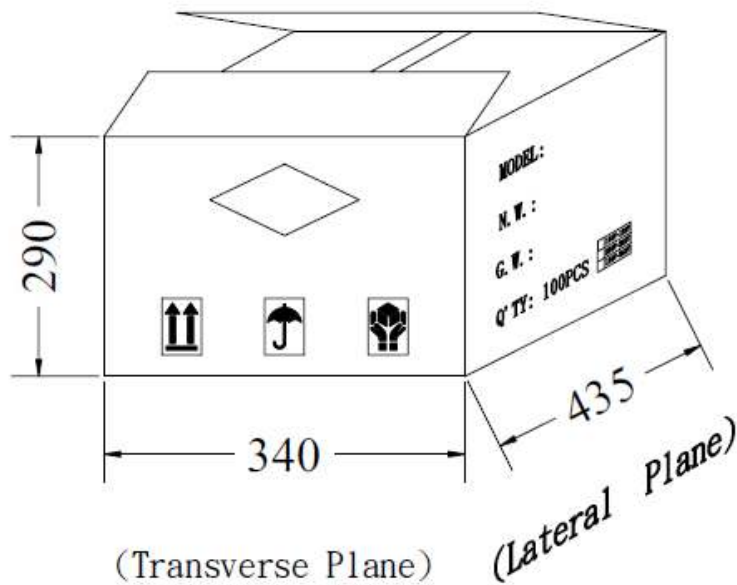
Carton

UNIT: mm



MODEL:
N. W. :
G. W. :
Q' TY: 100PCS

| | |
|--|-----------|
| | 100V-120V |
| | 200V-240V |
| | 100V-240V |



Labels

