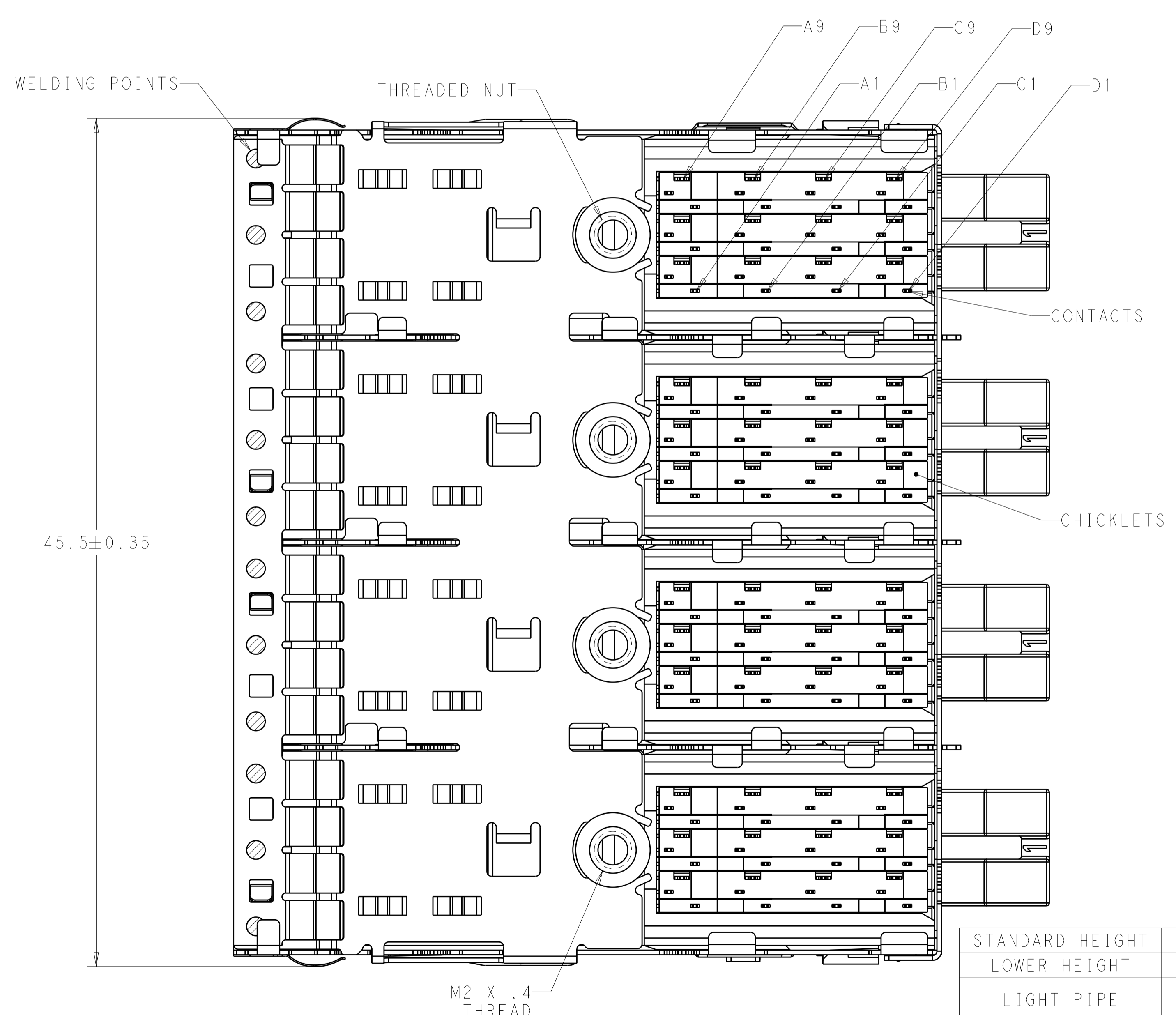
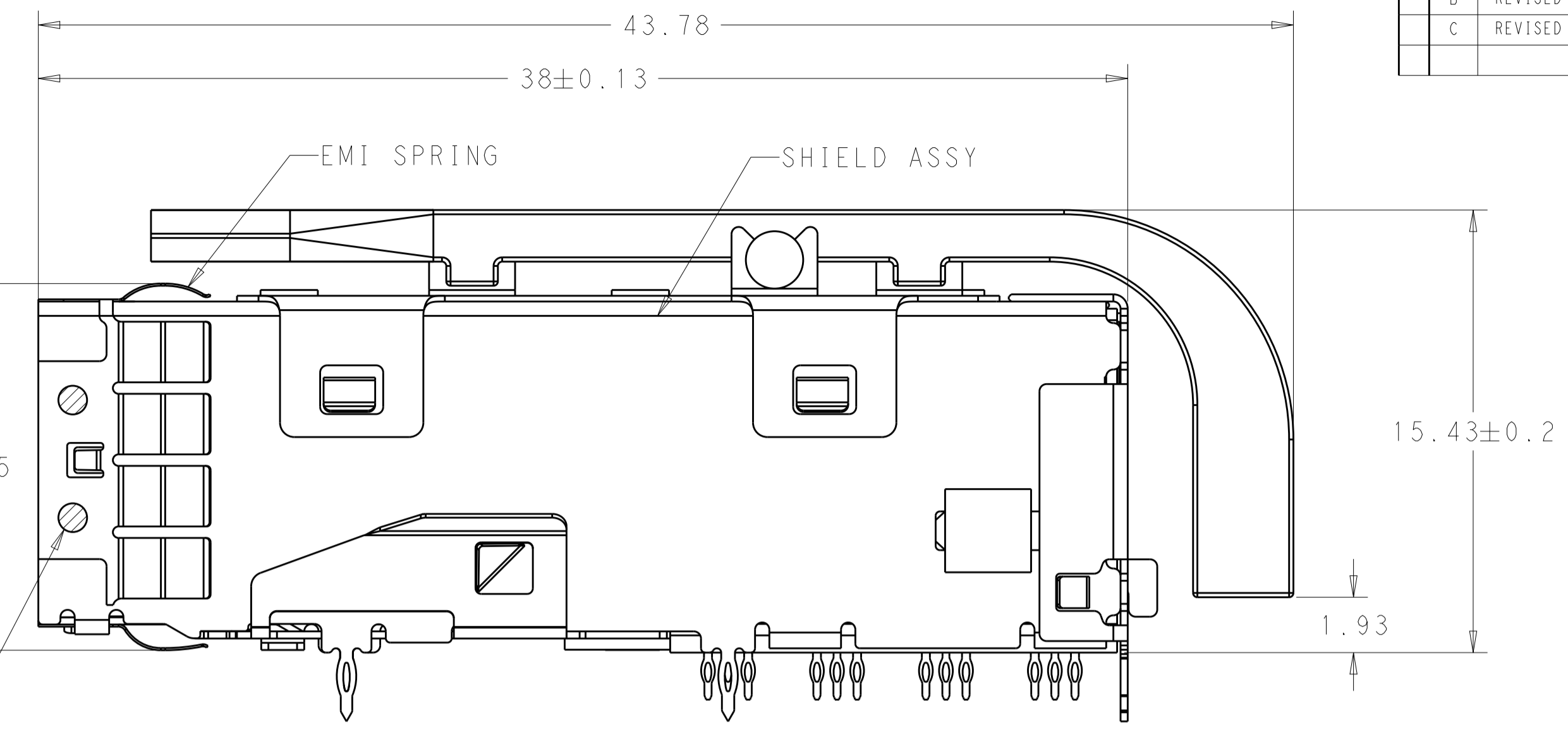
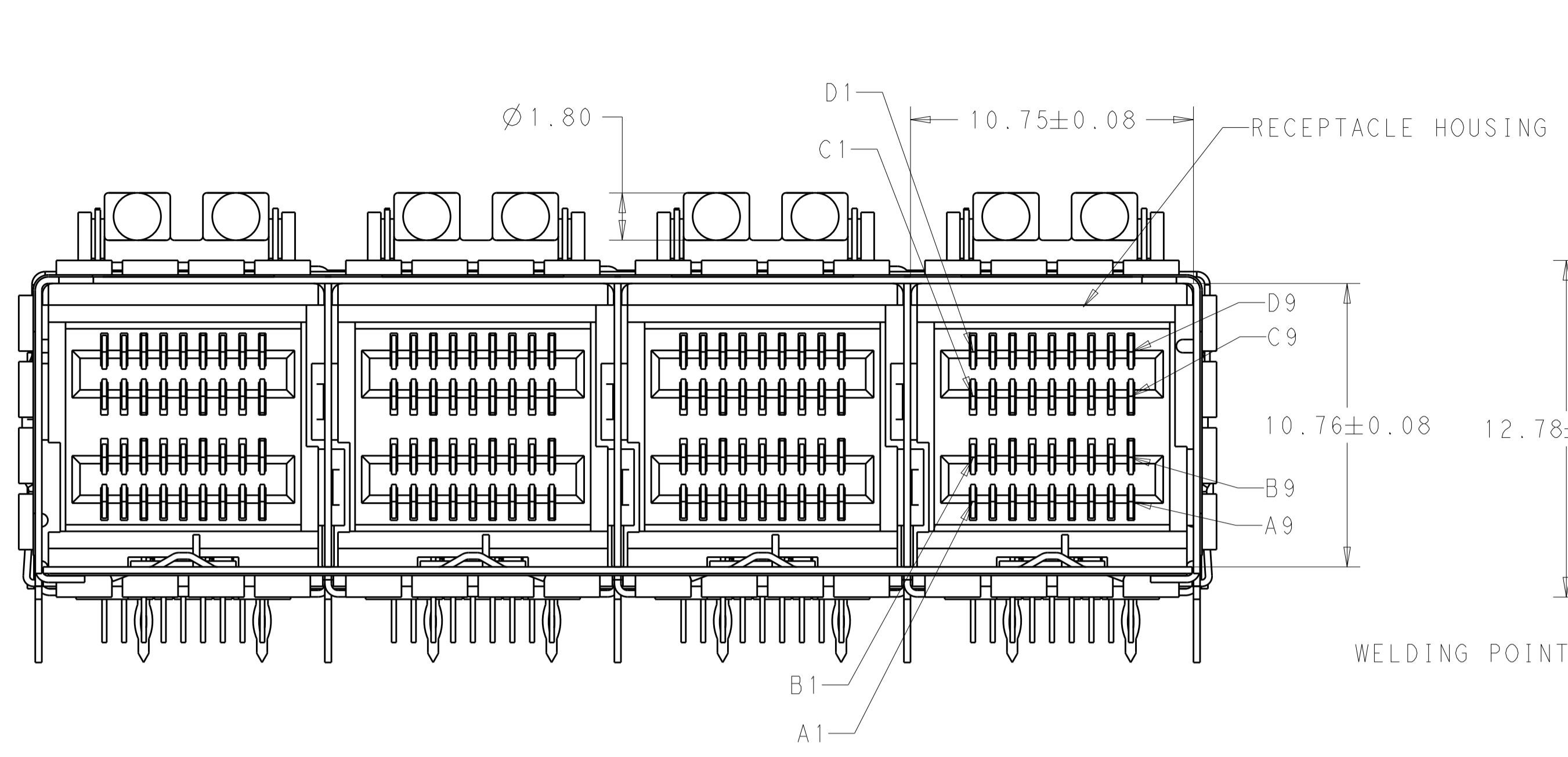


LOC		DIST		REVISIONS			
P	LTN	DESCRIPTION	DATE	DMN	APVD		
A		INITIAL RELEASE	18FEB2014	BM	DG		
B		REVISED PER ECO-14-002851	03MAR2014	BM	DG		
C		REVISED PER ECO-15-013876	19JUN2016	JY	SH		



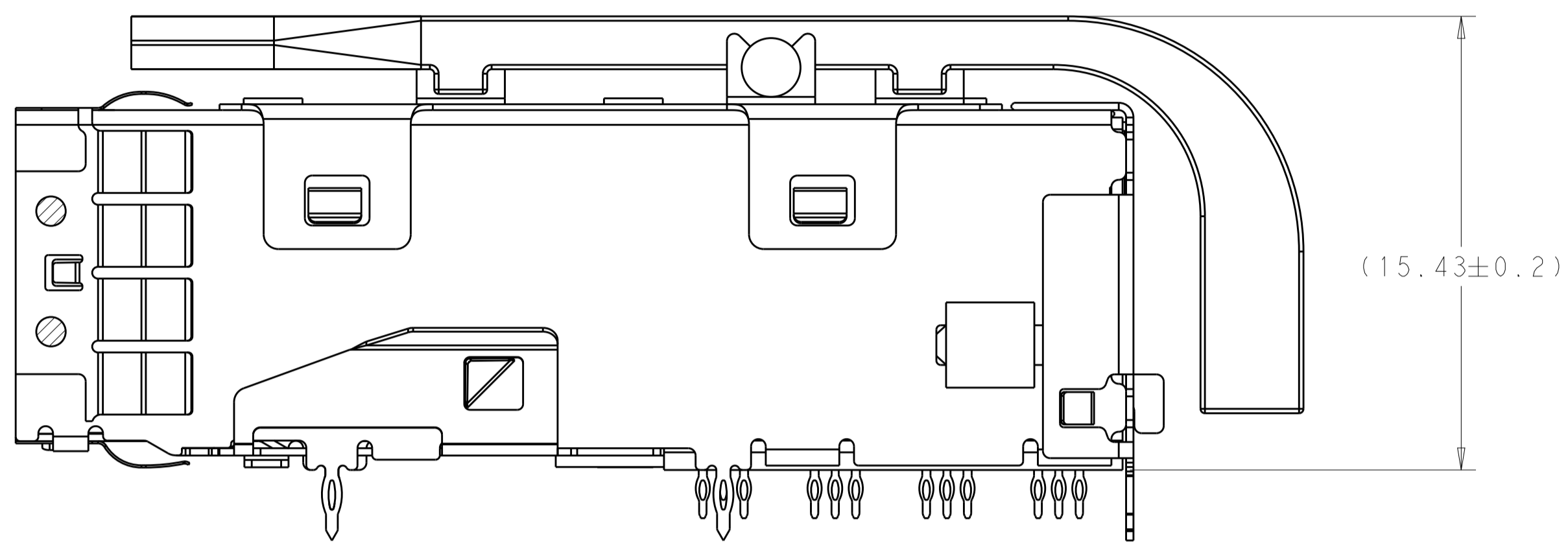
- 1. MATERIALS**
 RECEPTACLE HOUSING: LCP, BLACK, UL94V-0 RATED
 SHIELD ASSY: NICKEL-SILVER COPPER ALLOY
 CONTACTS: COPPER ALLOY
 EMI SPRING: COPPER ALLOY
 THREADED NUT: BRASS
 CHICKLETS: LCP, BLACK, UL 94V-0 RATED
 LIGHTPIPE CLIP: STAINLESS STEEL
 LIGHTPIPE: POLYCARBONATE
 - 2. FINISH**
 EMI SPRING: TIN PLATE OVER NICKEL PLATE
 NON-PLATED EDGES PERMISSABLE
 THREADED NUT: NICKEL PLATE
- ⚠ CONTACT FINISH: 0.76µm MIN GOLD PLATE IN CONTACT AREA, 1.25µm MIN TIN ON PCB TAILS. ALL OVER 1.27µm MIN NICKEL UNDERPLATE.
- 4. THREAD LENGTH OF FASTENER = PCB THICKNESS+1.45 MAX**
 - 5. THIS PRODUCT HAS NOT COMPLETED VALIDATION/QUALIFICATION TESTING**
- ⚠ RECOMMENDED TRACE KEEP OUT ZONE

STANDARD HEIGHT	15.54	2274681-2
LOWER HEIGHT	14.53	2274681-1
LIGHT PIPE	H HOLE HIGHT OF LP	PART NUMBER

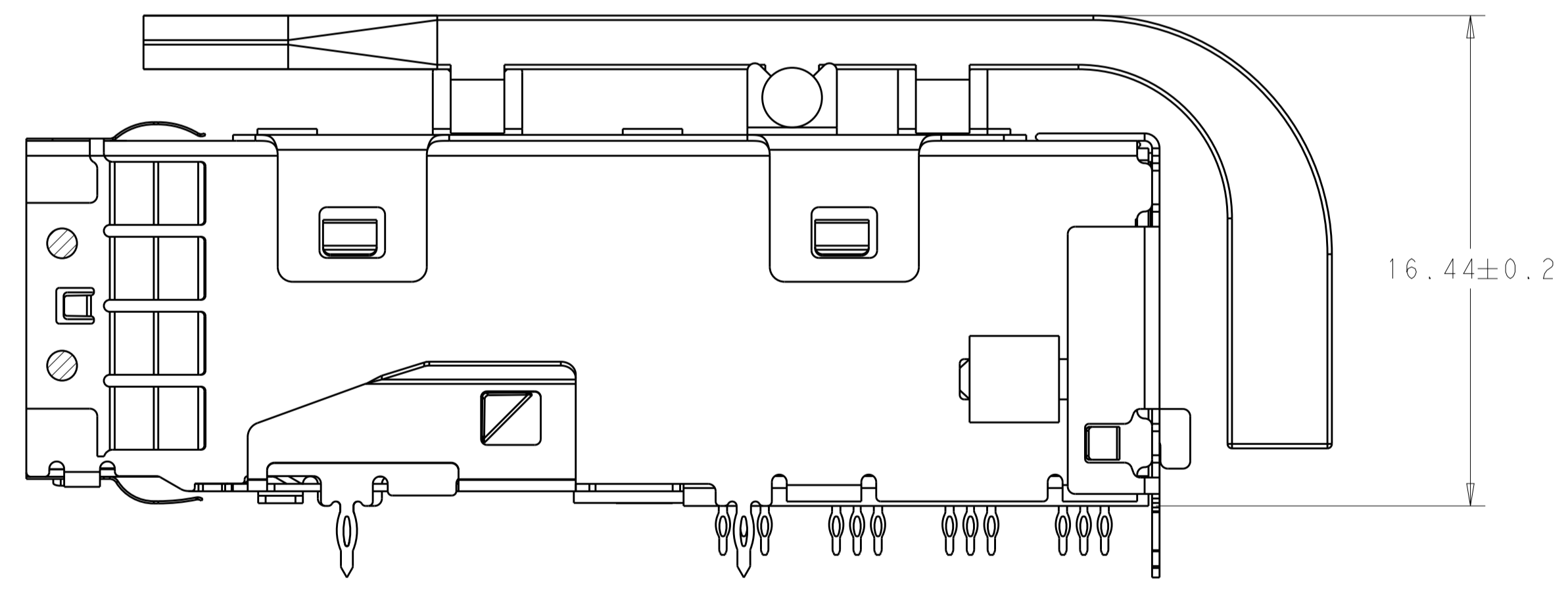
THIS DRAWING IS A CONTROLLED DOCUMENT.		DMN B. MATTHEWS 18FEB2014	
DIMENSIONS:		CHK D. GORENC 18FEB2014	
mm	0 PLC ± 1 PLC ±0.25 2 PLC ±0.13 3 PLC ± 4 PLC ± ANGLES ±	APVD D. GORENC 18FEB2014	NAME RECEPTACLE ASSEMBLY, MINI-SAS HD, 4X W/ LOW PROFILE LIGHT PIPES
MATERIAL	FINISH	PRODUCT SPEC 108-2462	SIZE A1
		APPLICATION SPEC 114-13316	CAGE CODE C=2274681
		WEIGHT	RESTRICTED TO
		CUSTOMER DRAWING	SCALE 6:1 SHEET 1 OF 4 REV C

2274681-1 AS SHOWN

LOC		DIST		REVISIONS			
P.	LTN	DESCRIPTION	DATE	DWN	APVD		
-		SEE SHEET 1	-	-	-		



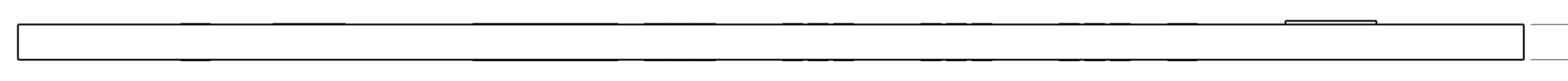
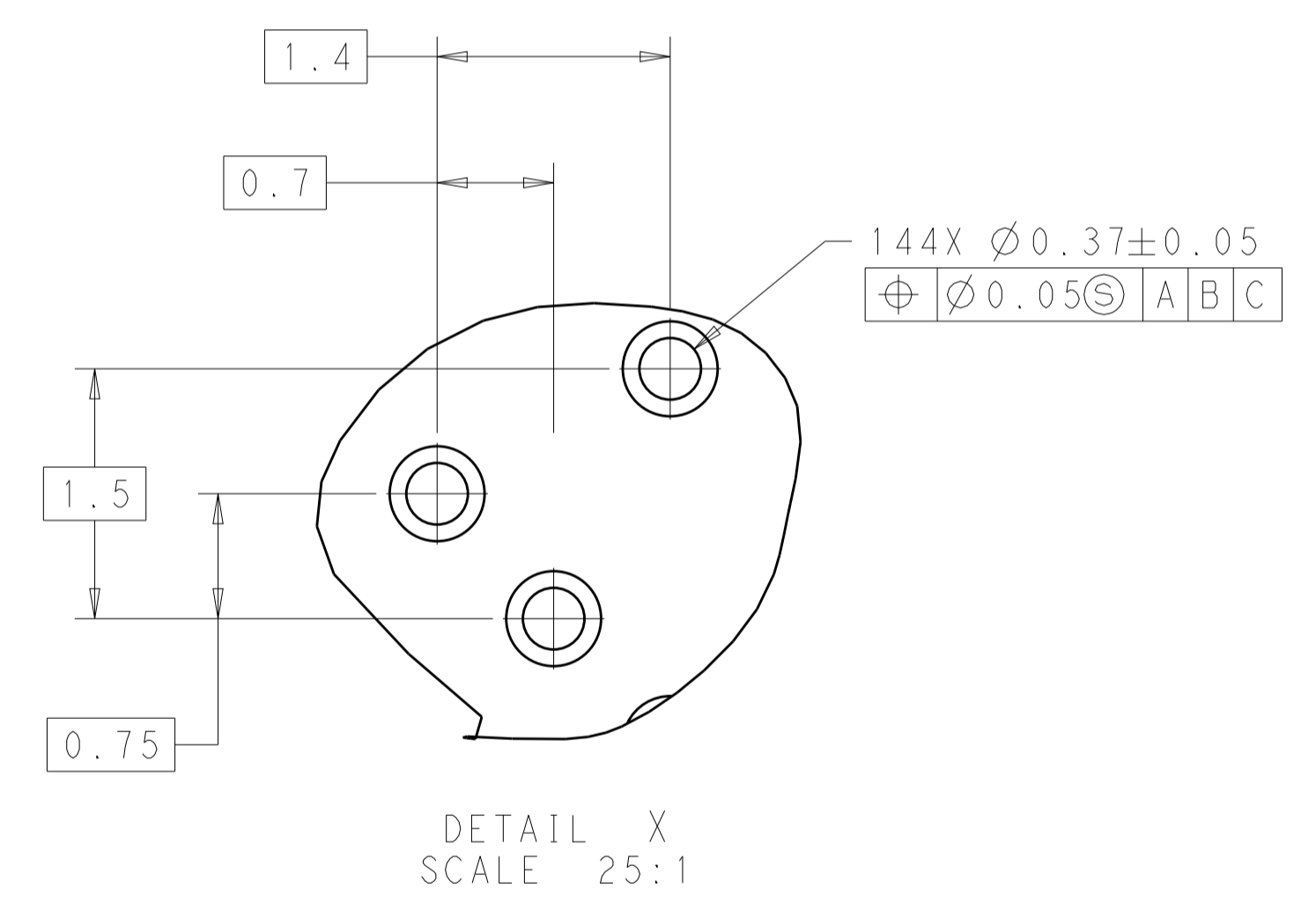
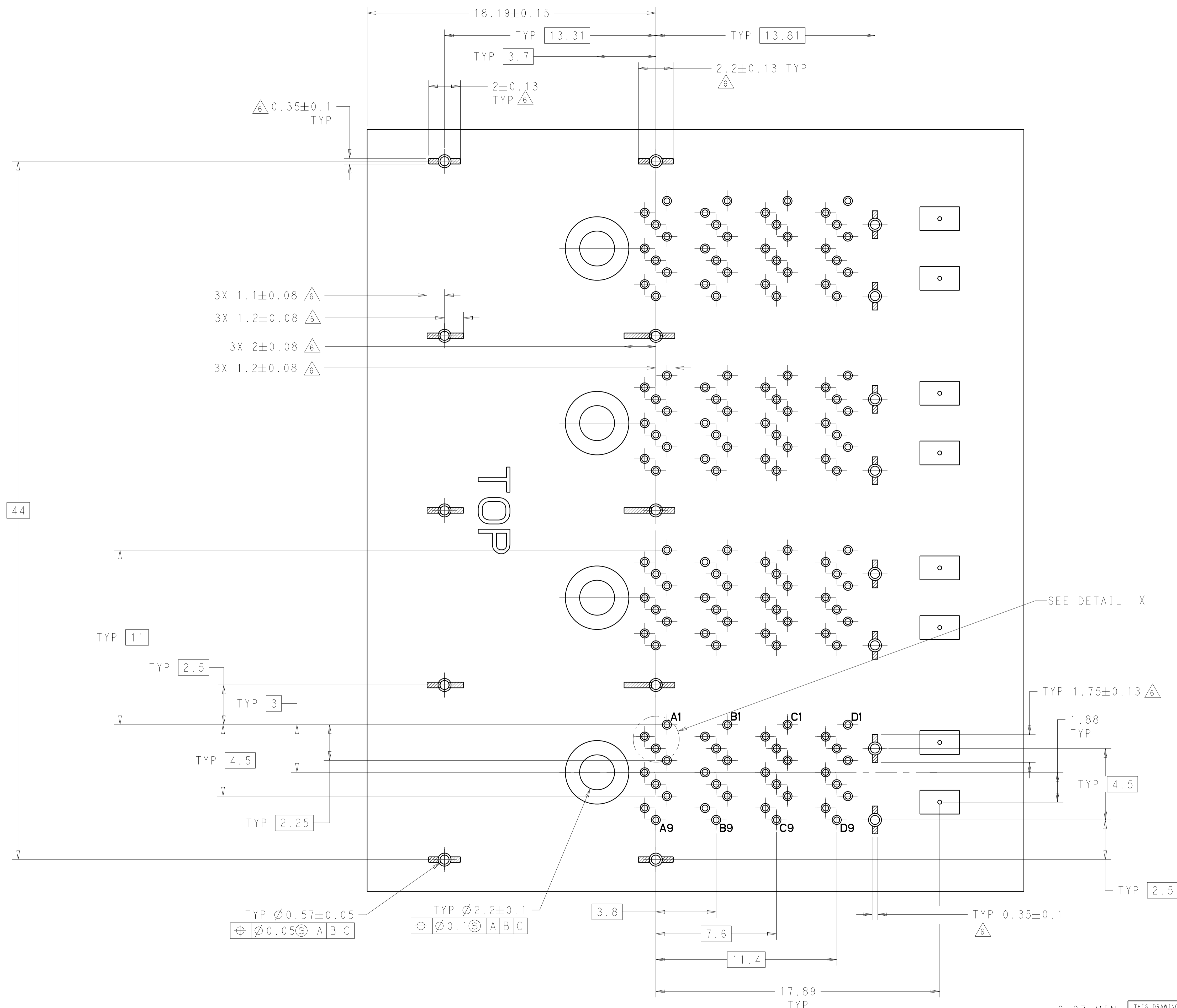
2274681-1 AS SHOWN
 SCALE 6:1



2274681-2 AS SHOWN
 UNSPECIFIED DIMENSIO SN ARE SAME AS 2274681-1
 SCALE 6:1

THIS DRAWING IS A CONTROLLED DOCUMENT.		DWN B. MATTHEWS 18FEB2014	TE TE Connectivity
		CHK D. GORENC 18FEB2014	
DIMENSIONS:		APVD D. GORENC 18FEB2014	NAME RECEPTACLE ASSEMBLY, MINI-SAS HD, 4X W/ LOW PROFILE LIGHT PIPES
TOLERANCES UNLESS OTHERWISE SPECIFIED:		PRODUCT SPEC	
mm	0 PLC ±0.25	108-2462	SIZE CAGE CODE DRAWING NO RESTRICTED TO
	2 PLC ±0.13	APPLICATION SPEC	
	3 PLC ±	114-13316	A100779C=2274681
	4 PLC ±	WEIGHT	
	ANGLES ±	Customer Drawing	SCALE 6:1 SHEET 2 OF 4 REV C
MATERIAL	FINISH		

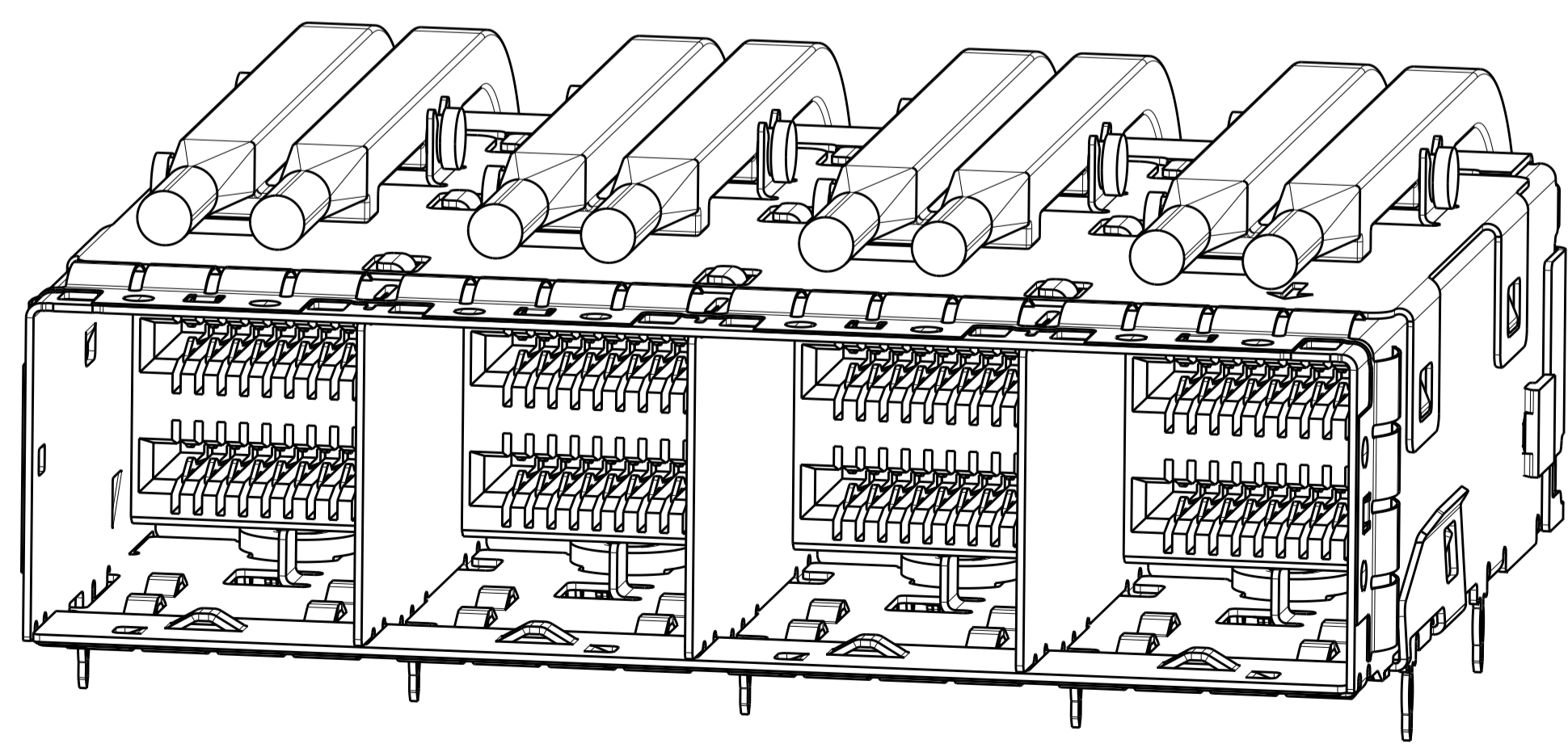
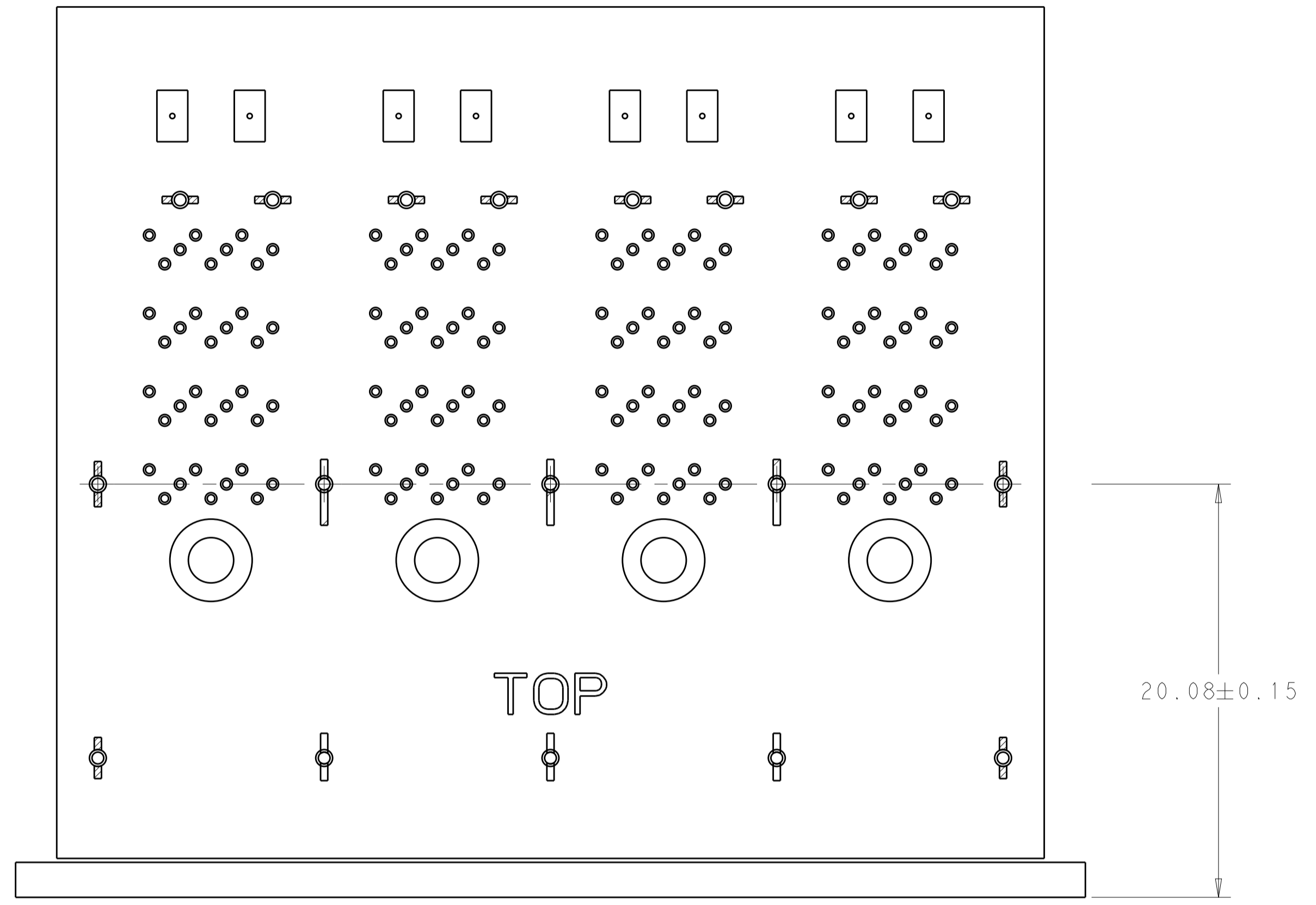
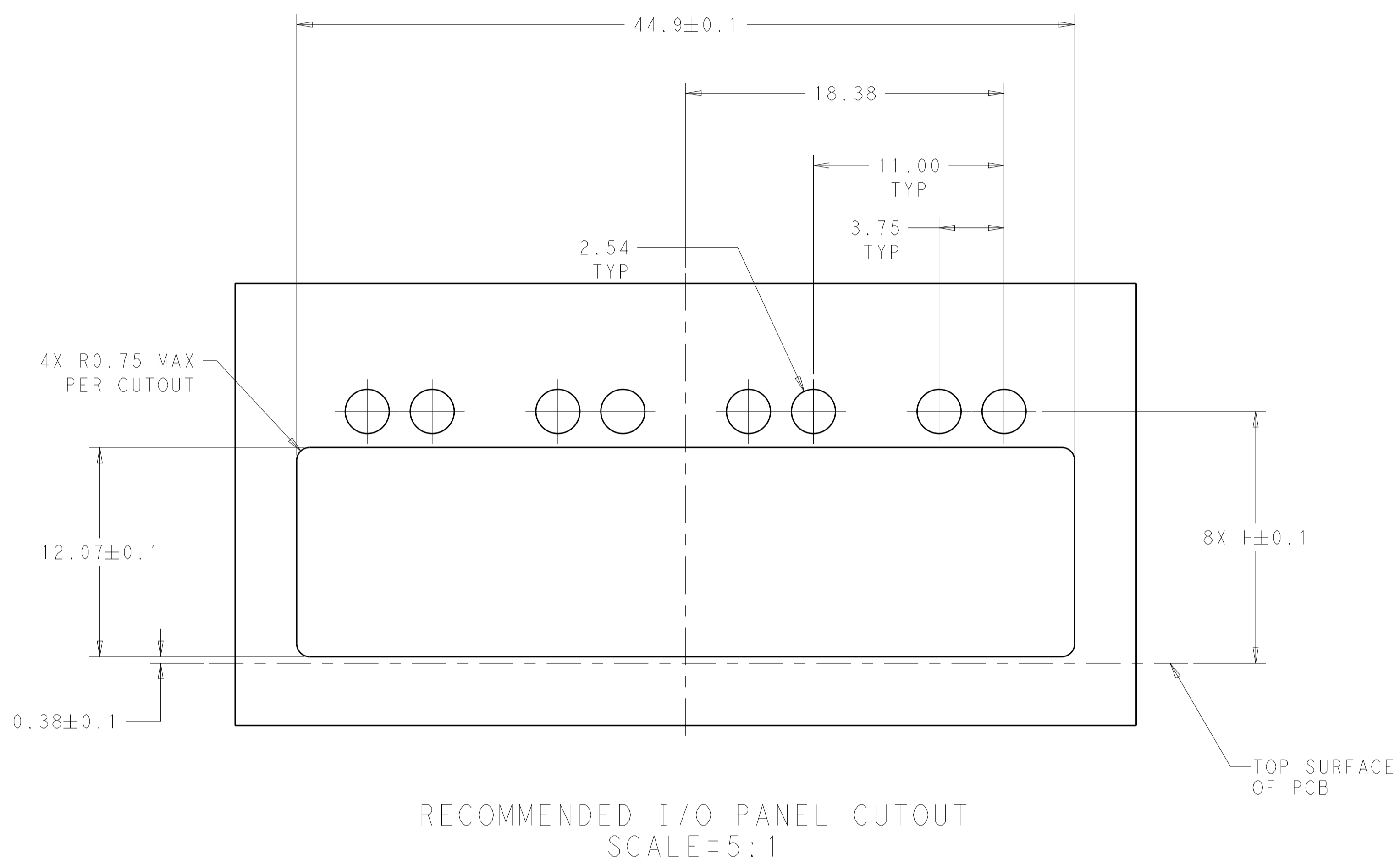
LOC		DIST		REVISIONS			
P.	LTN	DESCRIPTION	DATE	DWN	APVD		
-	-	SEE SHEET 1	-	-	-		



RECOMMENDED PCB LAYOUT

THIS DRAWING IS A CONTROLLED DOCUMENT.		DWN B. MATTHEWS 18FEB2014	TE Connectivity
DIMENSIONS: mm		CHK D. GORENC 18FEB2014	
TOLERANCES UNLESS OTHERWISE SPECIFIED:		APVD D. GORENC 18FEB2014	NAME RECEPTACLE ASSEMBLY, MINI-SAS HD, 4X W/ LOW PROFILE LIGHT PIPES
0 PLC ±0.25		PRODUCT SPEC 108-2462	SIZE CAGE CODE DRAWING NO RESTRICTED TO
1 PLC ±0.13		APPLICATION SPEC 114-13316	A100779C=2274681
2 PLC ±0.05		WEIGHT	SCALE 6:1 SHEET 3 OF 4 REV C
3 PLC ±0.01		Customer Drawing	
4 PLC ±0.01			
ANGLES			
FINISH			

LOC	DIST	REVISIONS			
P	LTN	DESCRIPTION	DATE	DWN	APVD
-	-	SEE SHEET 1	-	-	-



THIS DRAWING IS A CONTROLLED DOCUMENT.		DWN: B. MATTHEWS 18FEB2014	
		CHK: D. GORENC 18FEB2014	
DIMENSIONS:		APVD: D. GORENC 18FEB2014	NAME: RECEPTACLE ASSEMBLY, MINI-SAS HD, 4X W/ LOW PROFILE LIGHT PIPES PRODUCT SPEC: 108-2462 APPLICATION SPEC: 114-13316 SIZE: A100779 CAGE CODE: C=2274681 RESTRICTED TO: -
mm		0 PLC ±	
		1 PLC ±0.25 2 PLC ±0.13 3 PLC ± 4 PLC ±	
MATERIAL:		FINISH: ±	
		WEIGHT: -	SCALE: 6:1
		Customer Drawing	SHEET 4 OF 4
			REV C