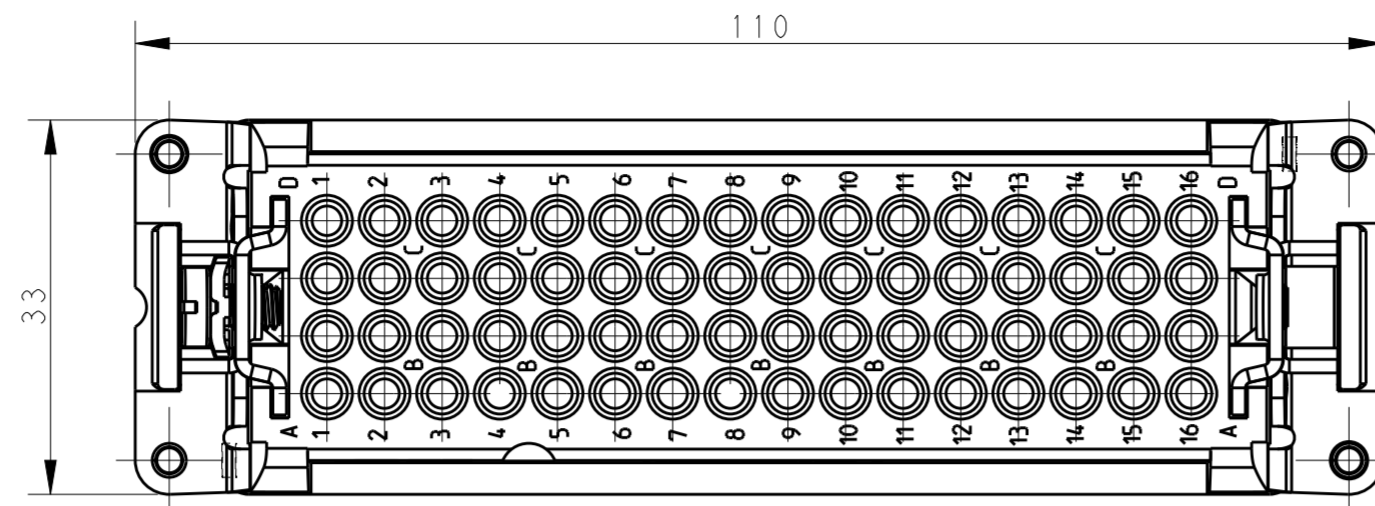


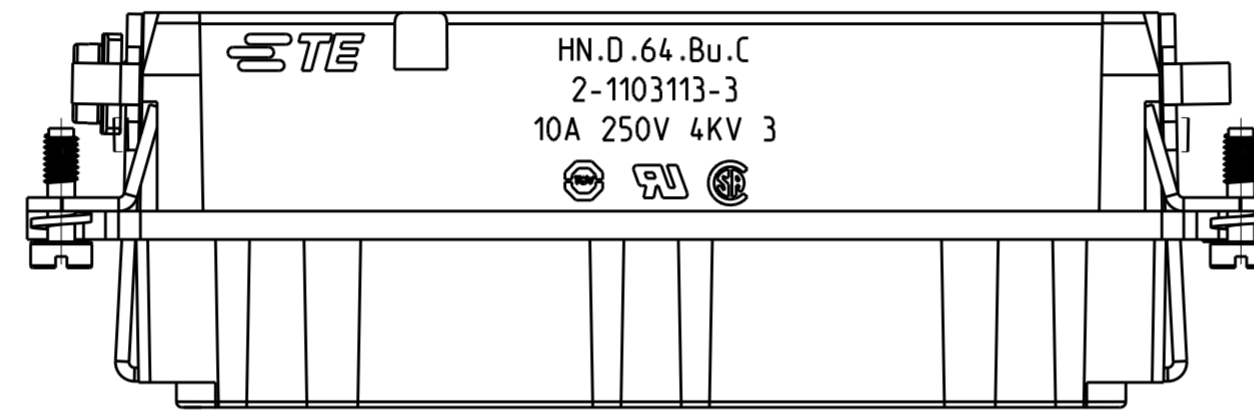
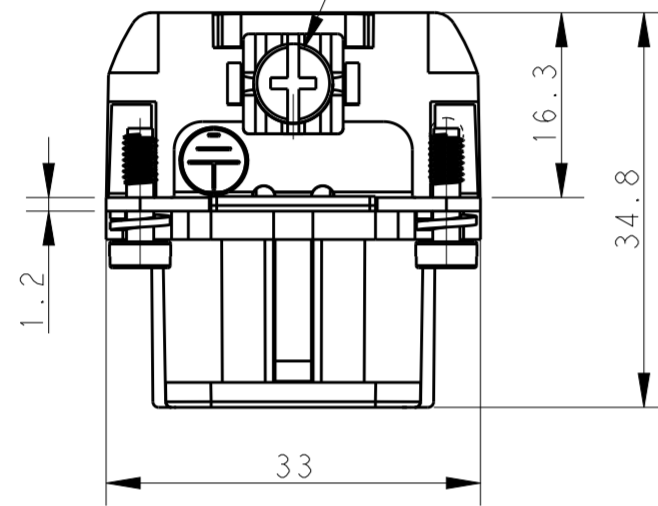
P	LTR	DESCRIPTION	DATE	DWN	APVD
B		ECR-20-005011	06APR2020	QY	JB
C		ECR-20-007704	03JUN2020	QY	JB
C1		ECR-20-016724	25NOV2020	QY	JB



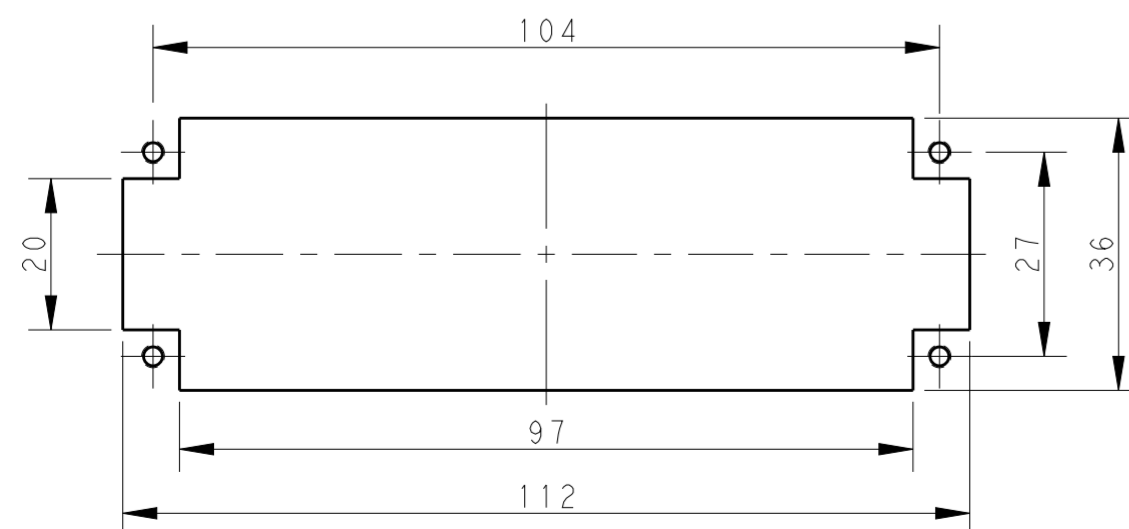
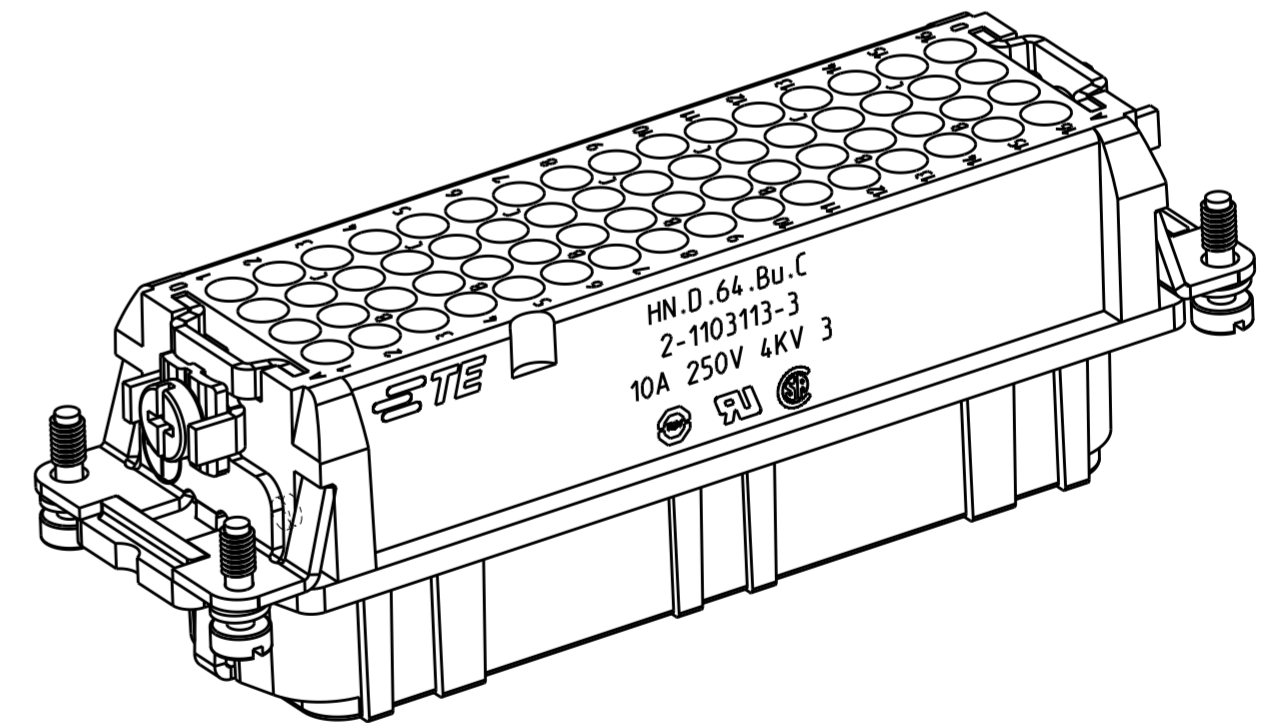
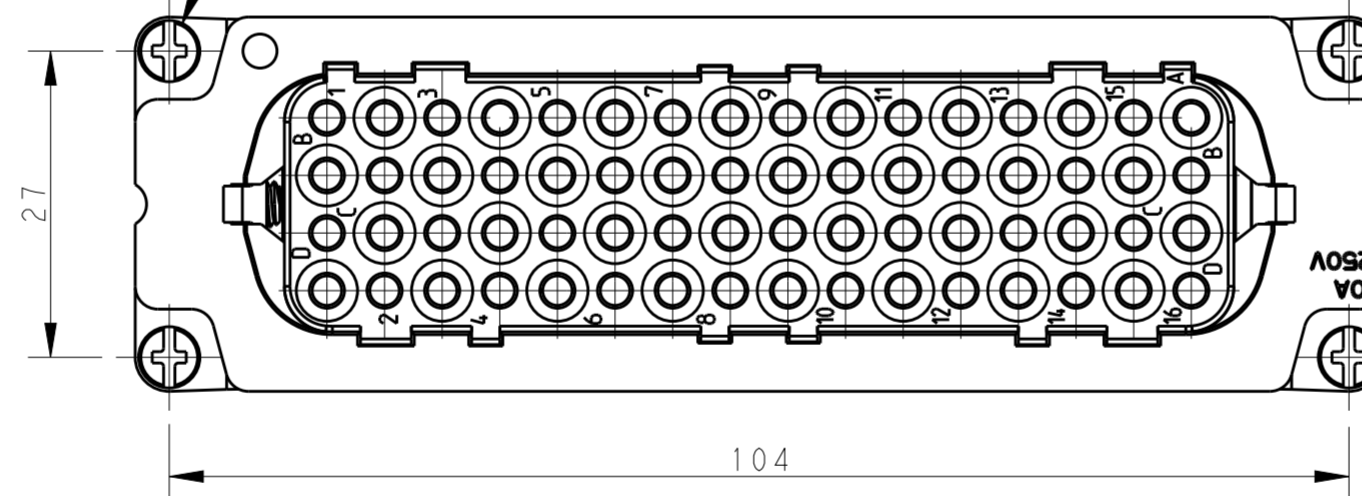
NOTES:
 1. TECHNICAL CHARACTERISTICS:
 INSULATION MATERIAL: PC
 RATED VOLTAGE: 250V
 RATED CURRENT: 10A
 INSULATION RESISTANCE: $\geq 400M\Omega$
 RATED IMPULSE VOLTAGE: 4KV
 POLLUTION DEGREE: 3
 MATING CYCLES: 500 CYCLES
 TEMPERATURE RANGE: $-40\sim+125^{\circ}C$
 WIRE RANGE: $0.14mm^2\sim 2.5mm^2$ (AWG26-AWG14)
 2. CONTACT NEED TO BE ORDERED SEPARATELY.

注释:
 1. 技术参数:
 绝缘材料: PC
 额定电压: 250V
 额定电流: 10A
 绝缘电阻: $\geq 400M\Omega$
 脉冲电压: 4KV
 污染等级: 3
 插拔次数: 500 次
 温度范围: $-40\sim+125^{\circ}C$
 接线范围: $0.14mm^2\sim 2.5mm^2$ (AWG26-AWG14)
 2. 端子需要单独订购.

M4 SCREW RECOMMENDED
 TIGHTENING TORQUE 1.2Nm
 M4 螺丝, 推荐锁紧力矩 1.2Nm



4X M3 SCREW
 RECOMMENDED TIGHTENING TORQUE 0.5Nm
 4X M3 螺丝, 推荐锁紧力矩 0.5Nm



PANEL CUT FOR INSERTS FOR USE
 WITHOUT HOODS/ HOUSINGS
 不使用防护外壳时芯件的安装开孔图

2-1103113-3	HN.D.64.Bu.C	HD-064 FEMALE INSERT FOR MACHINED CONTACT TYPE HD-064 母插, 车削针型 (HTS)
PART NUMBER 料号	PART DESCRIPTION 描述	
THIS DRAWING IS A CONTROLLED DOCUMENT.		DWN 09 JAN 2020 CHK 09 JAN 2020 APVD 09 JAN 2020 MARCIN KOMAR
DIMENSIONS: mm		TE Connectivity
TOLERANCES UNLESS OTHERWISE SPECIFIED: 0 PLC ± 1 PLC ± 2 PLC ± 3 PLC ± 4 PLC ± ANGLES ± FINISH		NAME HN.D.64.Bu.C
MATERIAL		PRODUCT SPEC 108-74002
		APPLICATION SPEC 114-74000
		WEIGHT
		CUSTOMER DRAWING
		SCALE 3:2 SHEET 1 OF 1 REV C1