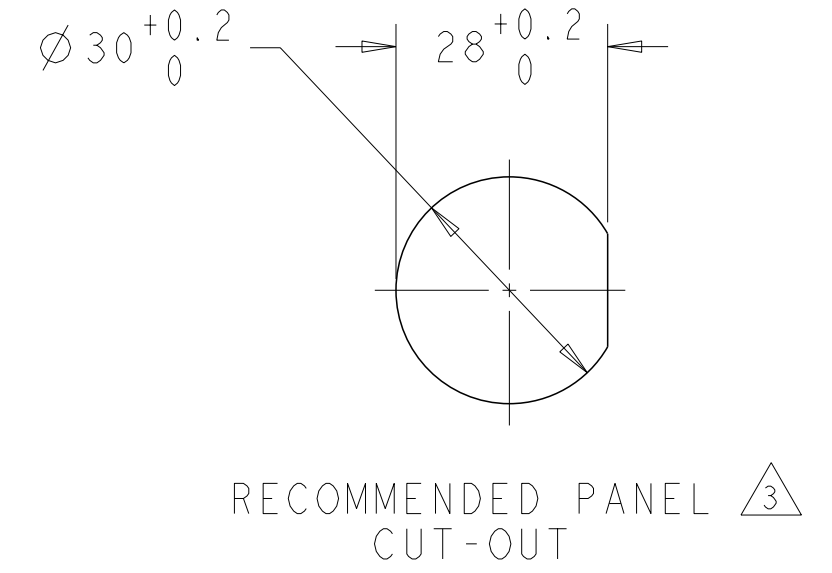
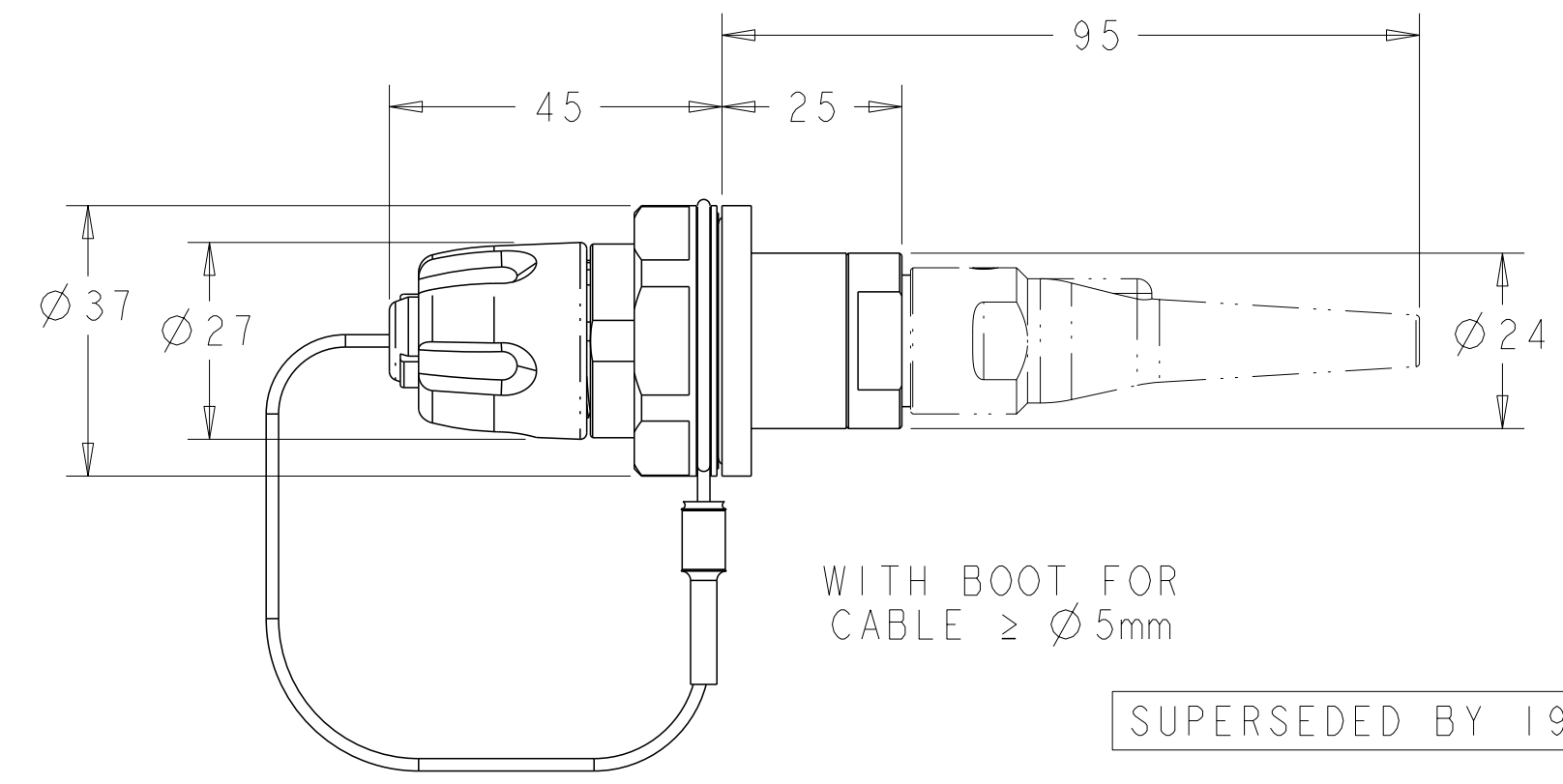
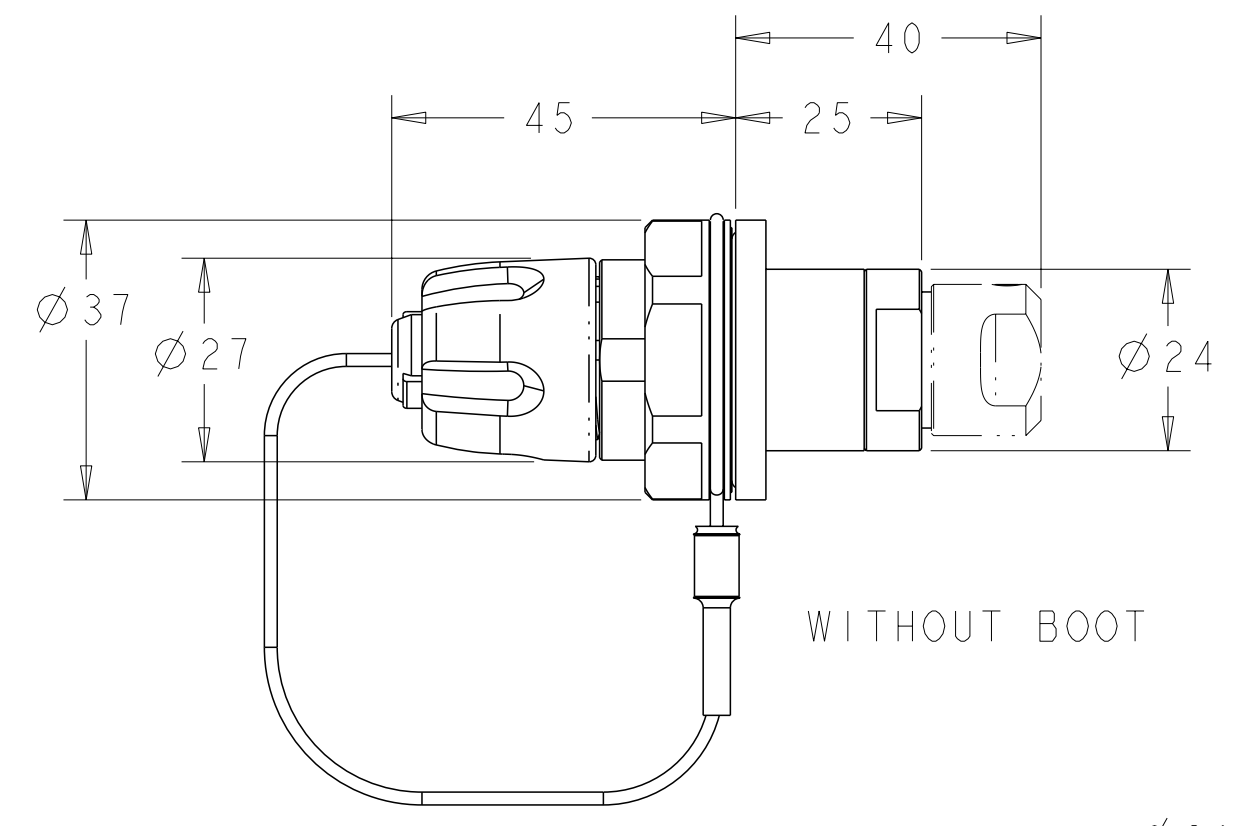
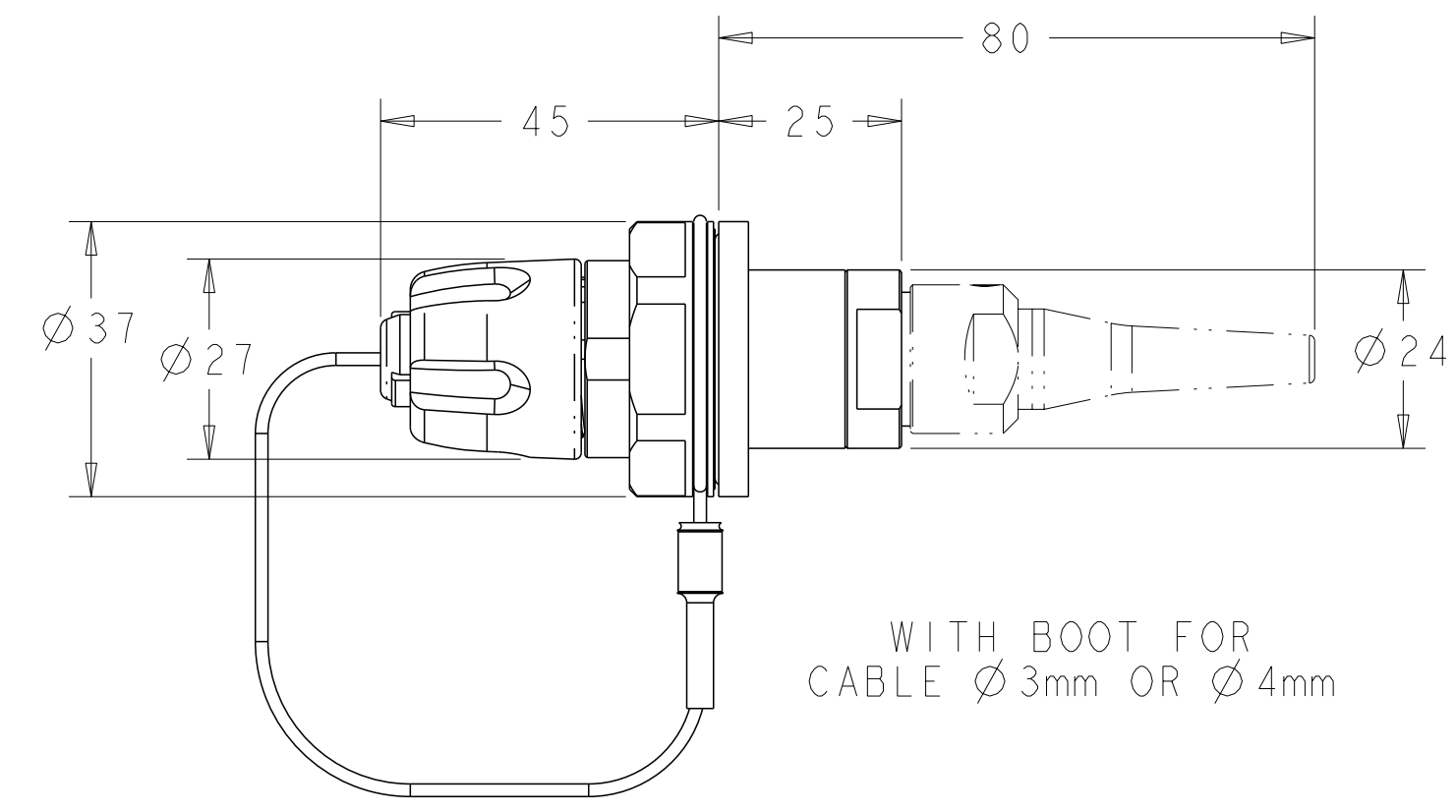


THIS DRAWING IS UNPUBLISHED. RELEASED FOR PUBLICATION 20  
 © COPYRIGHT 20 BY - ALL RIGHTS RESERVED.

REVISIONS				
P	LTR	DESCRIPTION	DATE	APVD
B		ECR-17-013282	19SEP2017	KG DW
BI		ECO-21-003943	30MAR2021	LN DW

- ASSEMBLY SHOWN FOR REFERENCE ONLY. SHIPPED LOOSE PIECE AS SHOWN ON PAGE 2.
- ALL ASSEMBLY DIMENSIONS ARE FOR REFERENCE ONLY.
- △** PANEL THICKNESS: 1mm MINIMUM, 6.5mm MAXIMUM. TIGHTEN PANEL NUT OF INSTALLED CONNECTOR TO 40 N-m (29.5 FT-LB) FOR BEST PERFORMANCE.
- COMPLETE THE CONNECTOR ASSEMBLY BY ADDING EACH OF THE FOLLOWING PRO BEAM JR KITS:
  - EXPANDED BEAM INSERT ASSEMBLY KIT
  - CABLE ADAPTER KIT, SIZED TO THE CABLE JACKET DIAMETER
  - FERRULE KIT, ONE PER FIBER



SUPERSEDED BY 1918941-2	CONDUCTIVE BLACK ZINC NICKEL	ALUMINUM	1918939-3
	NONE	NICKEL ALUMINUM BRONZE	1918939-2
	NON-CONDUCTIVE HARD ANODIZE	ALUMINUM	1918939-1
	HOUSING PLATING	HOUSING ALLOY	PART NUMBER

VIEWS SHOWN WITH CABLE ADAPTER VARIATIONS IN PHANTOM LINES FOR VISUAL AND DIMENSIONAL PURPOSES ONLY

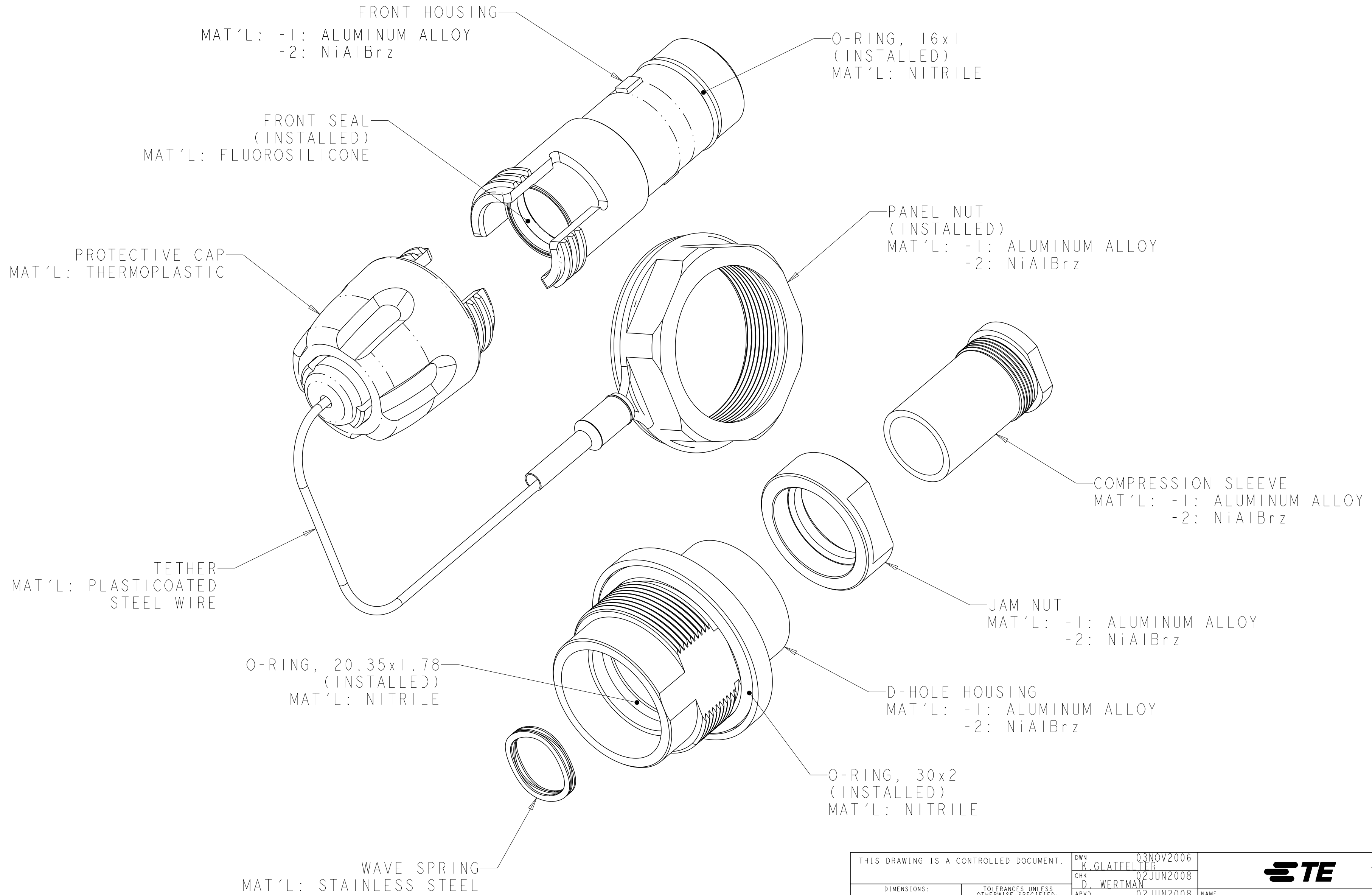
THIS DRAWING IS A CONTROLLED DOCUMENT.		DWN K. GLATFELTER 03NOV2006	<b>STE</b> TE Connectivity	
		CHK D. WERTMAN 02JUN2008		
DIMENSIONS: mm		APVD D. WERTMAN 02JUN2008	NAME CONNECTOR SHELL KIT, STD D-HOLE BULKHEAD, PRO BEAM JR.	
TOLERANCES UNLESS OTHERWISE SPECIFIED:		PRODUCT SPEC	SIZE A200779	
0 PLC ±		APPLICATION SPEC	CAGE CODE C-1918939	
1 PLC ±		WEIGHT	DRAWING NO 1918939	
2 PLC ±		CUSTOMER DRAWING	RESTRICTED TO	
3 PLC ±		SCALE 1:1	SHEET 1 OF 2	
4 PLC ±			REV BI	
ANGLES ±				
FINISH				

Printed on 30 Mar 2021 13:35 (India Standard Time) from IE397707

THIS DRAWING IS UNPUBLISHED. RELEASED FOR PUBLICATION 20  
 © COPYRIGHT 20 BY - ALL RIGHTS RESERVED.

REVISIONS				
P	LTR	DESCRIPTION	DATE	APVD
-		SEE SHEET 1	-	-

1. SHIPPED LOOSE PIECE AS SHOWN.



THIS DRAWING IS A CONTROLLED DOCUMENT.		DWN K. GLATFELTER 03NOV2006	<b>STE</b> TE Connectivity	
DIMENSIONS: mm		CHK D. WERTMAN 02JUN2008		
TOLERANCES UNLESS OTHERWISE SPECIFIED:		APVD D. WERTMAN 02JUN2008	NAME CONNECTOR SHELL KIT, STD D-HOLE BULKHEAD, PRO BEAM JR.	
0 PLC ± 1 PLC ± 2 PLC ± 3 PLC ± 4 PLC ± ANGLES ±		PRODUCT SPEC -	SIZE A200779	
MATERIAL AS LISTED		APPLICATION SPEC -	CAGE CODE C-1918939	DRAWING NO -
FINISH -		WEIGHT -	RESTRICTED TO	
		CUSTOMER DRAWING	SCALE 1:1	SHEET 2 OF 2

Printed on 30 Mar 2021 13:35 (India Standard Time) from IE397707