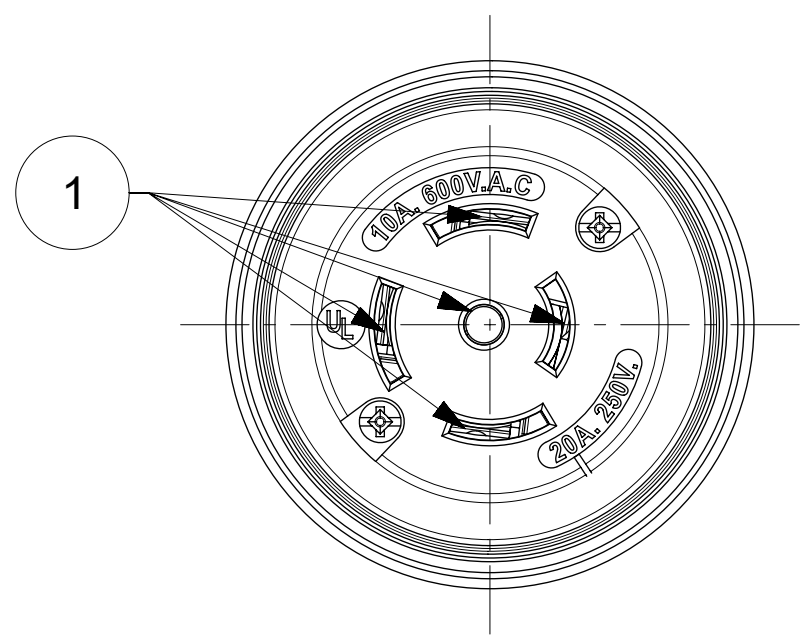
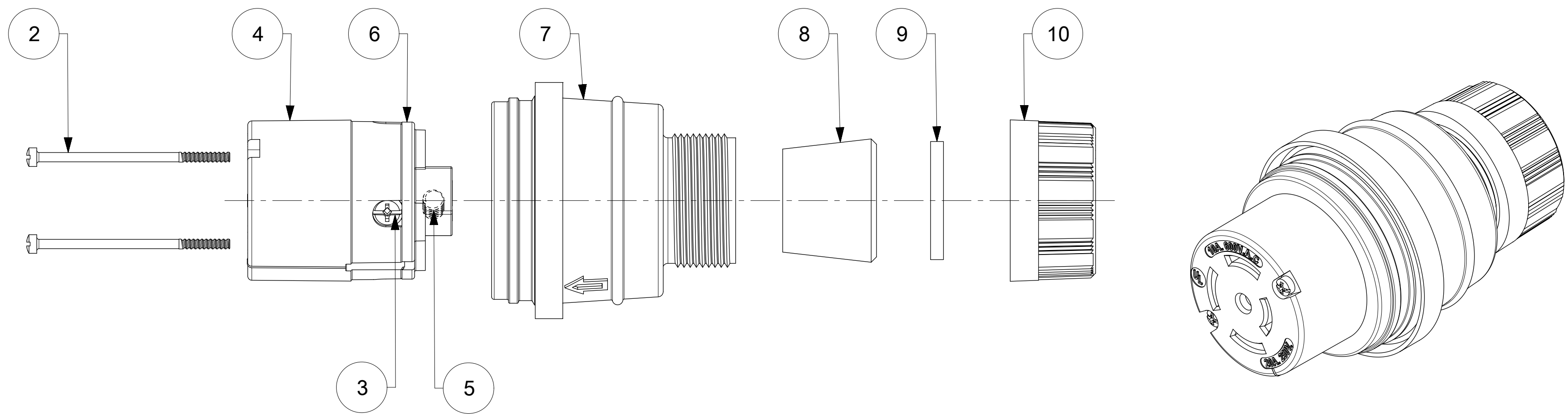
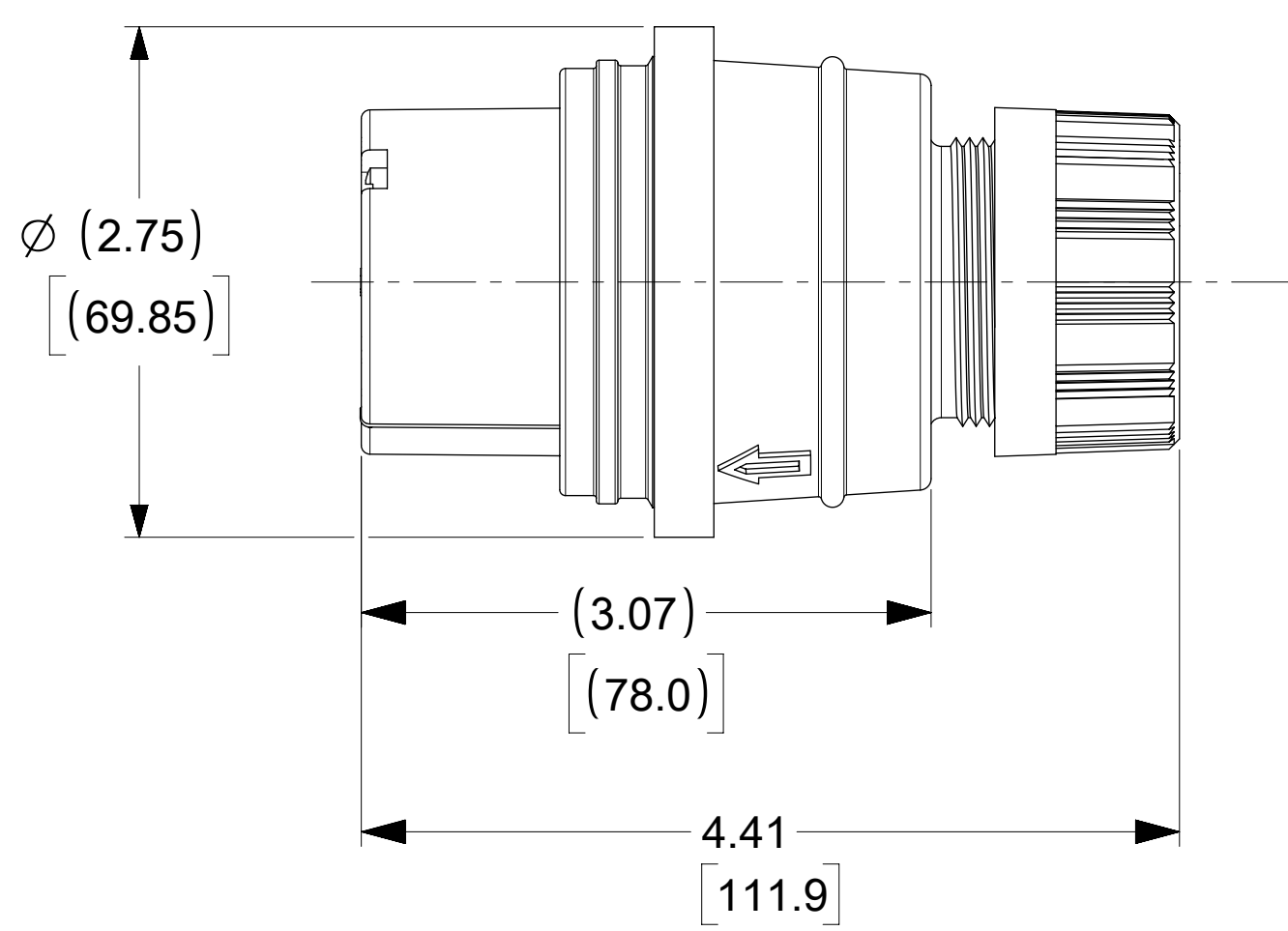


|             |              |        |
|-------------|--------------|--------|
| ORDER NO.   | WOODHEAD NO. | COLOR  |
| 130147-0247 | 27W10MB-P    | YELLOW |



FACE VIEW



| ITEM NO. | DESCRIPTIONS                  | MATERIAL                  | QTY. |
|----------|-------------------------------|---------------------------|------|
| 1        | BLADE                         | BRASS, NICKEL PLATED      | 5    |
| 2        | RETAINING SCREWS              | STAINLESS STEEL           | 2    |
| 3        | CLAMP AND TERMINAL SCREW ASSY | BRASS, ZINC PLATED        | 4    |
| 4        | INSERT                        | NYLON                     | 1    |
| 5        | SET SCREW                     | STAINLESSSTEEL            | 1    |
| 6        | TERMINAL COVER                | POLYCARBONATE             | 1    |
| 7        | HOUSING                       | SILICON WITH NYLON THREAD | 1    |
| 8        | GROMMET                       | RUBBER                    | 1    |
| 9        | FRICTION RING                 | NYLON                     | 1    |
| 10       | COMPRESSION NUT               | NYLON                     | 1    |

|  |  |  |  |   |  |
|--|--|--|--|---|--|
| <b>SYMBOLS</b><br>DIMENSION UNITS: INCH[MM]<br>SCALE: NTS<br>GENERAL TOLERANCES (UNLESS SPECIFIED):<br>4 PLACES ± ±<br>3 PLACES ± ±<br>2 PLACES ± ±<br>1 PLACE ± ±<br>0 PLACES ± ±<br>ANGULAR TOL ± °<br>DRAFT WHERE APPLICABLE MUST REMAIN WITHIN DIMENSIONS<br>THIRD ANGLE PROJECTION<br>DRAWING SERIES: C-SIZE 130147 |  | THIS DRAWING CONTAINS INFORMATION THAT IS PROPRIETARY TO MOLEX ELECTRONIC TECHNOLOGIES, LLC AND SHOULD NOT BE USED WITHOUT WRITTEN PERMISSION<br>CURRENT REV DESC: RELEASED<br>EC NO: 614215<br>DRWN: DSOPPIN 2019/01/08<br>CHK'D: DNGUYEN62 2019/03/29<br>APPR: HKNEELAND 2019/03/30<br>INITIAL REVISION:<br>DRWN: DSOPPIN 2019/01/08<br>APPR: HKNEELAND 2019/03/30 |  | <br>WATERTITE CONNECTOR MOTOR BASE<br>4P5W NON-NEMA<br>PRODUCT CUSTOMER DRAWING<br>DOCUMENT NUMBER: 1301470247<br>DOC TYPE: PSD<br>DOC PART: 000<br>REVISION: A<br>MATERIAL NUMBER: SEE TABLE<br>CUSTOMER: GENERAL MARKET<br>SHEET NUMBER: 1 OF 1 |  |
|--|--|--|--|---|--|