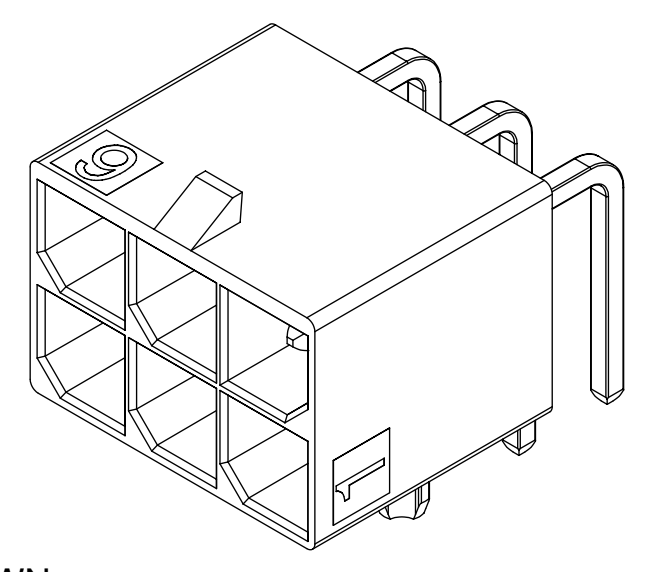
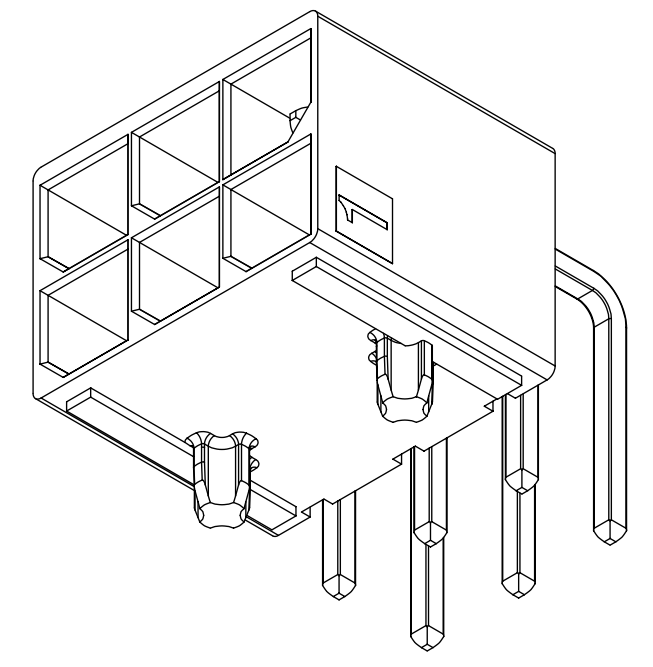
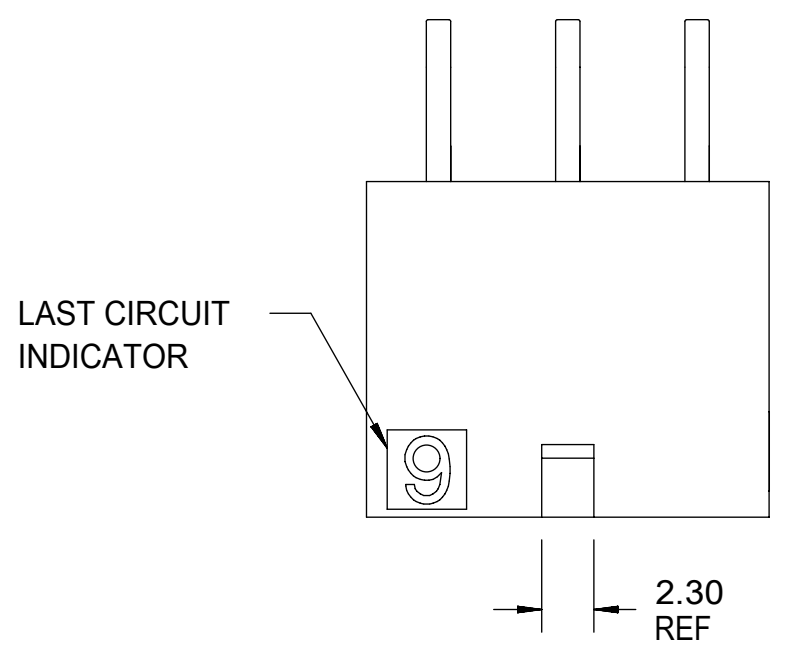
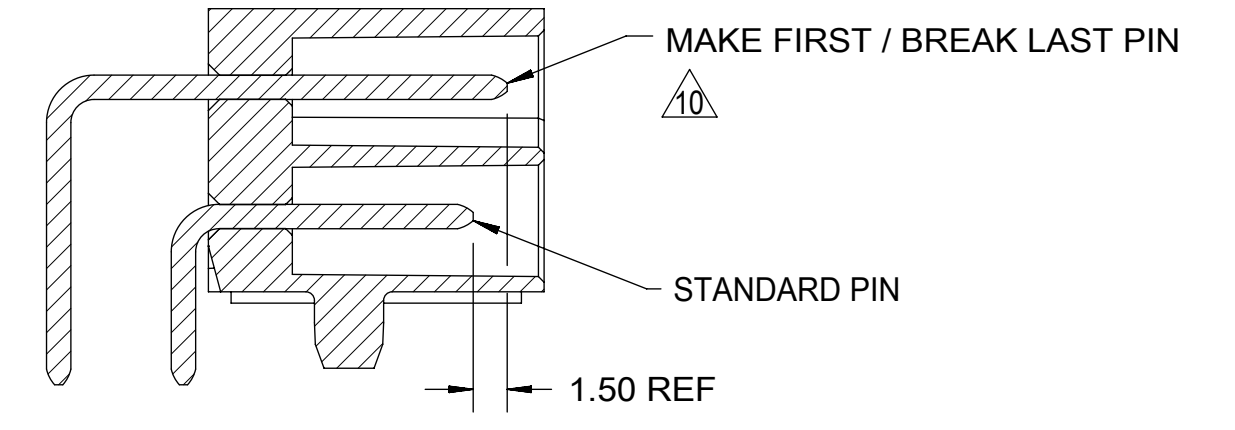
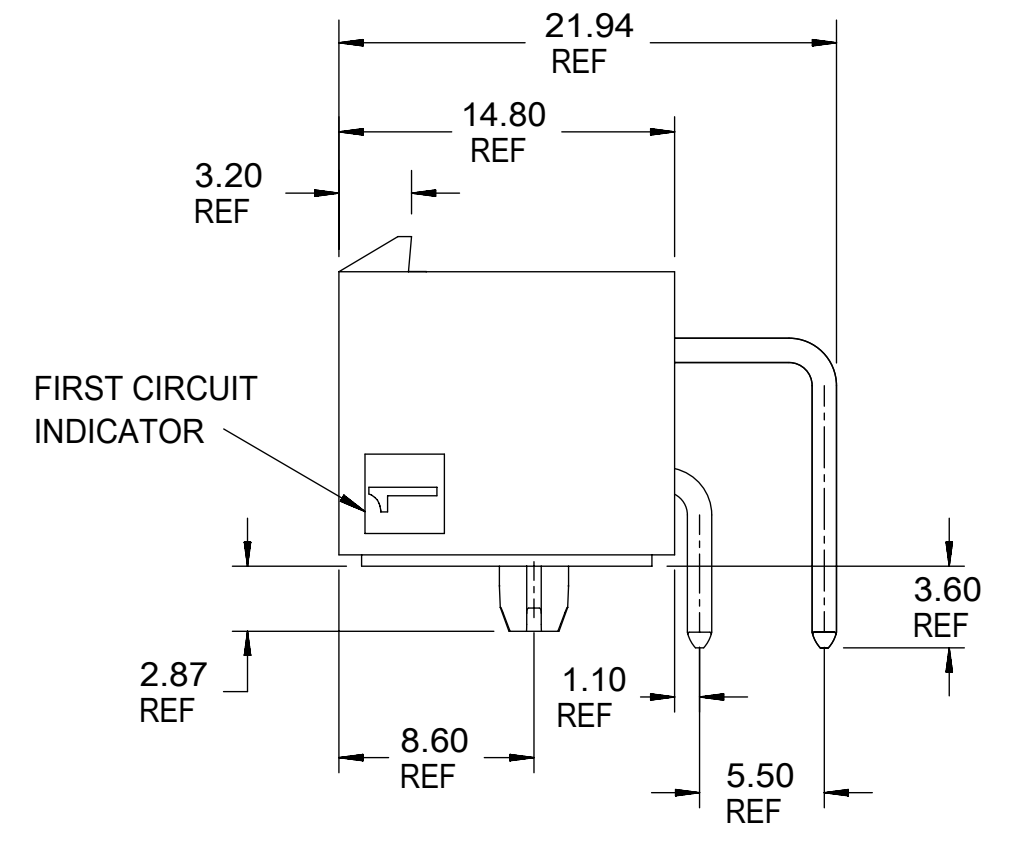
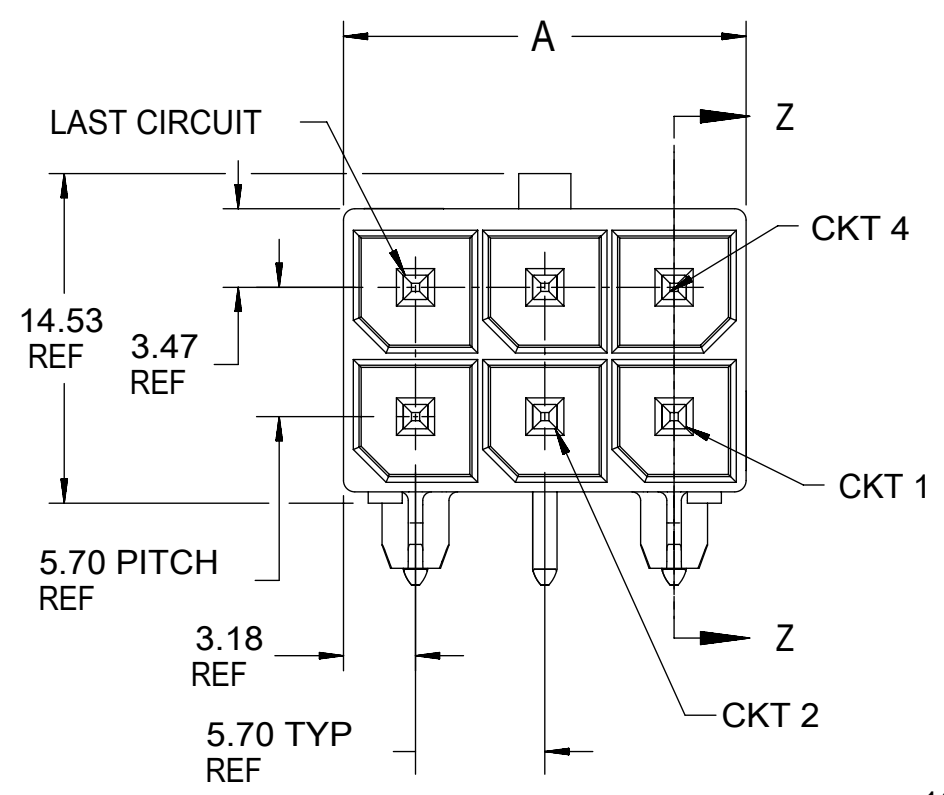


CKT SIZE	DIM A	DIM B	DIM C
2	8.35	N/A	9.35
4	12.05	N/A	13.05
6	17.75	11.40	18.75
8	23.45	17.10	24.45
10	29.15	22.80	30.15
12	34.85	28.50	35.45



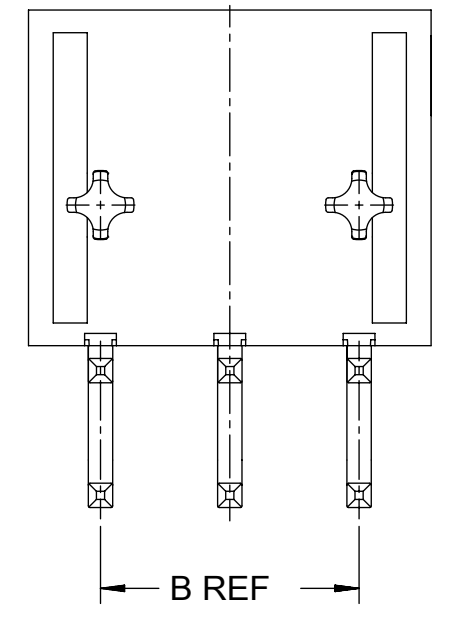
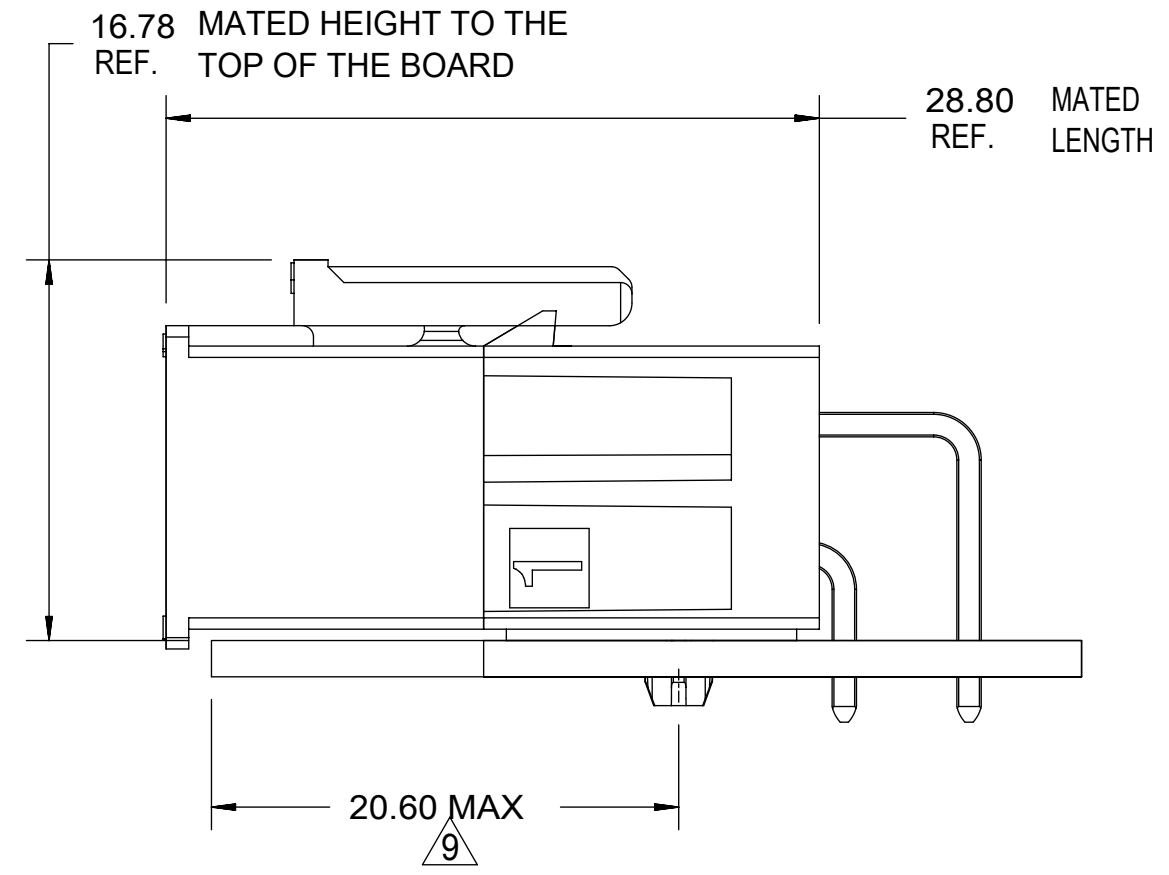
6 CKT SHOWN



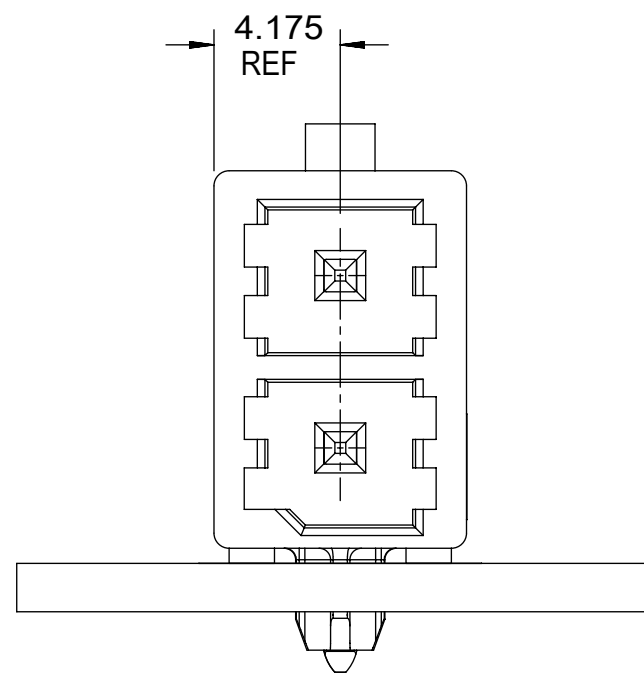
SECTION Z-Z

NOTES:

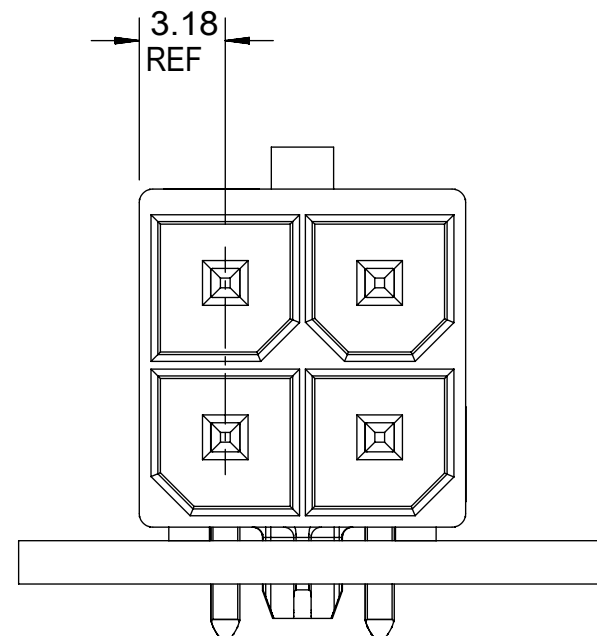
- MATERIAL:
HOUSING LCP, UL94V-0, BLACK.
TERMINAL: HIGH CONDUCTIVITY COPPER.
- TERMINAL PLATING:
(TIN) 1.52 MICROMETER MIN (60 MICROINCH MIN) REFLOWED MATTE TIN OVER
1.27 MICROMETER MIN (50 MICROINCH MIN) MIN NICKEL OVERALL.
(15 GOLD) 0.38 MICROMETER MIN (15 MICROINCH MIN) SELECTIVE GOLD ON CONTACT AREA WITH 2.54 MICROMETER MIN (100 MICROINCHES MIN) SELECTIVE TIN ON SOLDER AREA BOTH OVER 1.27 MICROMETER MIN (50 MICROINCHES MIN) NICKEL OVERALL.
(30 GOLD) 0.76 MICROMETER MIN (30 MICROINCH MIN) SELECTIVE GOLD ON CONTACT AREA WITH 2.54 MICROMETER MIN (100 MICROINCHES MIN) SELECTIVE TIN ON SOLDER AREA BOTH OVER 1.27 MICROMETER MIN (50 MICROINCHES MIN) NICKEL OVERALL.
- PRODUCT SPECIFICATION PS-76825-100/1720631000-PS.
- PACKAGING: TRAY PACKED PER MOLEX SPECIFICATION PK-76825-0000.
- PACKAGING: TRAY PACKED PER MOLEX SPECIFICATION 768250001-PK.
- PART MATES WITH MOLEX PART NUMBER 170001 AND 171692 SERIES.
- APPLICATION SPECIFICATION: AS-76823-100
- PARTS CONFORM TO CLASS "B" REQUIREMENTS OF COSMETIC SPECIFICATION PS-45499-002.
- TO AVOID INTERFERENCE BETWEEN RECEPTACLE AND PCB, HEADER MUST BE PLACED WITHIN 20.6 MAX FROM EDGE OF PCB AS SHOWN FOR 4 THRU 12 CKTS. FOR 2CKT PARTS THIS DIMENSION IS 15.1 MAX.
- CIRCUITS SHOWN PROVIDE THE "MAKE-FIRST/BREAK-LAST" FEATURE, SEE CHART FOR CIRCUIT LOCATIONS.



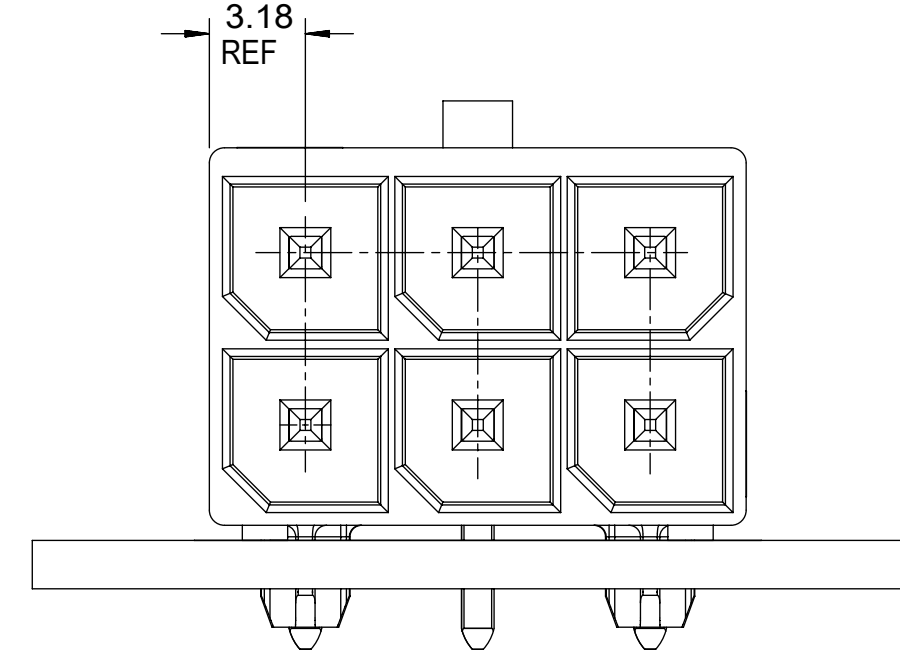
FUNCTIONAL SYMBOLS	THIS DRAWING CONTAINS INFORMATION THAT IS PROPRIETARY TO MOLEX ELECTRONIC TECHNOLOGIES, LLC AND SHOULD NOT BE USED WITHOUT WRITTEN PERMISSION									
	DIMENSION UNITS	SCALE					CURRENT REV DESC:			
$\frac{E_A}{A} = 0$	mm	1:1	EC NO: 662504		2021/03/15					
$\frac{E_C}{C} = 0$	GENERAL TOLERANCES (UNLESS SPECIFIED)		DRWN: ALUO02							
$\frac{E_P}{P} = 0$	ANGULAR TOL $\pm 0.5^\circ$		CHK'D: YXZHENG		2021/04/30					
DIVISIONAL SYMBOLS	4 PLACES	\pm	APPR: YXZHENG		2021/04/30					
	3 PLACES	\pm	INITIAL REVISION:							
	2 PLACES	± 0.25	DRWN: MKARADIMAS		2012/08/03					
	1 PLACE	\pm	APPR: APATEL		2012/08/17					
0 PLACES	\pm									
DRAFT WHERE APPLICABLE MUST REMAIN WITHIN DIMENSIONS		THIRD ANGLE PROJECTION	DRAWING	SERIES	MATERIAL NUMBER	CUSTOMER	DOCUMENT NUMBER	DOC TYPE	DOC PART	REVISION
			A2-SIZE	171596	SEE TABLE	GENERAL MARKET	SD-171596-0100	PSD	001	F2
										SHEET NUMBER
										1 OF 3



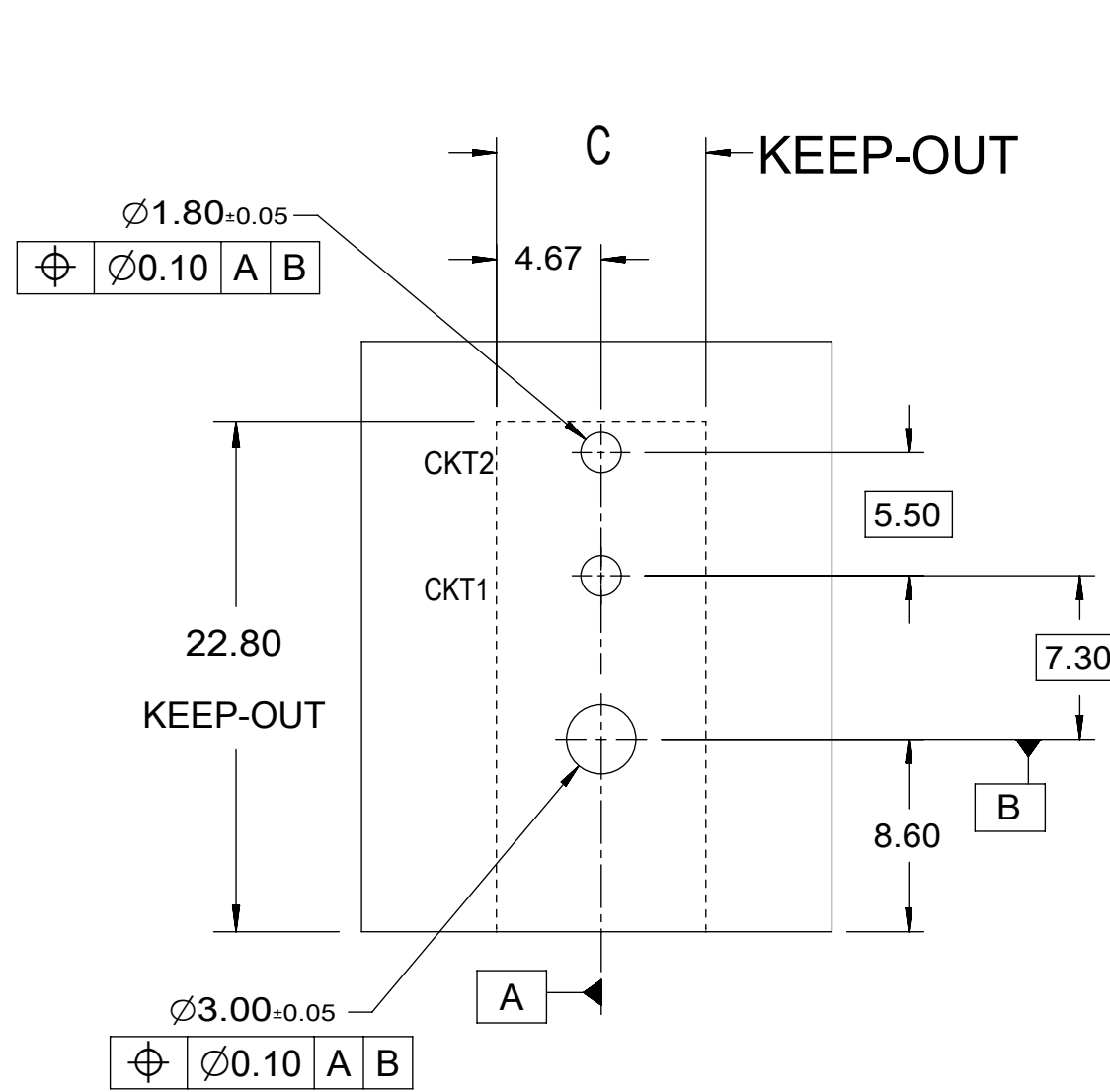
2 CIRCUIT



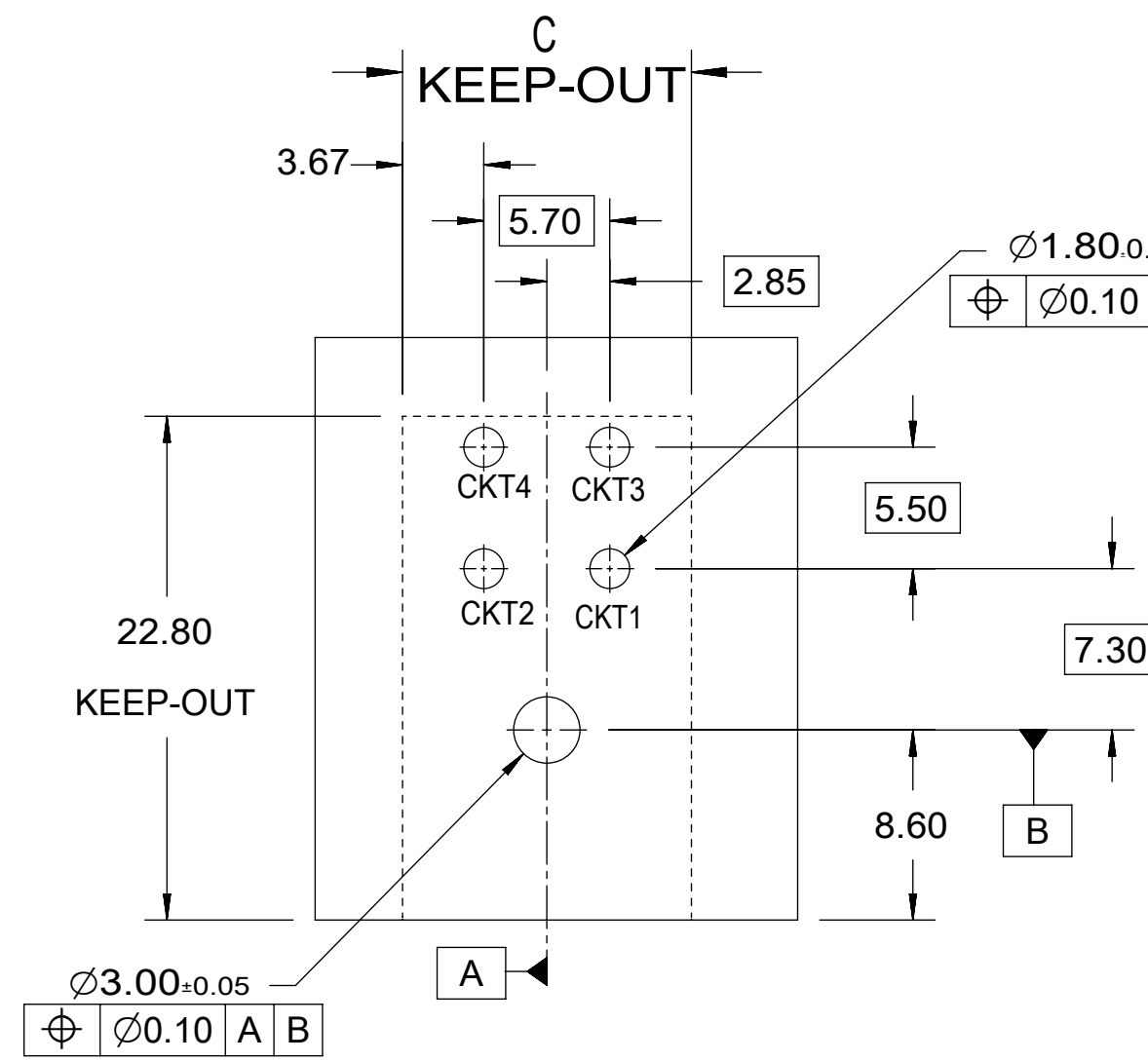
4 CIRCUIT



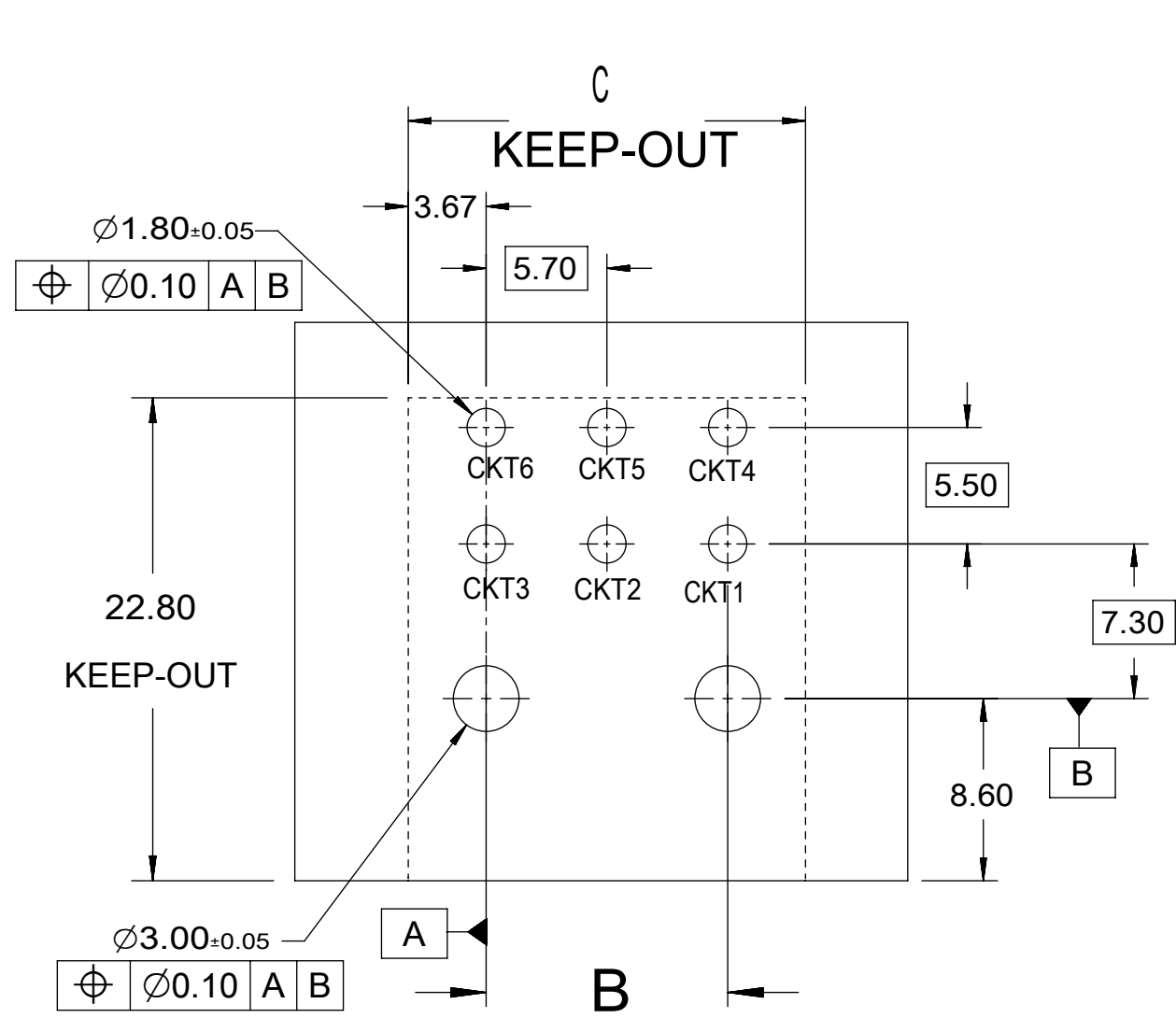
6-12 CIRCUIT



PCB LAYOUT: COMPONENT SIDE
RECOMENDED PCB THICKNESS: 1.58 MM/.062 IN
TO 2.36 MM/.093 IN



PCB LAYOUT: COMPONENT SIDE
RECOMENDED PCB THICKNESS: 1.58 MM/.062 IN
TO 2.36 MM/.093 IN



PCB LAYOUT: COMPONENT SIDE
RECOMENDED PCB THICKNESS: 1.58 MM/.062 IN
TO 2.36 MM/.093 IN

FUNCTIONAL SYMBOLS	THIS DRAWING CONTAINS INFORMATION THAT IS PROPRIETARY TO MOLEX ELECTRONIC TECHNOLOGIES, LLC AND SHOULD NOT BE USED WITHOUT WRITTEN PERMISSION		
	DIMENSION UNITS	SCALE	CURRENT REV DESC:
$\frac{F}{A} = 0$	mm	1:1	<p>molex</p> <p>MEGA-FIT R/A HEADER ASSY 2-12 CKT CUSTOM</p> <p>PRODUCT CUSTOMER DRAWING</p>
$\frac{F}{C} = 0$	GENERAL TOLERANCES (UNLESS SPECIFIED)		
$\frac{F}{P} = 0$	ANGULAR TOL ± 0.5°		
DIVISIONAL SYMBOLS	4 PLACES ±		
	3 PLACES ±		
	2 PLACES ± 0.25		
1 PLACE ±		EC NO: 662504	
0 PLACES ±		DRWN: ALUO02 2021/03/15	
DRAFT WHERE APPLICABLE MUST REMAIN WITHIN DIMENSIONS		CHK'D: YXZHENG 2021/04/30	
THIRD ANGLE PROJECTION		APPR: YXZHENG 2021/04/30	
DRAWING		INITIAL REVISION:	
SERIES		DRWN: MKARADIMAS 2012/08/03	
MATERIAL NUMBER		APPR: APATEL 2012/08/17	
CUSTOMER		DOCUMENT NUMBER	
SHEET NUMBER		DOC TYPE	
A2-SIZE		DOC PART	
171596		REVISION	
SEE TABLE		SD-171596-0100	
GENERAL MARKET		PSD	
2 OF 3		001	
		F2	

	ITEM NO.	CKT SIZE	PLATING	LETTER INDICATES PIN PLATING AND LENGTH REQUIRED AT EACH CIRCUIT LOCATION SEE NOTE 2 SHT 1 V = VOIDED CIRCUIT												PK SPEC
				1	2	3	4	5	6	7	8	9	10	11	12	
H	171596-0001	8	15 GOLD	15GS	V	15GS	15GS	15GS	V	15GS	15GS					TRAY \triangle_4
	171596-0002	4	TIN	TS	TS	TS	TM									
	171596-0003	12	15 GOLD	15GS	V	15GS	15GS	V	15GS	15GS	V	15GS	15GS	V	15GS	
	171596-0004	4	TIN	TS	TS	V	TS									
	171596-0005	6	30 GOLD	30GM	V	30GS	V	30GS	V							
	171596-0006	6	15 GOLD	15GM	15GS	15GM	15GS	15GS	15GS							

	ITEM NO.	CKT SIZE	PLATING	LETTER INDICATES PIN PLATING AND LENGTH REQUIRED AT EACH CIRCUIT LOCATION SEE NOTE 2 SHT 1 V = VOIDED CIRCUIT												PK SPEC
				1	2	3	4	5	6	7	8	9	10	11	12	
F	* 171596-0901	8	15 GOLD	15GS	V	15GS	15GS	15GS	V	15GS	15GS					TAPE&REEL
	* 171596-0902	4	TIN	TS	TS	TS	TM									
	* 171596-0903	12	15 GOLD	15GS	V	15GS	15GS	V	15GS	15GS	V	15GS	15GS	V	15GS	
	* 171596-0904	4	TIN	TS	TS	V	TS									
	* 171596-0905	6	30 GOLD	30GM	V	30GS	V	30GS	V							
	* 171596-0906	6	15 GOLD	15GM	15GS	15GM	15GS	15GS	15GS							

* DESIGNATES PART NOT RELEASED
CONTACT FACTORY FOR AVAILABILITY.

TERMINAL PLATING AND LENGTH CODE

30GS = 30 GOLD, STANDARD LENGTH
15GS = 15 GOLD, STANDARD LENGTH
TS = TIN, STANDARD LENGTH
30GM = 30 GOLD, MAKE FIRST/ BREAK-LAST (LONGER)
15GM = 15 GOLD, MAKE FIRST/ BREAK-LAST (LONGER)
TM = TIN, MAKE FIRST/ BREAK-LAST (LONGER)
V = VOID CIRCUIT

FUNCTIONAL SYMBOLS	THIS DRAWING CONTAINS INFORMATION THAT IS PROPRIETARY TO MOLEX ELECTRONIC TECHNOLOGIES, LLC AND SHOULD NOT BE USED WITHOUT WRITTEN PERMISSION		
	DIMENSION UNITS	SCALE	CURRENT REV DESC:
$\triangle_A = 0$	mm	1:1	EC NO: 662504 DRWN: ALUO02 CHK'D: YXZHENG APPR: YXZHENG
$\triangle_C = 0$	GENERAL TOLERANCES (UNLESS SPECIFIED)		
$\triangle_P = 0$	ANGULAR TOL $\pm 0.5^\circ$		2021/03/15
DIVISIONAL SYMBOLS	4 PLACES	\pm	2021/04/30
	3 PLACES	\pm	2021/04/30
	2 PLACES	± 0.25	
	1 PLACE	\pm	
	0 PLACES	\pm	
INITIAL REVISION:			
DRWN: MKARADIMAS		2012/08/03	
APPR: APATEL		2012/08/17	
DRAFT WHERE APPLICABLE MUST REMAIN WITHIN DIMENSIONS		THIRD ANGLE PROJECTION	DRAWING
			SERIES
		A2-SIZE	171596
DOCUMENT STATUS		P1	RELEASE DATE
2021/04/30		03:44:40	
DOCUMENT NUMBER		DOC TYPE	DOC PART
SD-171596-0100		PSD	001
MATERIAL NUMBER		CUSTOMER	REVISION
SEE TABLE		GENERAL MARKET	F2
SHEET NUMBER		3 OF 3	