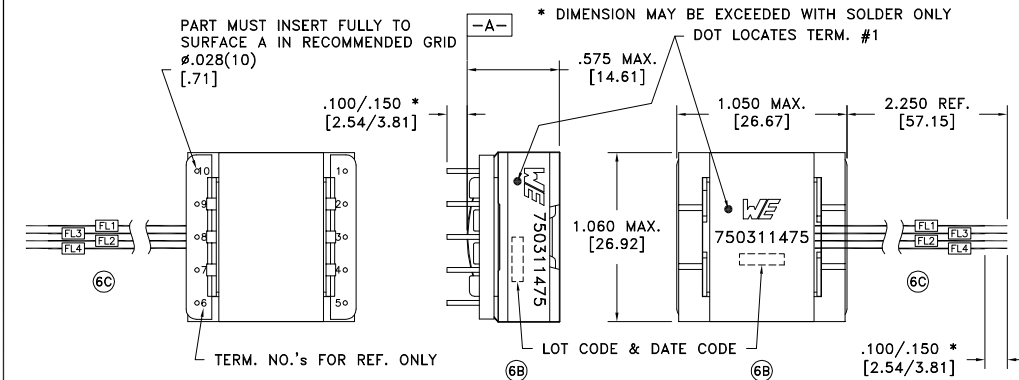
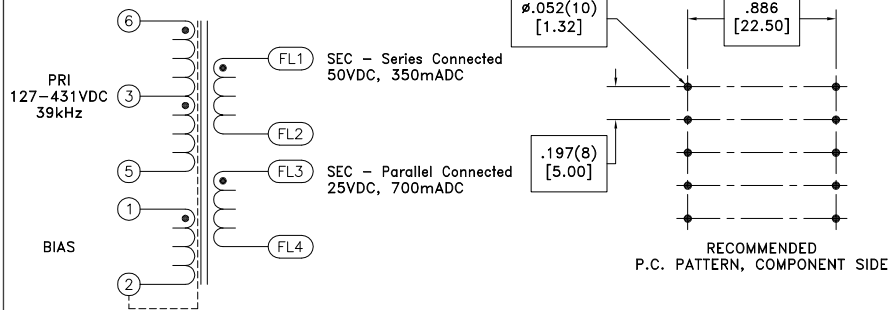


CUSTOMER TERMINAL	RoHS	LEAD(Pb)-FREE
Sn96%, Ag4%	Yes	Yes



ALTERNATE MARKING DETAIL



Designed for total output power of 18 Watts.

ELECTRICAL SPECIFICATIONS @ 25°C unless otherwise noted:

PARAMETER	TEST CONDITIONS	VALUE
D.C. RESISTANCE	6-5 @20°C	0.845 ohms ±20%
D.C. RESISTANCE	1-2 @20°C	0.235 ohms ±20%
D.C. RESISTANCE	FL1-FL2 @20°C	0.090 ohms ±20%
D.C. RESISTANCE	FL3-FL4 @20°C	0.090 ohms ±20%
INDUCTANCE	6-5 10kHz, 100mVAC, Ls	1.72mH ±10%
SATURATION CURRENT	20% rolloff from initial	1.05A
LEAKAGE INDUCTANCE	6-5 tie(1+2, FL1+FL2+FL3+FL4), 100kHz, 100mVAC, Ls	15uH max.
DIELECTRIC	6-FL1 tie(1+5, FL2+FL3), 4500VAC, 1 second	4500VAC, 1 minute
TURNS RATIO	(6-5):(1-2)	4.18:1, ±2%
TURNS RATIO	(6-5):(FL1-FL2)	7.67:1, ±2%
TURNS RATIO	(6-5):(FL3-FL4)	7.67:1, ±2%

GENERAL SPECIFICATIONS:

OPERATING TEMPERATURE RANGE: -40°C to +125°C including temp rise.

- ⑥ Designed to comply with the following requirements as defined by IEC61558-2-16 and EN61558-2-16:
 - Reinforced insulation for a primary circuit at a working voltage of 265Vrms, 400Vpeak (operating frequency of <1MHz).

DETAILS SUBJECT TO CHANGE

REV.	DATE	Packaging Specifications Method: Tray PKG-0819 www.we-online.com/midcom		Tolerances unless otherwise specified: Angles: ±1° Decimals: ±.005 [.13] Fractions: ±1/64 Footprint: ±.001 [.03]	DRAWING TITLE TRANSFORMER	PART NO. 750311475
6C	12/17					
6B	3/13					
6A	3/10	SEE REVISION SHEET FOR REVISION LEVEL		This drawing is dual dimensioned. Dimensions in brackets are in millimeters.	eiSos p/n: 750311475	SPECIFICATION SHEET 1 OF 1