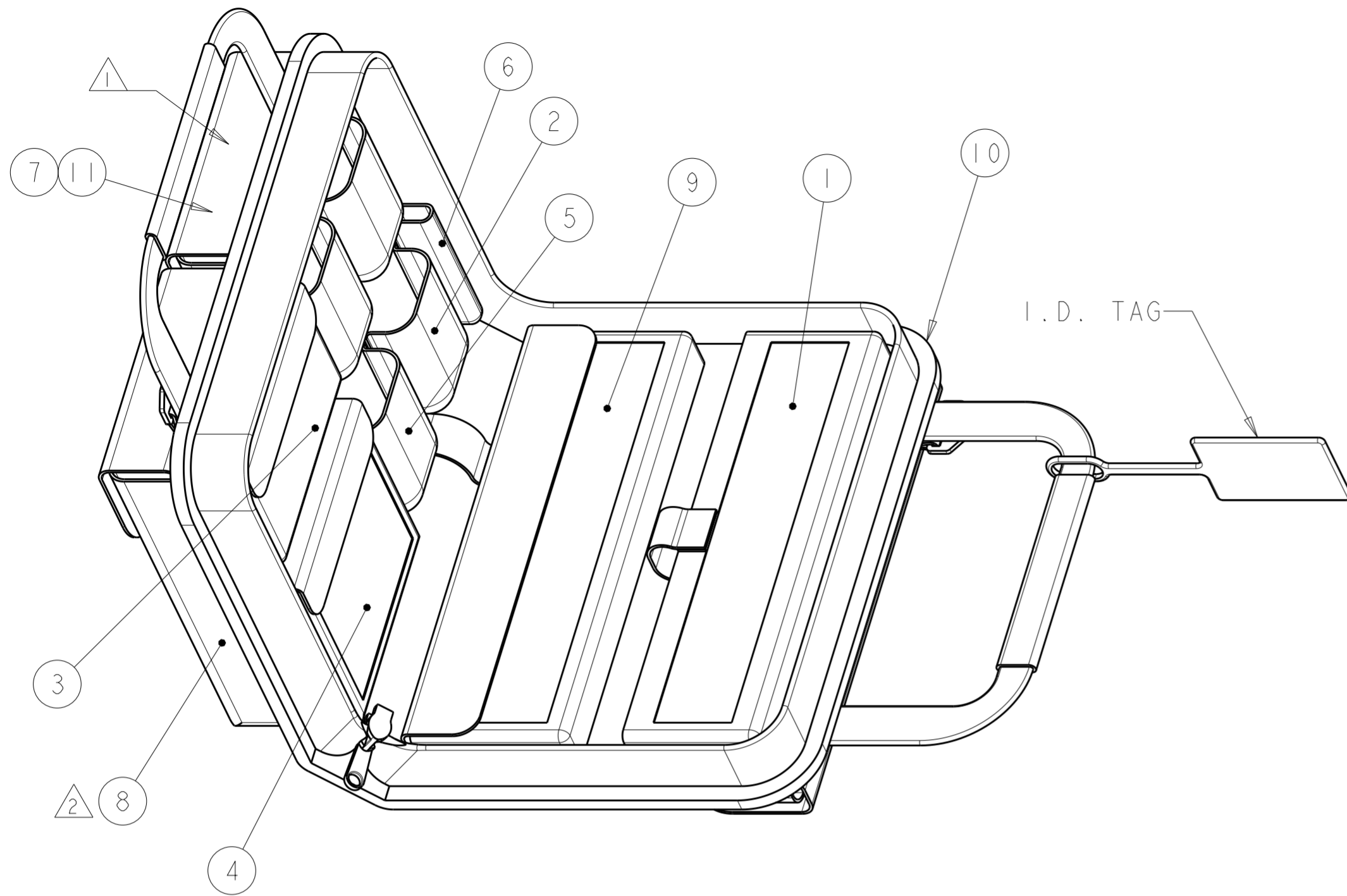


THIS DRAWING IS UNPUBLISHED. RELEASED FOR PUBLICATION 20
 © COPYRIGHT 20 BY - ALL RIGHTS RESERVED.

REVISIONS				
P	LTR	DESCRIPTION	DATE	APVD
	K	ECO-13-012991	14AUG2013	JM TE



△ 1 TE INSTRUCTION SHEETS AND MANUFACTURER'S INSTRUCTION SHEETS.
 △ 2 OPTIONAL SHOULDER STRAP.

1	1	2064710-1	FIBER OPTICS CLEANING & INSPECTION GUIDE	11
1	1	1278540-1	PREMIUM SOFTCASE	10
1	-	1754767-1	200x MICROSCOPE	9
1	1	1871696-1	FIBER CLEAVER, SLIDE CUTTER	8
1	1	1374503-1	CD ROM, TERMINATION TRAINING	7
2	2	1278422-1	OPEN END WRENCH, 1/4	6
1	1	1278637-1	ARAMID YARN SHEARS	5
1	1	492703-1	CABLE CLAMP, LightCrimp Plus ST	4
14	14	501857-2	ALCOHOL WIPES	3
1	1	1754708-1	FIBER STRIP TOOL, COMB.	2
1	1	492623-1	HAND TOOL WITH DIESET, ST	1
-2	-1	PART NUMBER	DESCRIPTION	ITEM NO.

THIS DRAWING IS A CONTROLLED DOCUMENT.		DWN B. BRIGGS 19MAY2006	STE TE Connectivity															
		CHK D. KIRSCH 19MAY2006																
		APVD S. BUCHTER 19MAY2006	NAME TERMINATION KIT, LightCrimp Plus, ST STYLE															
DIMENSIONS: mm		TOLERANCES UNLESS OTHERWISE SPECIFIED:		SIZE A200779														
<table border="0"> <tr><td>0 PLC</td><td>±</td></tr> <tr><td>1 PLC</td><td>±</td></tr> <tr><td>2 PLC</td><td>±</td></tr> <tr><td>3 PLC</td><td>±</td></tr> <tr><td>4 PLC</td><td>±</td></tr> <tr><td>ANGLES</td><td>±</td></tr> <tr><td>FINISH</td><td>±</td></tr> </table>		0 PLC	±	1 PLC	±	2 PLC	±	3 PLC	±	4 PLC	±	ANGLES	±	FINISH	±	PRODUCT SPEC -	DRAWING NO C-492697	RESTRICTED TO -
0 PLC	±																	
1 PLC	±																	
2 PLC	±																	
3 PLC	±																	
4 PLC	±																	
ANGLES	±																	
FINISH	±																	
MATERIAL -		APPLICATION SPEC -	SCALE NTS	SHEET OF														
		WEIGHT -	CUSTOMER DRAWING	REV K														