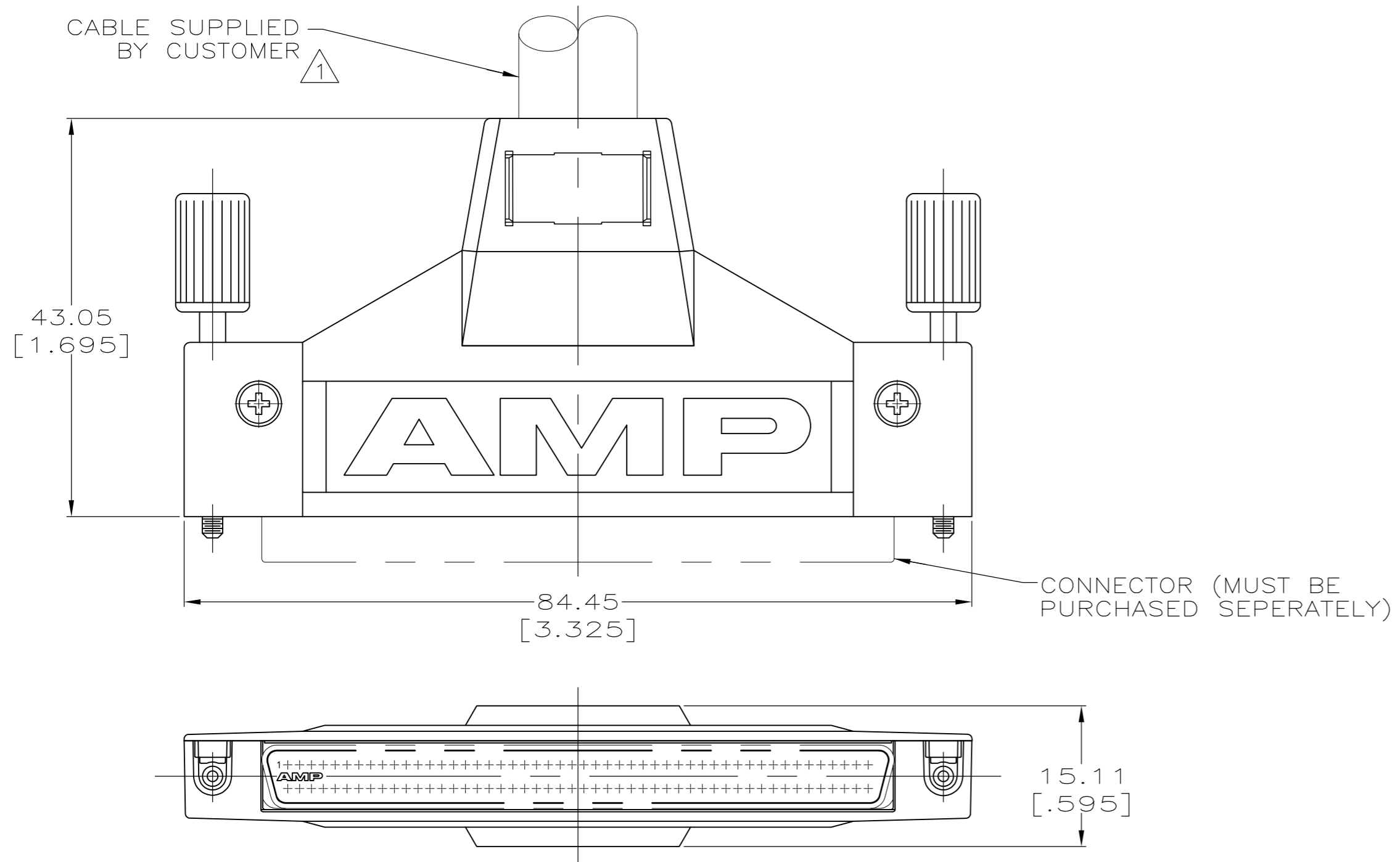
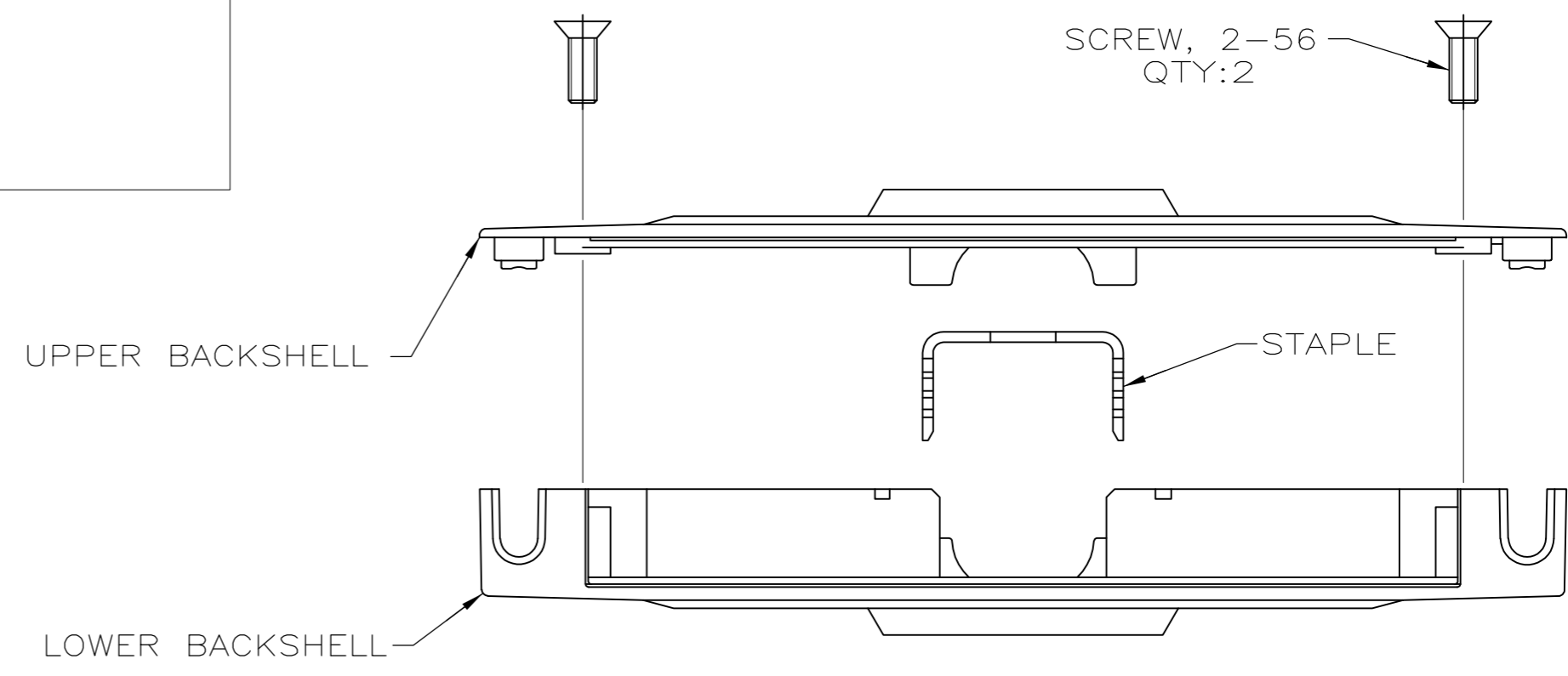
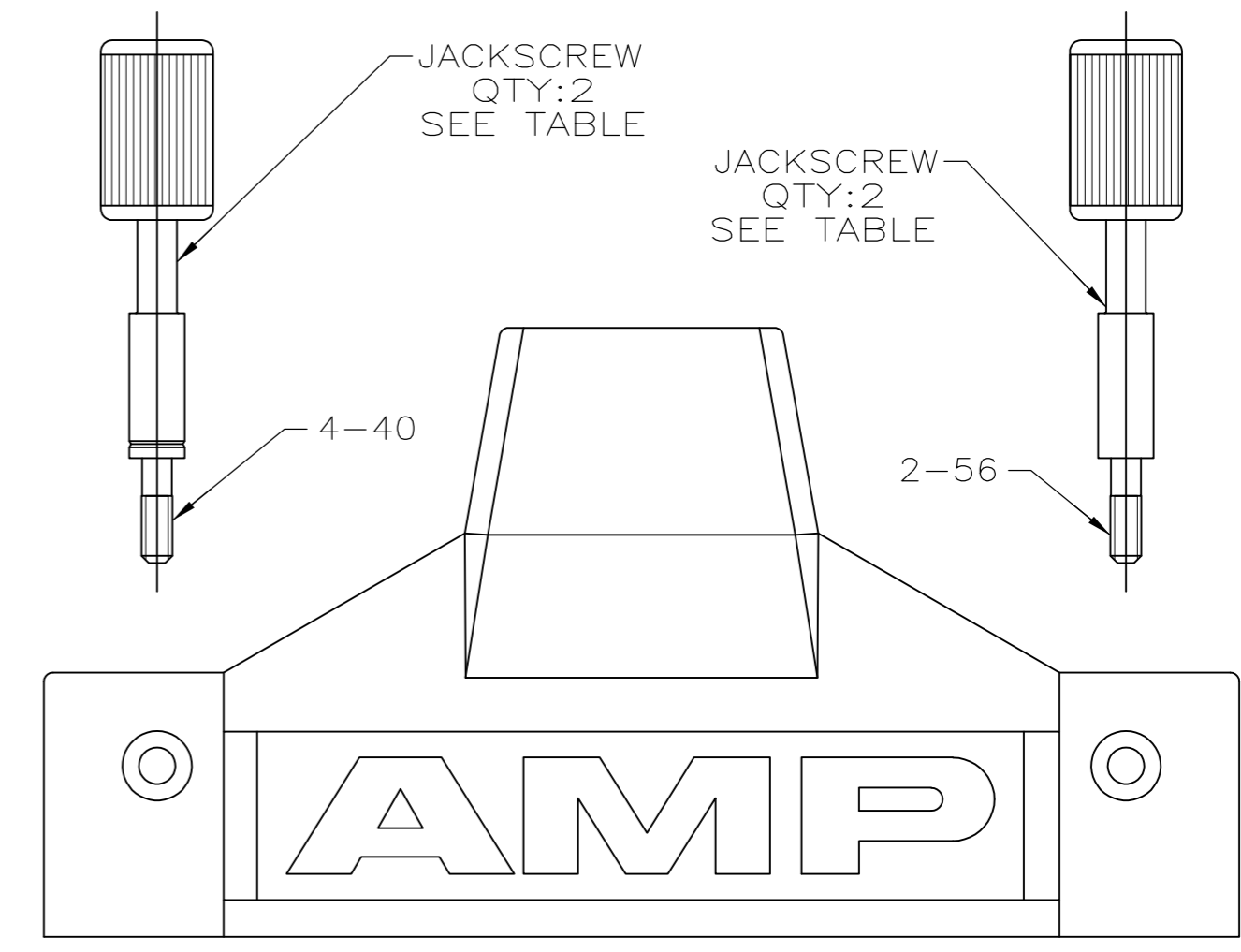


THIS DRAWING IS UNPUBLISHED. RELEASED FOR PUBLICATION
 © COPYRIGHT - By - ALL RIGHTS RESERVED.

| LOC | DIST | REVISIONS | | | |
|-----|------|---------------------------|-----------|-----|------|
| P | LTR | DESCRIPTION | DATE | DWN | APVD |
| GP | 00 | | | | |
| | F | REVISED PER ECO-11-012218 | 14JUL2011 | CJV | SLB |



ASSEMBLED VIEW



- 1 12.70[.500] MAX CABLE DIA.
- 2 BACKSHELLS: ZINC PER ASTM AG40A, UNS Z33521.
- 3 BACKSHELLS: NICKEL PLATED.
- 4 STAPLE, JACKSCREW BODY: STEEL PER ASTM A109.
- 5 STAPLE: BRIGHT TIN-LEAD PLATED.
- 6 JACKSCREW HEAD: POLYPROPYLENE OR NYLON, UL94V-0 RATED, BLACK.
- 7 JACKSCREWS: BLACK ZINC PLATED.
- 8 STAPLE: BRIGHT TIN PLATED.
- 9 SCREWS: STAINLESS STEEL.

| | | | |
|-------------------------|------------------|---------------|----------|
| SUPERSEDED BY 5749081-1 | 2-56 | 8 | 749081-3 |
| OBSOLETE | 4-40 | 5 | 749081-2 |
| | 2-56 | 5 | 749081-1 |
| | JACKSCREW THREAD | STAPLE FINISH | PART NO |

| | | | | |
|--|--|------------------------|---|--------------|
| THIS DRAWING IS A CONTROLLED DOCUMENT. | | DWN JACK ROOT 11-23-88 | TE TE Connectivity | |
| DIMENSIONS: mm [INCHES] | | CHK M.WATERS 12-01-88 | | |
| TOLERANCES UNLESS OTHERWISE SPECIFIED: | | APVD - | NAME | |
| 0 PLC ± - | | PRODUCT SPEC - | INDIVIDUAL KIT, BACKSHELLS WITH MALE JACKSCREWS, 100 POSITION AMPLIMITE .050 SERIES | |
| 1 PLC ± - | | APPLICATION SPEC - | SIZE | CAGE CODE |
| 2 PLC ± 0.38 [.015] | | WEIGHT - | A2 | 00779 |
| 3 PLC ± - | | | DRAWING NO C=749081 | |
| 4 PLC ± - | | | RESTRICTED TO | |
| ANGLES ± - | | | | |
| FINISH | | | | |
| 2 4 6 9 | | CUSTOMER DRAWING | | SCALE 2:1 |
| 3 5 7 8 | | | | SHEET 1 of 1 |
| | | | | REV F |