

SACC-MCI-M12MS-5CON - Contact carrier



1419988

<https://www.phoenixcontact.com/pc/products/1419988>

Please be informed that the data shown in this PDF document is generated from our online catalog. Please find the complete data in the user documentation. Our general terms of use for downloads are valid.



Contact carrier, 5-position, Plug, straight, M12, coding: A , Front mounting, Square flange, Crimp connection, 0.34 mm², Item is lead-free in accordance with RoHS II without Exemption 6c (Pb <0.1%)

Your advantages

- Convenient field assembly: device connectors for fast on-site mounting
- Contact carriers that are designed for assembly or available with preassembled litz wires
- Standard pin assignments for signal and power transmission with a uniform design-in design

Commercial data

Item number	1419988
Packing unit	10 pc
Minimum order quantity	10 pc
Product key	ABQAGM
Catalog page	Page 45 (C-2-2019)
GTIN	4046356533751
Weight per piece (including packing)	2.4 g
Weight per piece (excluding packing)	1.24 g
Customs tariff number	85366990
Country of origin	DE

Technical data

Notes

<p>General</p>	<p>The electrical and mechanical data specified assume that the connector pair is correctly locked and mounted. If the connector is unlocked and if there is a danger of contamination, the connector must be sealed using a protective cap > IP54. Influences arising from litz wires, cables or PCB assembly must also be taken into consideration.</p>
<p>Safety note</p>	<p>WARNING: The connectors may not be plugged in or disconnected under load. Ignoring the warning or improper use may damage persons and/or property.</p> <ul style="list-style-type: none"> • WARNING: Commission properly functioning products only. The products must be regularly inspected for damage. Decommission defective products immediately. Replace damaged products. Repairs are not possible. • WARNING: Only electrically qualified personnel may install and operate the product. They must observe the following safety notes. The qualified personnel must be familiar with the basics of electrical engineering. They must be able to recognize and prevent danger. The relevant symbol on the packaging indicates that only personnel familiar with electrical engineering are allowed to install and operate the product. • The products are suitable for applications in plant, controller, and electrical device engineering. • When operating the connectors in outdoor applications, they must be separately protected against environmental influences. • Assembled products may not be manipulated or improperly opened. • Only use mating connectors that are specified in the technical data of the standards listed (e.g. the ones listed in the product accessories online at phoenixcontact.com/products). • When using the product in direct connection with third-party manufacturers, the user is responsible. • For operating voltages > 50 V AC, conductive connector housings must be grounded • Ensure that when laying the cable, the tensile load on the connectors does not exceed the upper limit specified in the standards. • Observe the corresponding technical data. You will find information: <ul style="list-style-type: none"> o On the product o On the packing label o In the supplied documentation o Online at phoenixcontact.com/products under the product • Only use tools recommended by Phoenix Contact • Use a protective cap to protect connectors that are not in use. The suitable accessories are available online in the accessory section of the product at phoenixcontact.com/products • Ensure that the protective or functional ground has been properly connected.

SACC-MCI-M12MS-5CON - Contact carrier



1419988

<https://www.phoenixcontact.com/pc/products/1419988>

	<ul style="list-style-type: none">• VDE 0100/1.97 § 411.1.3.2 and DIN EN 60 204/11.98 § 14.1.3 are applicable when combining several circuits in a cable and/or connector• The connector warms up in normal operation. Depending on the ambient conditions, the surface of the connector can continue to warm up. In this case, the user is responsible for posting warnings (e.g. DIN EN ISO 13732-1:2008-12).
--	--

Product properties

Number of positions	5
No. of cable outlets	1
Seal present	no
Shielded	no
Coding	A
Thread type	M12

Insulation characteristics

Overvoltage category	II
Degree of pollution	3

Electrical properties

Rated surge voltage	1.5 kV
Contact resistance	≤ 3 mΩ
Insulation resistance	≥ 100 MΩ
Nominal voltage U_N	60 V
Nominal current I_N	4 A

Signaling

Status display	No
Status display present	No

Material specifications

Flammability rating according to UL 94	V0
Contact carrier material	PA 6.6

Connector

Connection 1

Head design	Plug
Head cable outlet	straight
Head thread type	M12
Coding	A

Cable/line

Ambient temperature (operation)	-40 °C ... 85 °C (cable, fixed installation)
	-25 °C ... 85 °C (Cable, flexible installation)

SACC-MCI-M12MS-5CON - Contact carrier



1419988

<https://www.phoenixcontact.com/pc/products/1419988>

Mechanical properties

Mechanical data

Insertion/withdrawal cycles	> 100
-----------------------------	-------

Environmental and real-life conditions

Ambient conditions

Degree of protection	IP67
	IP67
Ambient temperature (operation)	-25 °C ... 85 °C (Plug / socket)
	-40 °C ... 85 °C (without mechanical actuation)
	-25 °C ... 85 °C (Cable, flexible installation)
	-40 °C ... 85 °C (cable, fixed installation)

Standards and regulations

M12

Standard designation	M12 connector
Standards/specifications	IEC 61076-2-101

Mounting

Mounting type	Front mounting Square flange 25 mm side length
Assembly instructions	25 mm side length
Connection method	Crimp connection

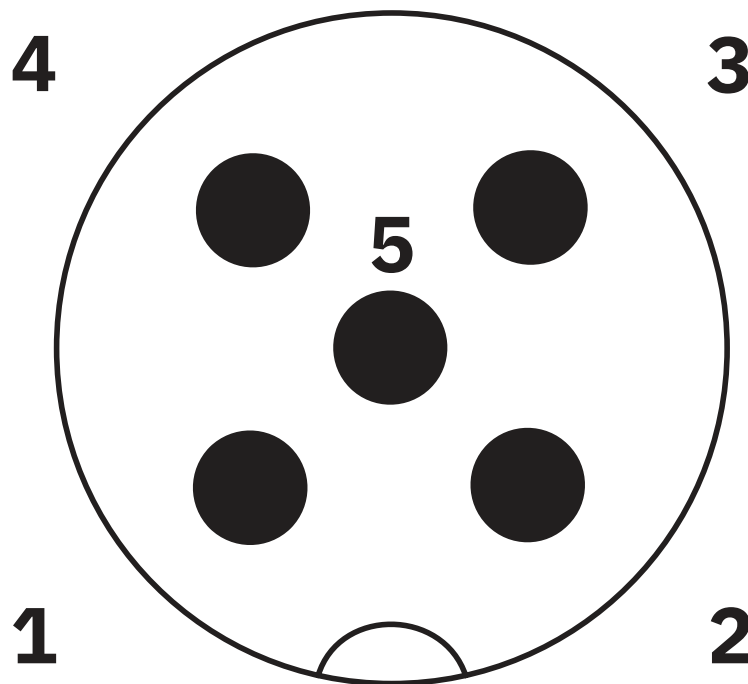
SACC-MCI-M12MS-5CON - Contact carrier

1419988

<https://www.phoenixcontact.com/pc/products/1419988>

Drawings

Schematic diagram



Pin assignment M12 male connector, 5-pos., A-coded, male side

Circuit diagram

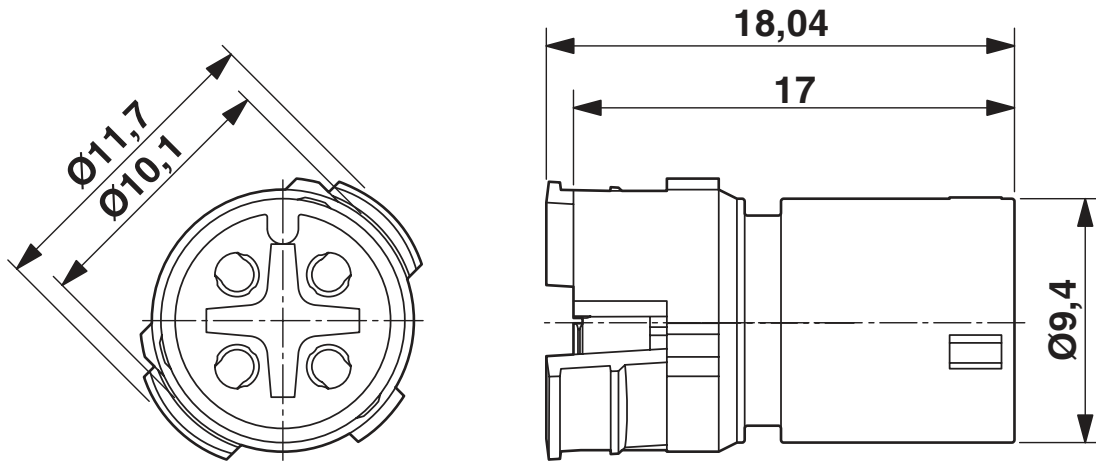


SACC-MCI-M12MS-5CON - Contact carrier

1419988

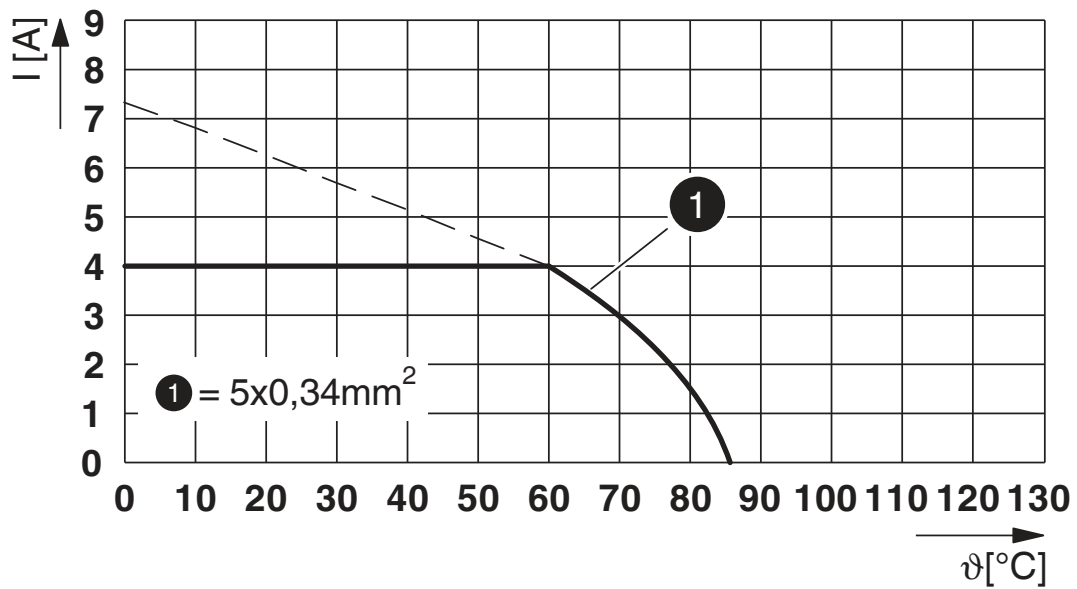
<https://www.phoenixcontact.com/pc/products/1419988>

Dimensional drawing



Dimensional drawing

Diagram



I = current strength, T = ambient temperature

SACC-MCI-M12MS-5CON - Contact carrier



1419988

<https://www.phoenixcontact.com/pc/products/1419988>

Approvals

To download certificates, visit the product detail page: <https://www.phoenixcontact.com/pc/products/1419988>



EAC

Approval ID: B.01687

SACC-MCI-M12MS-5CON - Contact carrier



1419988

<https://www.phoenixcontact.com/pc/products/1419988>

Classifications

ECLASS

ECLASS-11.0	27440223
ECLASS-12.0	27440116
ECLASS-13.0	27440223

ETIM

ETIM 8.0	EC003557
----------	----------

UNSPSC

UNSPSC 21.0	39121400
-------------	----------

SACC-MCI-M12MS-5CON - Contact carrier



1419988

<https://www.phoenixcontact.com/pc/products/1419988>

Environmental product compliance

China RoHS	Environmentally friendly use period: unlimited = EFUP-e
	No hazardous substances above threshold values

SACC-MCI-M12MS-5CON - Contact carrier

1419988

<https://www.phoenixcontact.com/pc/products/1419988>



Accessories

CC-1,0-ST-0,34-MS AU - Crimp contact

1452356

<https://www.phoenixcontact.com/pc/products/1452356>



Crimp contact, Pin, turned, contact diameter: 1 mm, crimp range: 0.08 mm² ... 0.5 mm², Alternative product in accordance with RoHS II without Exemption 6c (Pb <0.1%) item no.: 1239798

SACC-MSQ-M12MS-25-3,2 SCO - Housing screw connection

1419959

<https://www.phoenixcontact.com/pc/products/1419959>



Housing screw connection, M12, on free cable end, Front mounting, square flange 25 mm side length, Square flange, Individual wires

Phoenix Contact 2023 © - all rights reserved

<https://www.phoenixcontact.com>

PHOENIX CONTACT GmbH & Co. KG

Flachsmarktstraße 8

D-32825 Blomberg

+49 (0) 5235-3 00

info@phoenixcontact.com