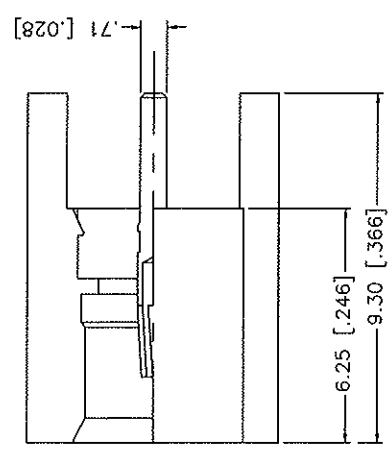
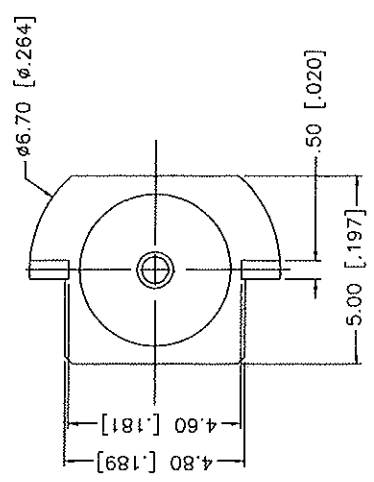
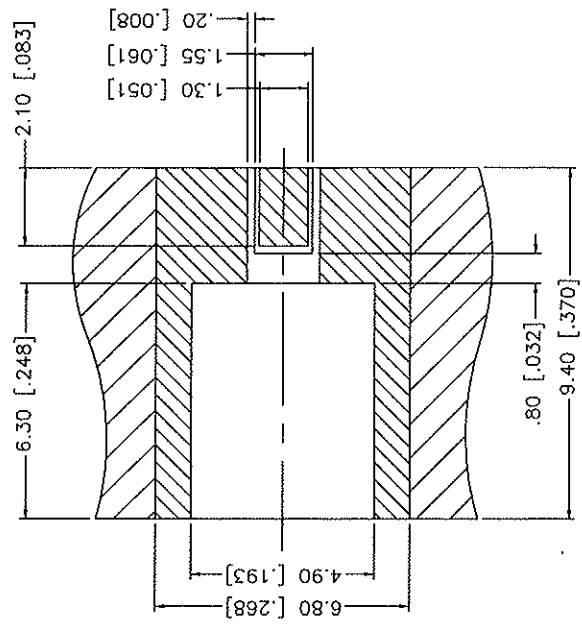


REV.	DATE	ECR NO.	DESCRIPTION
NC	08/15/04	-	INITIAL RELEASE
A	04/20/08	100007	ADD LANDING PATTERN



UNLESS OTHERWISE SPECIFIED DIMENSIONS ARE IN MILLIMETERS DIMENSIONS IN [ ] ARE IN INCHES AND FOR CUSTOMER REFERENCE ONLY.		APPROVALS	DATE		
UNLESS OTHERWISE SPECIFIED TOLERANCES FOR MILLIMETERS ARE: 0.5 - 8mm ± 0.20mm 8 - 30mm ± 0.40mm 30 - 120mm ± 0.50mm		DRN CR	04/20/08		
UNLESS OTHERWISE SPECIFIED TOLERANCES FOR INCHES ARE: .020 - .315 ± 0.007" .315 - 1.180 ± 0.015" 1.180 - 4.724 ± 0.020"		CHECKED			
		ISSUED			
		SHEET 1 OF 1			
		CAD FILE C:/252/252151-75.DWG			
		DO NOT SCALE DRAWING			
3	CONTACT PIN	8ER. COPPER	GOLD	1	QTY
2	INSULATOR	PTFE	NATURAL	1	
1	BODY	BRASS	GOLD	1	
	DESCRIPTION	MATERIAL	FINISH		
PART DESCRIPTION		MCX EDGE CARD PCB MOUNT JACK (75 ohms)			
PART NO.		252151-75			
DWG. NO.		252151-75.DWG		REV.	A
				SIZE	A
				SCALE	NA

# Amphenol Connex