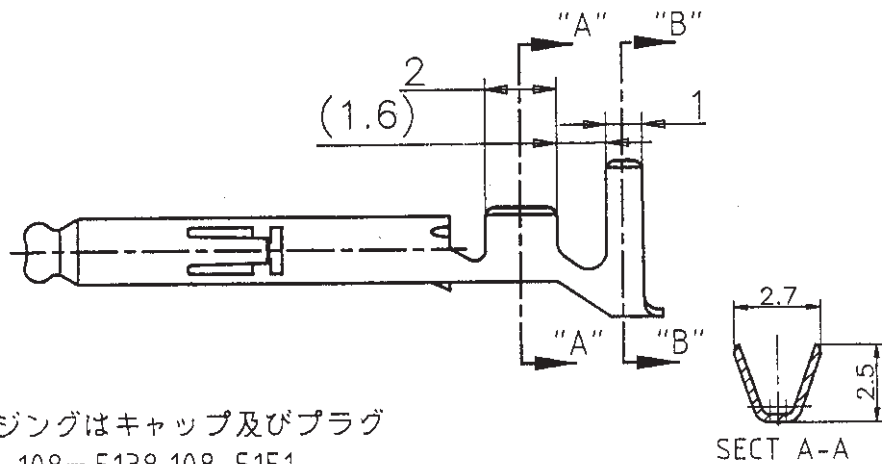
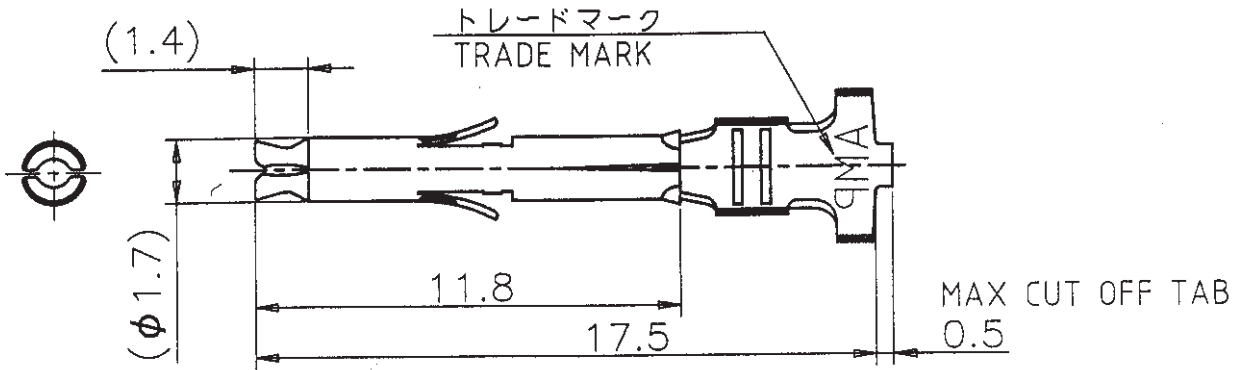


LOC		DIST		REVISIONS			
P	LTR	DESCRIPTION		DATE	DWN	APVD	
	C	REVISED PER ECR-20-100878		04DEC2020	PC	SW	

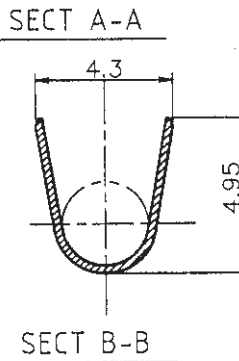


注記)

1. 使用ハウジングはキャップ及びプラグ
- ① 製品規格 108-5138, 108-5151
- ③ 取付適用規格 114-5050
4. 取扱説明書 411-5105

NOTES)

1. APPLICABLE HOUSING; CAP AND PLUG
- ① PRODUCT SPECIFICATION 108-5138, 108-5151
- ③ APPLICATION SPECIFICATION 114-5050
4. INSTRUCTION SHEET 411-5105



171639-1
型番 (PART NO.)

WIRE RANGE 適合電線断面積 0.5-1.3mm ² AWG #20-16	INSULATION DIA 被覆外形 2.0-3.2mm DIA 2.4mm DIA x 2
MATERIAL 材料 黄銅 (BRASS): 0.25t	FINISH 仕上 PRE-TIN

DIMENSIONS: 単位 MM	DWN <i>A. Oishi</i> 16 FEB 00
TOLERANCES UNLESS OTHERWISE SPECIFIED: 一般公差 ±0.3	CHK <i>M.S.L.</i> 16 FEB 00
ANGLES ±1°	APVD <i>M.S.L.</i> 16 FEB 00
	PRODUCT SPEC 製品規格 表参照 SEE TABLE ②
	APPLICATION SPEC 取付適用規格 表参照 SEE TABLE ③

TE Connectivity		NAME 名称 SOCKET (LOOSE PIECE) MINI UNIVERSAL MATE-N-LOK	
		SIZE 尺数 A4	CAGE CODE 番号 00779
CUSTOMER DRAWING		DRAWING NO 番号 C=171639	RESTRICTED TO
SCALE 尺数 5:1	SHEET 1 OF 1	REV C	

参考図面

RELEASED FOR PUBLICATION

ALL RIGHTS RESERVED.

THIS DRAWING IS UNPUBLISHED.

© COPYRIGHT