

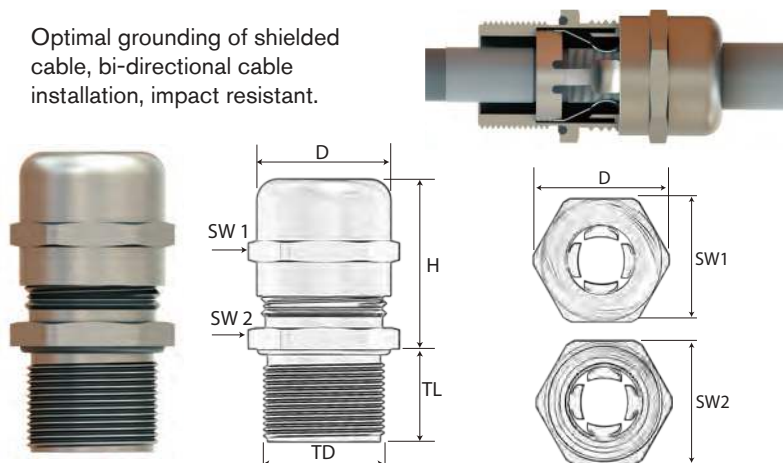
EMC Grounding Cable Glands

CG EMC-4 Metric / CG EMC-4 PG / CG EMC-4 NPT

Nickel plated brass EMC cable gland, vibration proof

Metric, PG, & NPT Thread

Optimal grounding of shielded cable, bi-directional cable installation, impact resistant.



Technical data:

Material:	Brass, Nickel Plated
Contact spring:	Special Copper Alloy
Clamping Insert:	Polyamide 6
Seal:	Chloroprene (CR)
O-Ring:	Neoprene (NBR)
Protection type:	IP 68 - 5 Bar NEMA 4X
Temperature range:	<i>permanent:</i> -20°C to +100°C <i>intermittent:</i> -40°C to +150°C
Flammability:	V2 (according to UL 94)
Approvals:	cURus, cULus, VDE, DNV-GL, CE



Part Number	Thread Type	Clamping Range Ø min-max (CR)		Outer Ø (D) inches	Shield Diameter (Ø min)		Wrenching Flats Cap (SW1) inches	Wrenching Flats Body (SW2) inches	Thread Diameter (TD) inches	Thread Length (TL) inches	Max. Height (H) inches	UL
		inches	mm		inches	mm						
Metric												
EM4-12	M12x1.5	0.118 - 0.256	3.0 - 6.5	0.610	0.079	2.0	0.551	0.551	0.472	0.236	1.181	cURus
EM4-16	M16x1.5	0.197 - 0.394	5.0 - 10.0	0.866	0.138	3.5	0.787	0.787	0.630	0.236	1.378	cURus
EM4-20	M20x1.5	0.236 - 0.472	6.0 - 12.0	0.965	0.177	4.5	0.866	0.866	0.787	0.236	1.319	cULus
EM4-20C	M20x1.5	0.295 - 0.551	7.5 - 14.0	1.055	0.217	5.5	0.945	0.945	0.787	0.315	1.634	cULus
EM4-25	M25x1.5	0.394 - 0.709	10.0 - 18.0	1.299	0.276	7.0	1.181	1.181	0.984	0.315	1.752	cULus
EM4-32	M32x1.5	0.630 - 0.984	16.0 - 25.0	1.752	0.472	12	1.575	1.575	1.260	0.354	2.165	cULus
EM4-40	M40x1.5	0.866 - 1.260	22.0 - 32.0	2.185	0.709	18	1.969	1.969	1.575	0.354	2.461	cULus
EM4-50	M50x1.5	1.181 - 1.496	30.0 - 38.0	2.520	1.024	26	2.283	2.283	1.969	0.354	2.913	cULus
EM4-63	M63x1.5	1.339 - 1.732	34.0 - 44.0	2.953	1.181	30	2.520	2.677	2.480	0.551	2.362	cULus
EM4-63C	M63x1.5	1.457 - 2.087	37.0 - 53.0	3.268	1.299	33	2.953	2.953	2.480	0.394	2.953	cULus
PG*												
EP4-7	PG 7	0.118 - 0.256	3.0 - 6.5	0.650	0.079	2.0	0.551	0.591	0.492	0.236	1.181	-
EP4-11	PG 11	0.197 - 0.394	5.0 - 10.0	0.906	0.138	3.5	0.787	0.827	0.732	0.236	1.378	-
EP4-13	PG 13.5	0.236 - 0.472	6.0 - 12.0	0.965	0.177	4.5	0.866	0.866	0.803	0.256	1.319	-
EP4-16	PG 16	0.295 - 0.551	7.5 - 14.0	1.083	0.217	5.5	0.945	0.984	0.886	0.256	1.634	-
EP4-21	PG 21	0.394 - 0.709	10.0 - 18.0	1.398	0.276	7.0	1.181	1.260	1.114	0.276	1.752	-
EP4-29	PG 29	0.630 - 0.984	16.0 - 25.0	1.752	0.472	12	1.575	1.575	1.457	0.354	2.165	-
EP4-36	PG 36	0.866 - 1.26	22.0 - 32.0	2.185	0.709	18	1.969	1.969	1.850	0.354	2.441	-
EP4-42	PG 42	1.181 - 1.496	30.0 - 38.0	2.618	1.024	26	2.283	2.362	2.126	0.472	2.933	-
EP4-48	PG 48	1.339 - 1.732	34.0 - 44.0	2.953	1.181	30	2.520	2.677	2.335	0.551	2.382	-
NPT**												
EN4-1/4	NPT 1/4	0.118 - 0.256	3.0 - 6.5	0.650	0.079	2.0	0.551	0.591	0.540	0.453	1.181	-
EN4-3/8	NPT 3/8	0.197 - 0.394	5.0 - 10.0	0.866	0.138	3.5	0.787	0.787	0.675	0.453	1.378	-
EN4-1/2	NPT 1/2	0.236 - 0.472	6.0 - 12.0	0.965	0.177	4.5	0.866	0.866	0.840	0.591	1.555	cULus
EN4-1/2C	NPT 1/2	0.295 - 0.551	7.5 - 14.0	1.055	0.217	5.5	0.945	0.945	0.840	0.591	1.634	cULus
EN4-1/2C-2	NPT 1/2	0.295 - 0.551	7.5 - 14.0	1.055	0.217	5.5	0.945	0.945	0.840	0.314	1.634	cULus
EN4-3/4	NPT 3/4	0.394 - 0.709	10.0 - 18.0	1.299	0.276	7.0	1.181	1.181	1.050	0.591	1.713	cULus
EN4-1	NPT 1	0.630 - 0.984	16.0 - 25.0	1.752	0.472	12	1.575	1.575	1.315	0.787	2.126	cULus
EN4-1 1/4	NPT 1 1/4	0.866 - 1.260	22.0 - 32.0	2.185	0.709	18	1.969	1.969	1.660	0.787	2.480	cULus
EN4-1 1/2	NPT 1 1/2	1.181 - 1.496	30.0 - 38.0	2.520	1.024	26	2.283	2.283	1.900	0.866	2.874	cULus
EN4-2	NPT 2	1.339 - 1.732	34.0 - 44.0	2.953	1.181	30	2.520	2.677	2.375	0.866	0.866	cULus

¹ PG - DNV-GL & CE only
^{*} NPT - cULus, DNV-GL & CE only
^{*} PG & NPT are not NEMA 4X rated

Locknuts need to be purchased separately, see page N/27