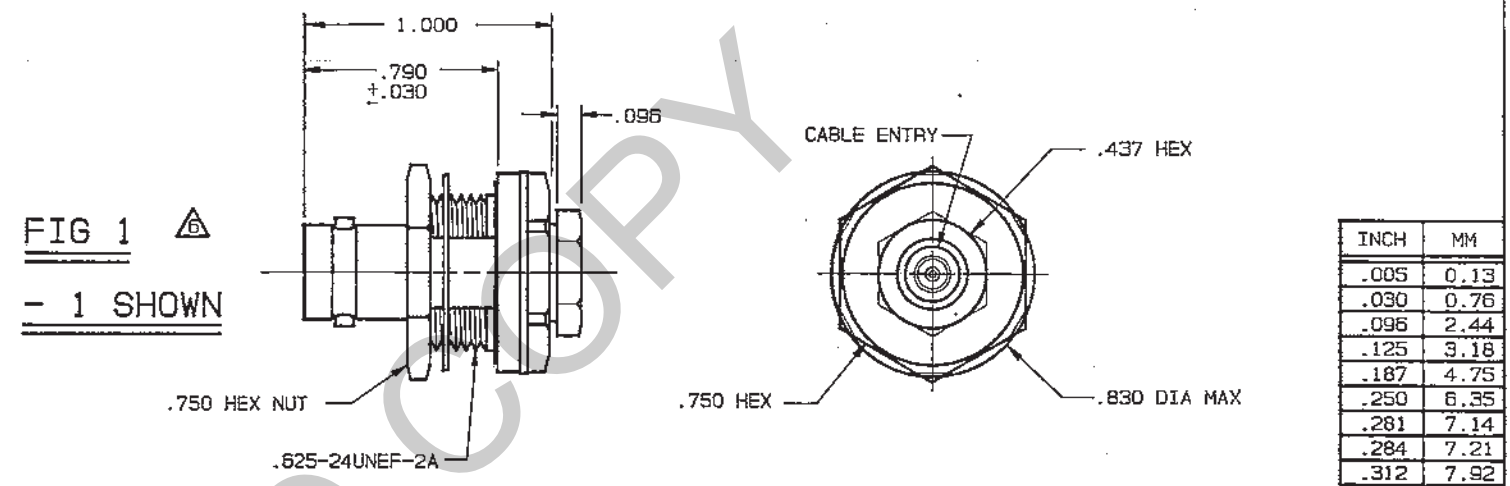
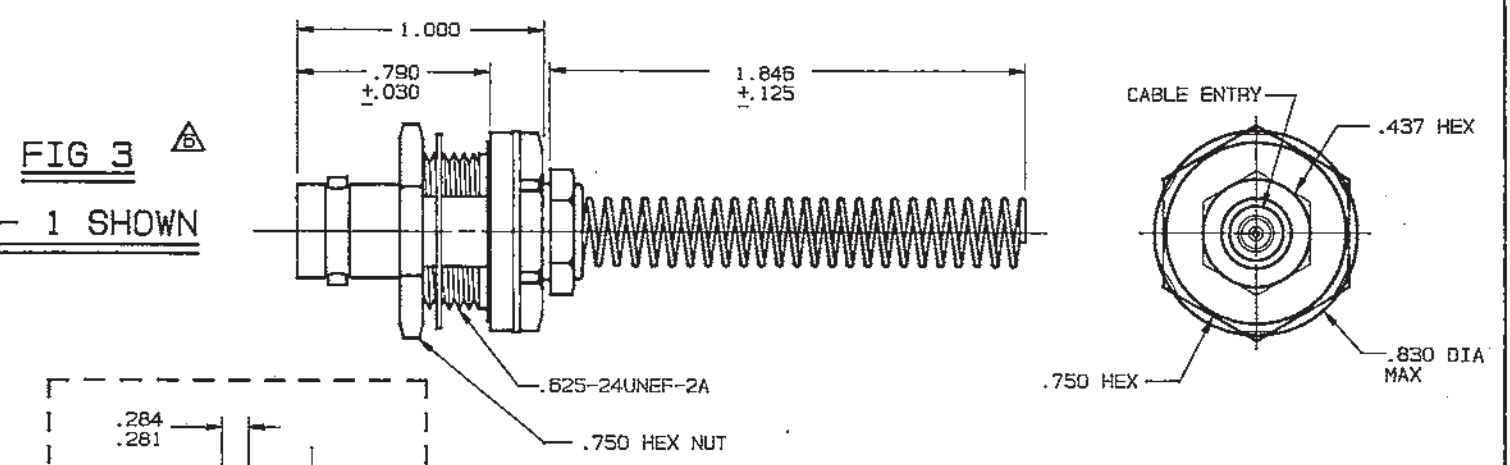
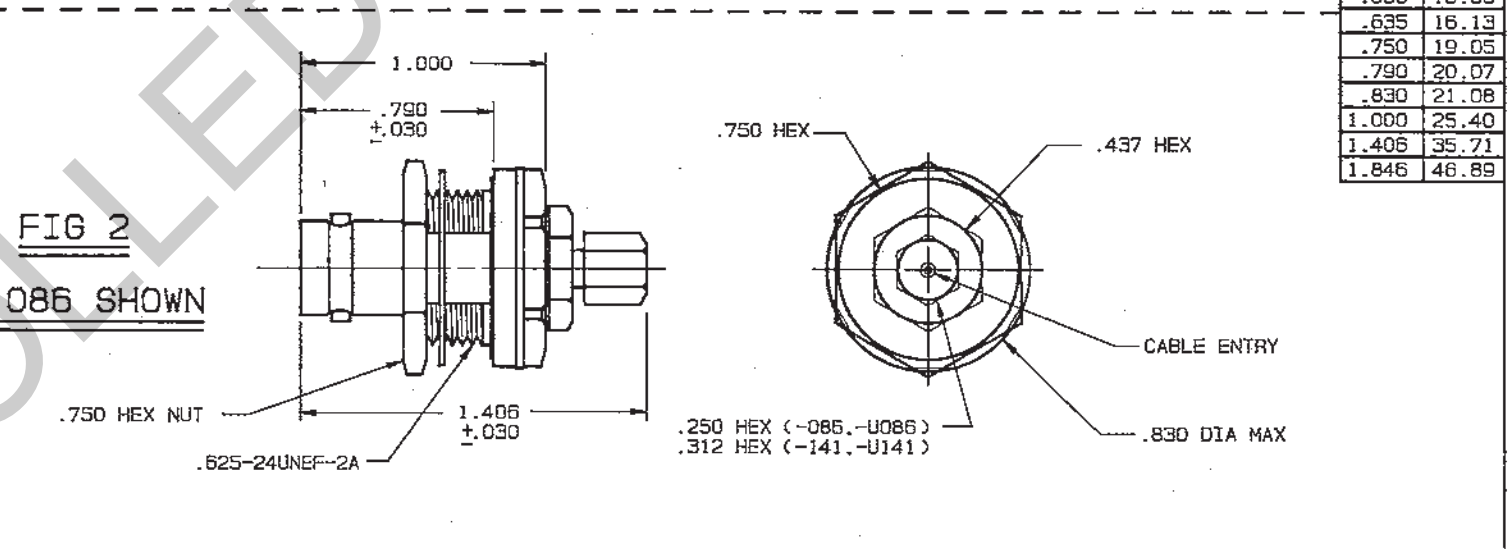


RED INDICATES ORIGINAL

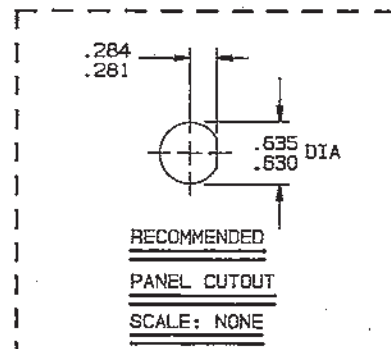
| DASH NO | FIG | CABLES ACCOMMODATED | ASSEMBLE PER |
|---------|----------------|---------------------------|--------------|
| -1 | 1.3 | RG-58 | TAI-101 |
| -U1 | | ESSEX 621-715 | |
| -2 | | RG-59 | |
| -U2 | | | |
| -2A | | BELDEN 8279 | |
| -U2A | | | |
| -2B | | W.E.CO. 730A | |
| -U2B | | | |
| -3 | | RG-223 | |
| -U3 | | | |
| -3A | | RG-55 | |
| -U3A | | | |
| -4 | | RG-122 | |
| -U4 | | BELDEN 8218 | |
| -5 | | RG-174 | |
| -U5 | | RG-187 | |
| -5A | | | |
| -U5A | | RG-196 | |
| -5B | | HEWLETT-PACKARD 8120-1107 | |
| -U5B | | | |
| -21 | | RG-303 | |
| -U21 | | | |
| -22 | | RG-180 | |
| -U22 | | | |
| -31 | | GRUMMAN GC875GP1 | |
| -U31 | | RG-187 DBL SHLD | |
| -34 | | BELDEN 8228 | |
| -U34 | | | |
| -36 | | 275-3991 MICRODOT | |
| -U36 | | 616-569 AMPEX | |
| -37 | | 810 RAYCHEM | |
| -U37 | | | |
| -41 | | RG-304 | |
| -U41 | 9248 BELDEN | | |
| -44 | BRAND-REX B749 | | |
| -U44 | GORE C06C032 | | |
| -53 | 89555 BELDEN | | |
| -U53 | | | |
| -63 | 734A, AT&T | | |
| -U63 | | | |
| -086 | 2 | RG-405 | TAI-130 |
| -U086 | | | |
| -141 | | RG-402 | |
| -U141 | | | |



| INCH | MM |
|-------|-------|
| .005 | 0.13 |
| .030 | 0.76 |
| .096 | 2.44 |
| .125 | 3.18 |
| .187 | 4.75 |
| .250 | 6.35 |
| .281 | 7.14 |
| .312 | 7.92 |
| .437 | 11.10 |
| .630 | 16.00 |
| .635 | 16.13 |
| .750 | 19.05 |
| .790 | 20.07 |
| .830 | 21.08 |
| 1.000 | 25.40 |
| 1.406 | 35.71 |
| 1.846 | 46.89 |



- IF BEND RELIEF SPRING REQUIRED (FIG 3) ADD SUFFIX "BR" TO MODEL NO (NOT AVAILABLE WITH CABLE GROUPS -63, -U63, -086, -U086, -141 & -U141)
- FEMALE TYPE BNC COAXIAL INSULATED BULKHEAD JACKS, BOTH 50 & 75 OHM VERSIONS
 - MAX PANEL THK .187
 - DASH NO DENOTES CABLE GROUP EXCEPT "U" PREFIX DENOTES 75 OHM VERSION
 - FINISH: TFS-1A (NICKEL)
 - ALL DIM ARE IN INCHES



| QTY | DESCRIPTION | PART NUMBER | ITEM |
|-----------|----------------------|-------------|------|
| 110-0002 | TOL UNLESS SPECIFIED | | |
| 105-0717 | .XX ± | | |
| 105-0623 | .XXX ± .005 | | |
| 305-0361 | XXXXX | | |
| 155-0393 | ANGLE | | |
| 108-1016 | ENGR | | |
| NEXT ASSY | APPR | | |

| | | | |
|-----------------|------|----------------|-------------|
| | | BJ26/UBJ26 | |
| RF connectivity | | BJ26BR/UBJ26BR | |
| DWN | DKC | 7-1-91 | MATERIAL |
| CHK | B.M. | 7-19-91 | CODE IDENT |
| ENGR | | | 14949 |
| APPR | JT | 7-22-91 | DRAWING NO. |
| | | | 1-0341 |
| | | | REV |
| | | | T |

| | | |
|-----------|---------------|--------------|
| SCALE 2/1 | DATE 10/13/89 | SHEET 1 OF 2 |
|-----------|---------------|--------------|