

Dialight

607 Series

LED Panel Mount Indicators for 7.2mm Mounting Hole w/ Optional Watertight Capability



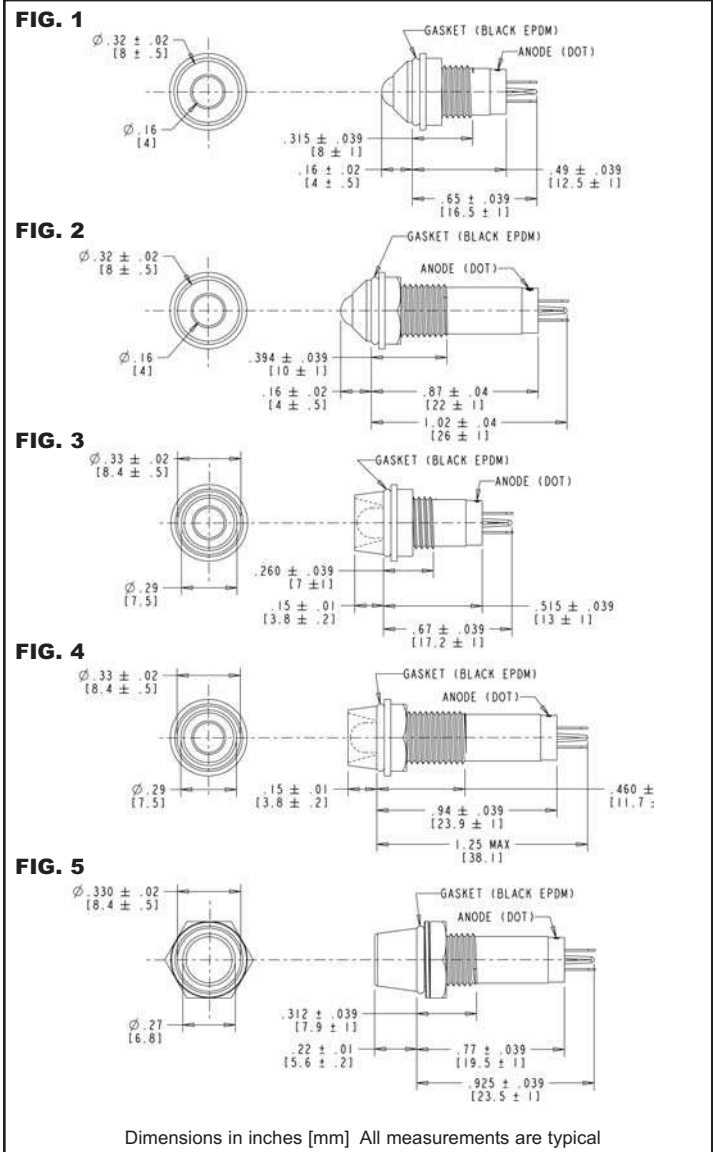
- ▲ Voltage requirements:
2 VDC (current limiting resistor required)
6, 12, 24 VDC (no resistor required)
- ▲ Electrical connection through solder terminals
- ▲ Mounting hole size: 0.283 inches (7.2 mm)
- ▲ Maximum panel thickness:
(see reverse side)
- ▲ Mounts with lock washer and nut
0.362 lbs/ft or 5 Kg/cm torque recommended

0.217 lbs/ft or 3 Kg/cm torque recommended (Figure 5 only)
- ▲ Operating Temperature : -30°C to +85°C
- ▲ Storage Temperature: -40°C to +85°C
- ▲ Housing Material:
Protruding & Recessed positions:
Chrome plated brass or
Internal Position:
Polycarbonate to match emitting color -
(Figure 5)
- ▲ Watertight Seal from front of panel meets
NEMA 4X/IP66

FEATURES / BENEFITS

- ▲ RoHS compliant*
- ▲ Long Life - typically 100K hours
- ▲ Lower Power consumption - uses up to 90% less energy than an incandescent indicator
- ▲ No heat generated
- ▲ Colors include red, green and yellow
- ▲ Front panel mounting
- ▲ Available Watertight Version: NEMA 4X/ IP66
- ▲ Chrome or plastic housing:
LED Positions: (See Figures below)
Protruding (Fig 1,2)
Recessed (Fig 3,4)
Internal (Fig 5)

SPECIFICATIONS



*Compliant with exemption 6c, lead used as an alloying element in brass (up to 4% by weight)

Dialight reserves the right to make changes at any time
in order to supply the best product possible.

Dialight Europe Ltd

Exning Road • Newmarket • Suffolk, United Kingdom, CB8 0AX
Tel :+44 (0) 1638 665161 • www.dialight.com



Dialight Corporation

1501 Route 34 South • Farmingdale, NJ 07727 USA
Tel: (1) 732-919-3119 • Fax: (1) 732-751-5778 • www.dialight.com



MDEL607X001_D

STANDARD VERSIONS

Part Number	Color	Voltage (VDC)	Intensity* TYP. (mcd)	LED Positions	Fig.	Panel Thickness
607-1112-110F	Red	2	22	Protuding	1	0.187" (4.75mm)
607-1212-110F	Green	2	50	Protuding	1	
607-1312-110F	Yellow	2	66	Protuding	1	
607-1112-120F	Red	6	22	Protuding	2	0.265" (6.75mm)
607-1212-120F	Green	6	50	Protuding	2	
607-1312-120F	Yellow	6	66	Protuding	2	
607-1112-130F	Red	12	22	Protuding	2	
607-1212-130F	Green	12	50	Protuding	2	
607-1312-130F	Yellow	12	66	Protuding	2	
607-2112-110F	Red	2	22	Recessed	3	0.136" (3.50mm)
607-2212-110F	Green	2	50	Recessed	3	
607-2312-110F	Yellow	2	66	Recessed	3	
607-2112-120F	Red	6	22	Recessed	4	0.336" (8.50mm)
607-2212-120F	Green	6	50	Recessed	4	
607-2312-120F	Yellow	6	66	Recessed	4	
607-2112-130F	Red	12	22	Recessed	4	
607-2212-130F	Green	12	50	Recessed	4	
607-2312-130F	Yellow	12	66	Recessed	4	
607-3132-120F	Red	6	20	Internal	5	0.187" (4.75mm)
607-3232-120F	Green	6	45	Internal	5	
607-3332-120F	Yellow	6	60	Internal	5	
607-3132-130F	Red	12	20	Internal	5	
607-3232-130F	Green	12	45	Internal	5	
607-3332-130F	Yellow	12	60	Internal	5	
607-3132-140F	Red	24	20	Internal	5	
607-3232-140F	Green	24	45	Internal	5	
607-3332-140F	Yellow	24	60	Internal	5	

WATERTIGHT VERSIONS

Part Number	Color	Voltage (VDC)	Intensity* TYP. (mcd)	LED Positions	Fig.	Panel Thickness
607-1112-310F	Red	2	22	Protuding	1	0.147" (3.75mm)
607-1212-310F	Green	2	50	Protuding	1	
607-1312-310F	Yellow	2	66	Protuding	1	
607-1112-320F	Red	6	22	Protuding	2	0.226" (5.75mm)
607-1212-320F	Green	6	50	Protuding	2	
607-1312-320F	Yellow	6	66	Protuding	2	
607-1112-330F	Red	12	22	Protuding	2	
607-1212-330F	Green	12	50	Protuding	2	
607-1312-330F	Yellow	12	66	Protuding	2	
607-2112-310F	Red	2	22	Recessed	3	0.096" (2.50mm)
607-2212-310F	Green	2	50	Recessed	3	
607-2312-310F	Yellow	2	66	Recessed	3	
607-2112-320F	Red	6	22	Recessed	4	0.296" (7.50mm)
607-2212-320F	Green	6	50	Recessed	4	
607-2312-320F	Yellow	6	66	Recessed	4	
607-2112-330F	Red	12	22	Recessed	4	
607-2212-330F	Green	12	50	Recessed	4	
607-2312-330F	Yellow	12	66	Recessed	4	
607-3132-320F	Red	6	20	Internal	5	0.147" (3.75mm)
607-3232-320F	Green	6	45	Internal	5	
607-3332-320F	Yellow	6	60	Internal	5	
607-3132-330F	Red	12	20	Internal	5	
607-3232-330F	Green	12	45	Internal	5	
607-3332-330F	Yellow	12	60	Internal	5	
607-3132-340F	Red	24	20	Internal	5	
607-3232-340F	Green	24	45	Internal	5	
607-3332-340F	Yellow	24	60	Internal	5	

*15 mA current