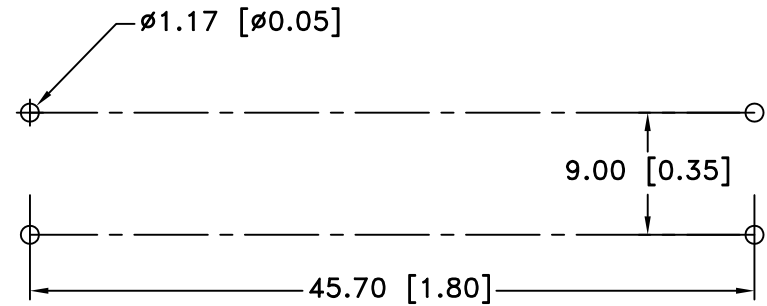
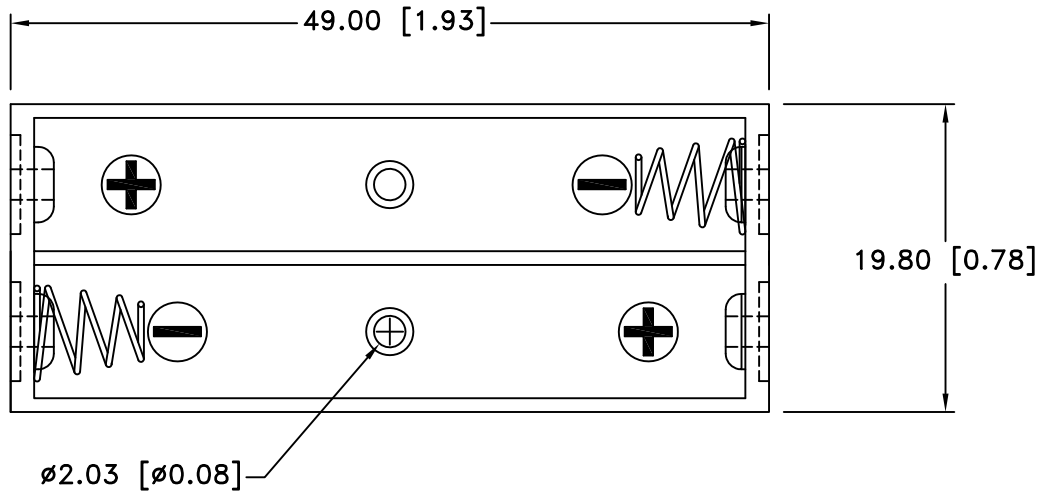
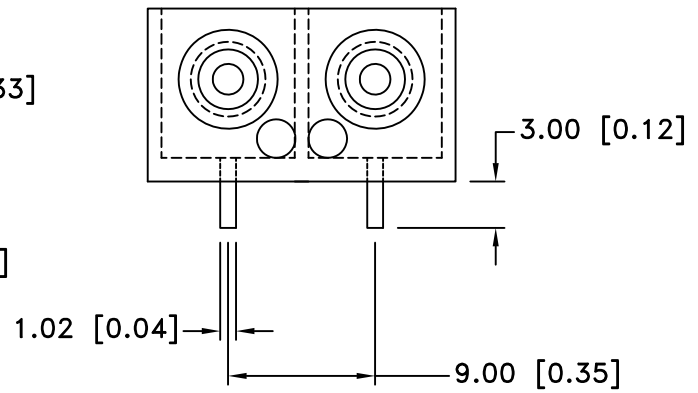
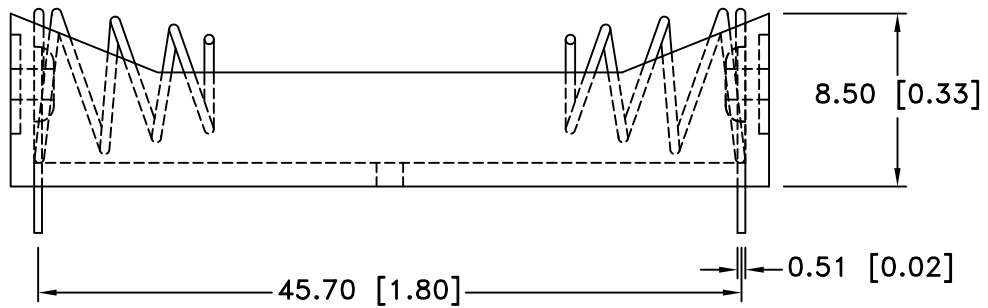


Date	SYM	REVISION RECORD	AUTH	DR.	CK.
05/23/14	A	UPDATED NOTES	T.B.	B.S.	




PCB LAYOUT



NOTES:

1. MATERIAL:

- HOUSING : BLACK ABS, UL94-HB
- PC PINS: STAINLESS STEEL 301, SPRING TEMPER, NICKEL PLATED
- RIVETS: BRASS ALLOY 260, NICKEL PLTD.
- SPRING: STAINLESS STEEL301, SPRING STEEL, NICKEL PLTD.
- ROHS 2 COMPLIANT

Tolerance (Except as noted)	 Memory Protection Devices, Inc 200 Broad Hollow Road, Farmingdale, New York 11735	Scale	Drawn By B.S.
			Approved By T.B.
decimal $\pm .5$ (.020)	Title TWO "AAAA" CELL HOLDER WITH PC PINS	Date 5/23/14	
Fractional $\pm .8$ (.030)		Drawing Number BE2AAAAPC	
Angular $\pm 3^\circ$			