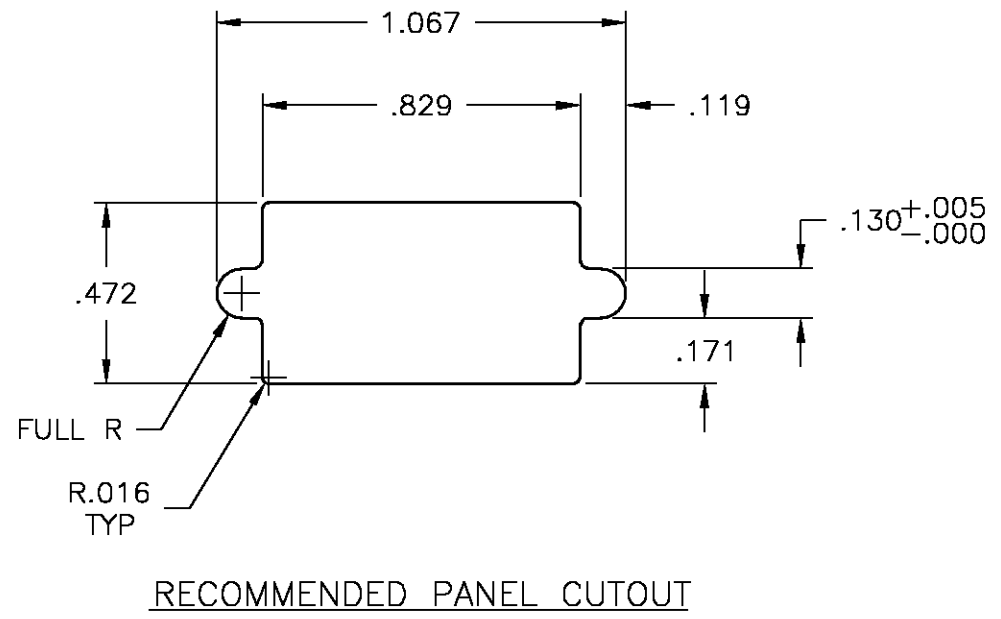
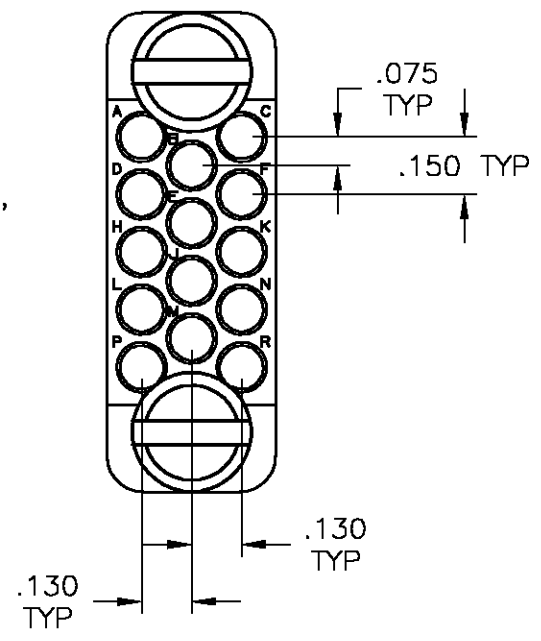
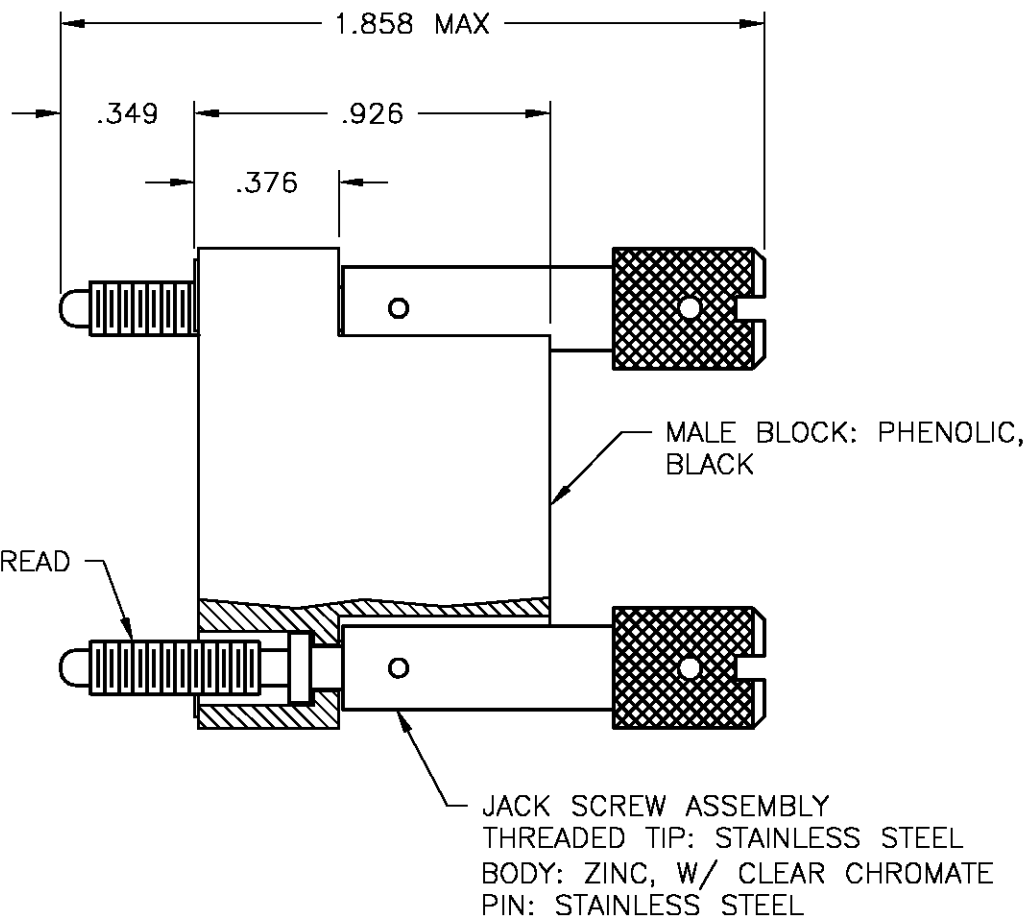
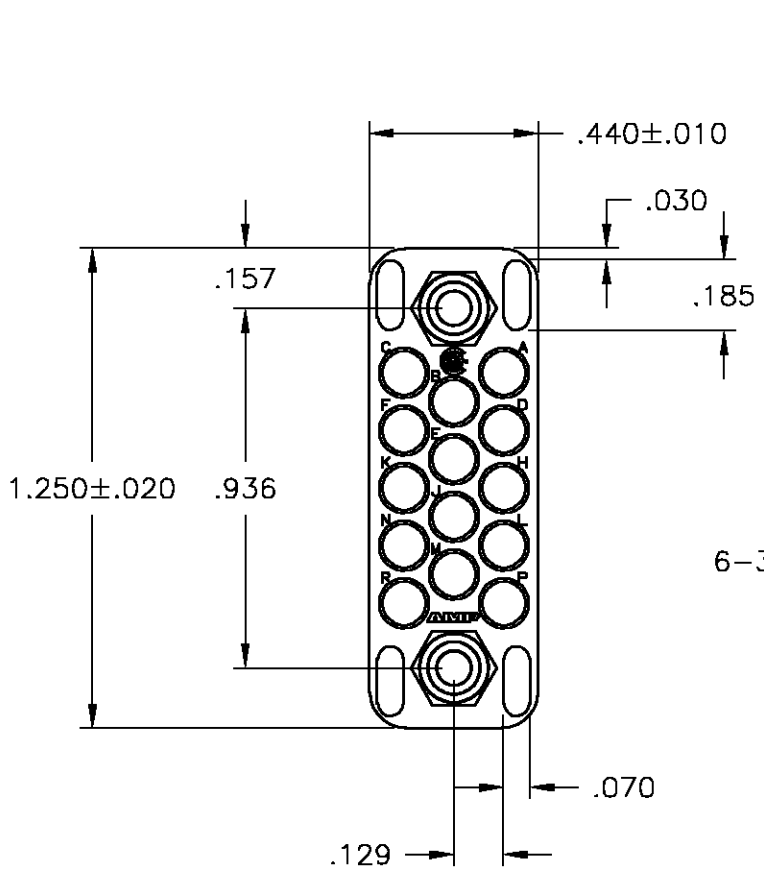


THIS DRAWING IS UNPUBLISHED. RELEASED FOR PUBLICATION  
 © COPYRIGHT BY TYCO ELECTRONICS CORPORATION. ALL RIGHTS RESERVED.

LOC	DIST	REVISIONS					
FT	0	P	LTR	DESCRIPTION	DATE	DWN	APVD
			A	REVISED PER 0G3B-0599-04	7/8/04	SS	GS

NOTES:

- MATES WITH BLOCK 201298 AND ACCOMODATES TYPE II, TYPE III+ OR TYPE VI #16 PIN OR SOCKET CONTACTS.



1776087-1  
 PART NO.

THIS DRAWING IS A CONTROLLED DOCUMENT.		DWN S SCHLEGEL 18MAY04	Tyco Electronics Corporation Harrisburg, Pa 17105-3608		
DIMENSIONS: INCHES		CHK G STEINHAUER 5/18/04			
TOLERANCES UNLESS OTHERWISE SPECIFIED:		APVD G STEINHAUER 5/18/04	NAME BLOCK MALE, 14 POS. W/ JACK SCREWS M SERIES		
0 PLC ± - 1 PLC ± - 2 PLC ± - 3 PLC ± - 4 PLC ± - ANGLES ± -		PRODUCT SPEC -	RESTRICTED TO -		
MATERIAL -		APPLICATION SPEC -	SIZE A3	CAGE CODE 00779	DRAWING NO C-1776087
FINISH -		WEIGHT -	CUSTOMER DRAWING		SCALE 2:1
			SHEET 1 OF 1	REV A	