

Peak Emission Wavelength: 770nm

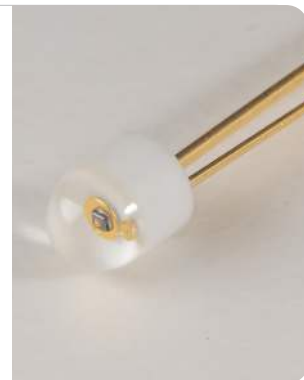
The 770nm near infrared emitter series is designed for applications requiring high output and precise optical / mechanical axis alignment. Custom package solutions and sorting are available.

FEATURES

- > Ceramic Package
- > High Output Power
- > Compact
- > Wide Viewing Angle

APPLICATIONS

- > Display
- > Indicators
- > Light Source for Sensor
- > Optical Switches



Absolute Maximum Ratings (Ta=25°C)

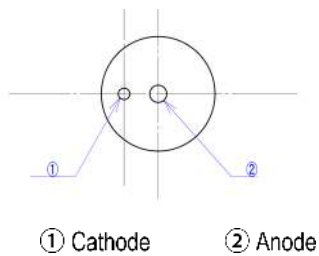
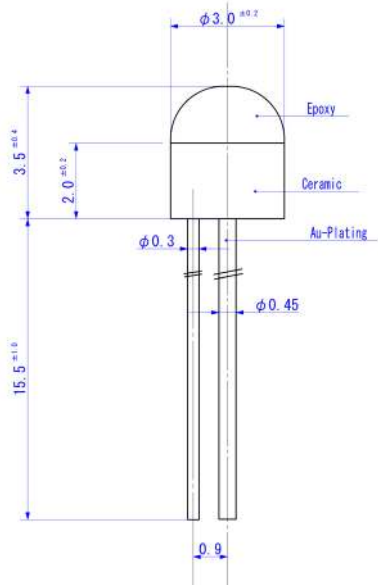


| ITEMS | SYMBOL | RATINGS | UNIT |
|------------------------------|--------|------------|------|
| Forward Current (DC) | IF | 30 | mA |
| Forward Current (Pulse)*1 | IFP | 0.3 | A |
| Reverse Voltage | VR | 5 | V |
| Power Dissipation | PD | 60 | mW |
| Operating Temperature Range | Topr | -20 ~ +85 | °C |
| Storage Temperature Range | Tstg | -30 ~ +100 | °C |
| Junction Temperature | Tj | 100 | °C |
| Lead Soldering Temperature*2 | Tls | 260 | °C |

*1: Tw=10μsec, T=10msec. *2: Time 5 Sec max, Position: Up to 3mm from the body.

Electrical & Optical Characteristics (Ta = 25°C)

| ITEMS | SYMBOL | CONDITIONS | MIN | TYP | MAX | UNIT |
|---------------------------|--------|------------|-----|------|------|------|
| Power Output | PO | IF=20mA | 3.0 | 5.5 | -- | mW |
| Forward Voltage | VF | IF=20mA | -- | 1.55 | 1.95 | V |
| Reverse Current | IR | VR=5V | -- | -- | 10 | μA |
| Peak Emission Wavelength | λp | IF=20mA | -- | 770 | -- | nm |
| Spectral Line Half Width | Δλ | IF=20mA | -- | 25 | -- | nm |
| Half Intensity Beam Angle | Θ | IF=20mA | -- | ±80 | -- | deg |



Unit: mm, Tolerance: ± 0.2

The information contained herein is subject to change without notice.

2011-09-11