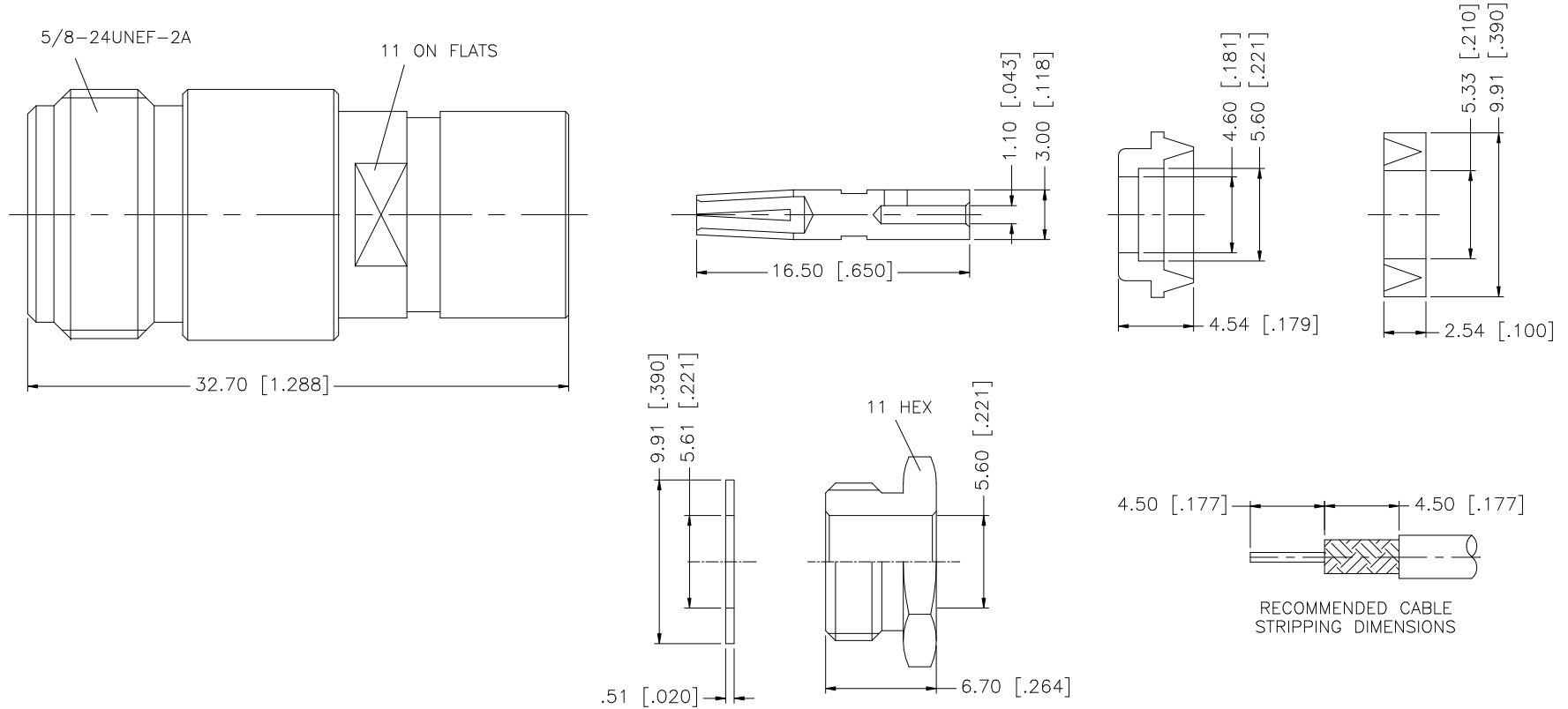


REV.	DATE	DESCRIPTION
NC	07/05/06	INITIAL RELEASE



DESCRIPTION	MATERIAL	FINISH	QTY	UNLESS OTHERWISE SPECIFIED DIMENSIONS ARE IN MILLIMETERS. DIMENSIONS IN [] ARE IN INCHES AND FOR CUSTOMER REFERENCE ONLY.	APPROVALS	DATE	Amphenol Connex								
8				UNLESS OTHERWISE SPECIFIED DIMENSIONS ARE IN MILLIMETERS. DIMENSIONS IN [] ARE IN INCHES AND FOR CUSTOMER REFERENCE ONLY. UNLESS OTHERWISE SPECIFIED TOLERANCES FOR MILLIMETERS ARE: 0.5 - 8mm ± 0.20mm 8 - 30mm ± 0.40mm 30 - 120mm ± 0.50mm UNLESS OTHERWISE SPECIFIED TOLERANCES FOR INCHES ARE: .020 - .315 = ± 0.007" .315 - 1.180 = ± 0.015" 1.180 - 4.724 = ± 0.020" DO NOT SCALE DRAWING			N CLAMP JACK (FOR RG-58C/U, 58/U, 142A/U, 223/U CABLE)								
7	HEX NUT	BRASS	NEXCOTE		1	DRAWN				G.R.S.	07/05/06				
6	WASHER	BRASS	NEXCOTE		1	CHECKED			PART DESCRIPTION						
5	GASKET	SILICONE	RED		1	ISSUED			N CLAMP JACK						
4	BRAID CLAMP	BRASS	NEXCOTE		1	SHEET	1 OF 1		(FOR RG-58C/U, 58/U, 142A/U, 223/U CABLE)						
3	CONTACT PIN	PHOS. BRONZE	GOLD		1				PART NO.						
2	INSULATOR	TEFLON	NATURAL		1				172114						
1	BODY	BRASS	NEXCOTE		1	CAD FILE	C:/172/172114.DWG		DWG. NO.	172114.DWG	REV.	NC	SIZE	A	SCALE