

F

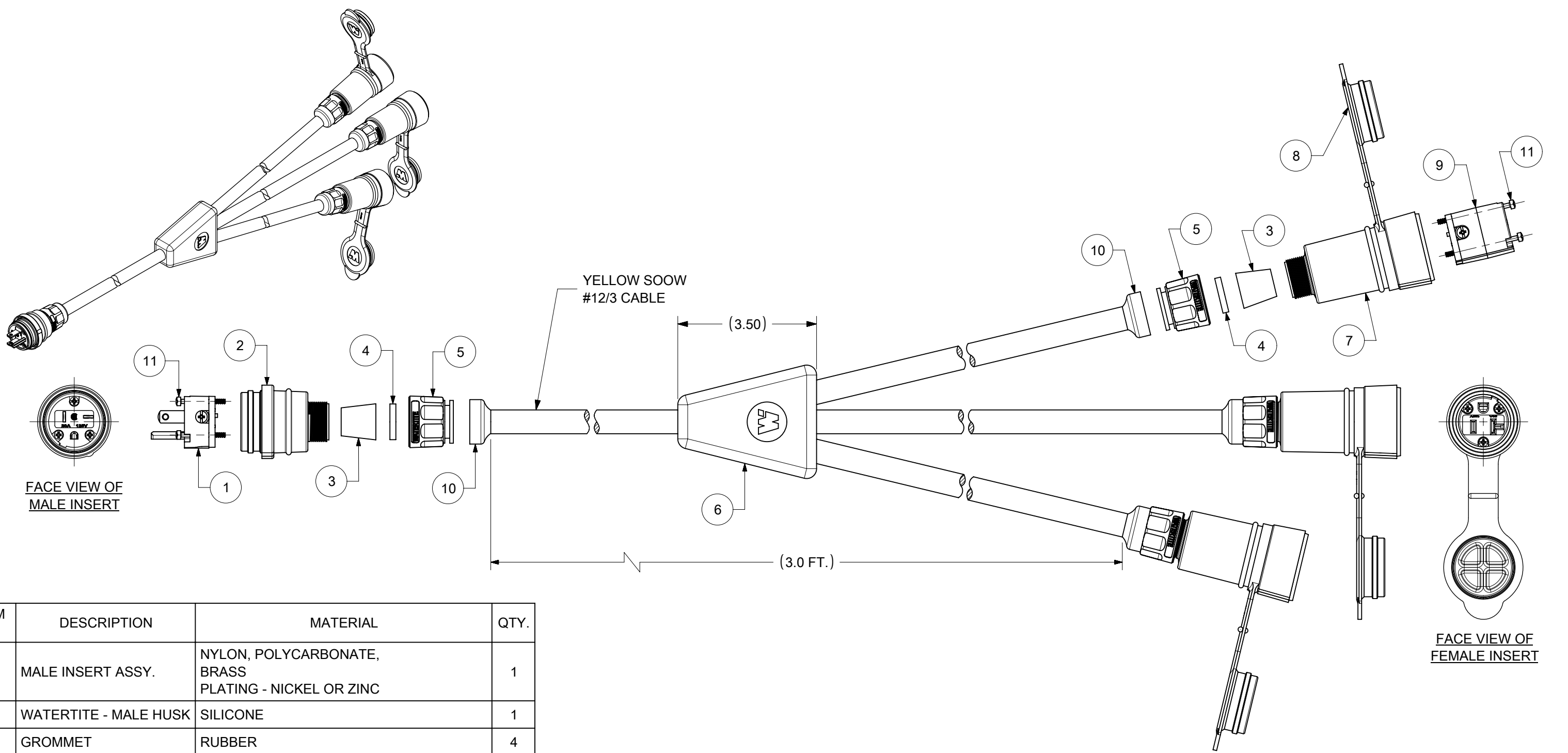
E

D

C

B

A



FACE VIEW OF MALE INSERT

FACE VIEW OF FEMALE INSERT

ITEM NO.	DESCRIPTION	MATERIAL	QTY.
1	MALE INSERT ASSY.	NYLON, POLYCARBONATE, BRASS PLATING - NICKEL OR ZINC	1
2	WATERTITE - MALE HUSK	SILICONE	1
3	GROMMET	RUBBER	4
4	FRICTION RING	NYLON	4
5	COMPRESSION NUT YELLOW	NYLON	4
6	MOLDED "W" - CORDSET	JACKET: RUBBER; CONDUCTOR: COPPER	1
7	WATERTITE - FEMALE HUSK	SILICONE	3
8	CLOSURE CAP YELLOW	SILICONE	3
9	FEMALE INSERT ASSY.	NYLON, POLYCARBONATE, BRASS PLATING - NICKEL OR ZINC	3
10	CABLE GLOVE	SILICONE	4
11	RETAINING SCREW	STAINLESS STEEL	12

MATERIAL NO.	ENGINEERING NO.	DESCRIPTION
1301540043	14W33-W	MOLDED W-SPLICE (1)14W33 & (3)15W33

THIS DRAWING CONTAINS INFORMATION THAT IS PROPRIETARY TO MOLEX ELECTRONIC TECHNOLOGIES, LLC AND SHOULD NOT BE USED WITHOUT WRITTEN PERMISSION DIMENSION UNITS: INCH SCALE: NTS CURRENT REV DESC: NEW RELEASE		<b>molex</b> MOLDED W-SPLICE WITH WATERTITE PLUG AND CONNECTOR PRODUCT CUSTOMER DRAWING	
EC NO: 621531 DRWN: PPURSUTANDEL 2019/07/19 CHK'D: PPURSUTANDEL 2019/12/04 APPR: HKNEELAND 2020/02/05			
INITIAL REVISION: DRWN: PPURSUTANDEL 2019/07/19 APPR: HKNEELAND 2020/02/05		MATERIAL NUMBER: SEE CHART CUSTOMER: GENERAL MARKET SHEET NUMBER: 1 OF 1	
DRAFT WHERE APPLICABLE MUST REMAIN WITHIN DIMENSIONS THIRD ANGLE PROJECTION DRAWING: B-SIZE SERIES: 130154			