

PART No. MATRIX

E 6 6 E 0 6 0 2 1 M X X X X

E=ETHERNET/
Ethernet

HEADS:
6 = RJ45

HEADS STYLE:
060 = MALE STR / MALE STR

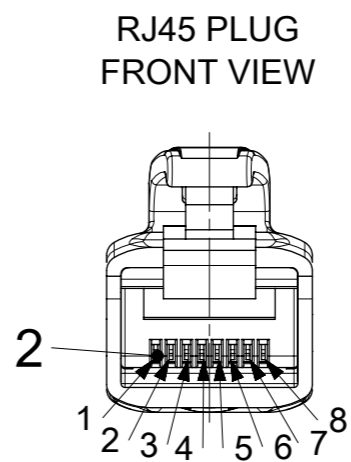
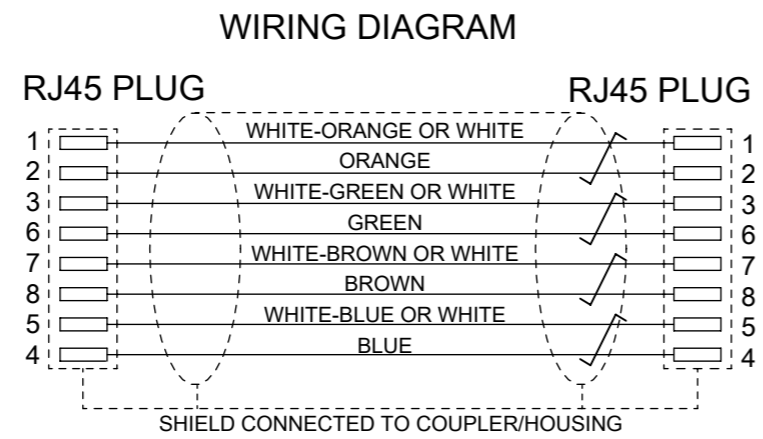
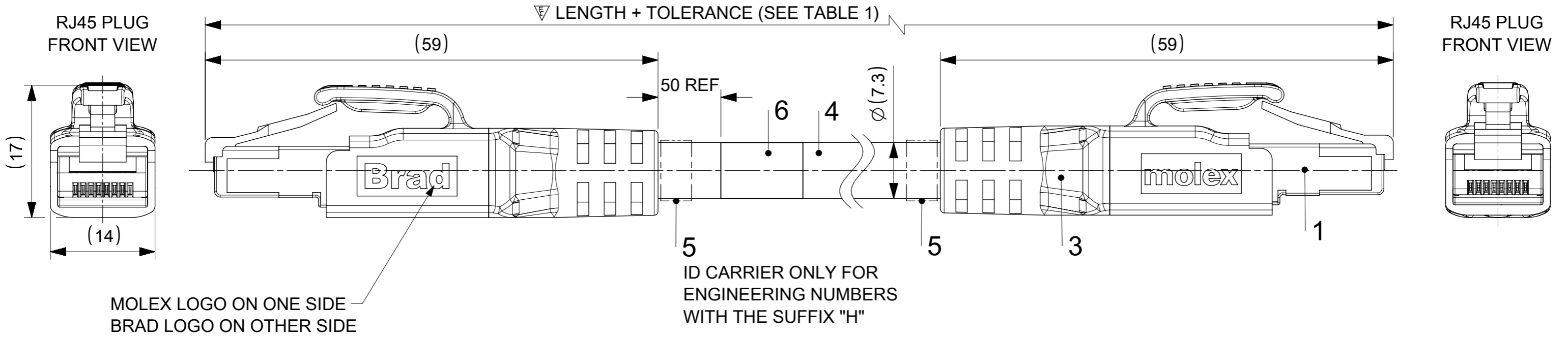
CABLE TYPE :
CABLE 21

UNITS:
M= METER
T= 10xMETER

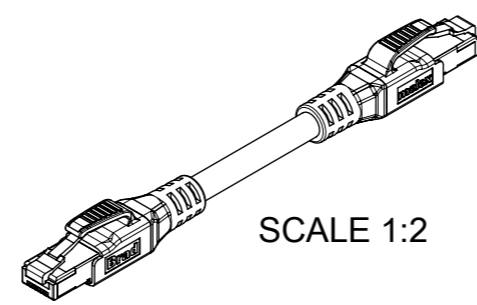
LENGTH EXAMPLES:
005=0.5 m
010=1 m
150=15 m
T100=100 m

H= 2 PCS. OF I/D Carrier

WIRING TYPE:
E=8 Pole (STRAIGHT WIRED)



BILL OF MATERIAL				
ITEM	QTY	DESCRIPTION	MATERIAL	FINISH/COLOR
1	2	PLUG RJ45 PLUG	-	-
2	16	CONTACT RJ45	PHOSPHOR BRONZE	SELECTIVE Au PLATING
3	-	OVERMOLD	TPU	BLACK
4	1	CABLE 4X(2X AWG26/7) CAT 7	TPE	GREEN
5	SEE PN MATRIX	ID CARRIER	PVC	TRANSPARENT
6	1	LABEL 2.0X1.75	VINYL	YELLOW



FUNCTIONAL SYMBOLS		THIS DRAWING CONTAINS INFORMATION THAT IS PROPRIETARY TO MOLEX ELECTRONIC TECHNOLOGIES, LLC AND SHOULD NOT BE USED WITHOUT WRITTEN PERMISSION		CURRENT REV DESC: NOTE CHANGED	
∇A = 0	mm	SCALE	2:1		
∇E = 1	GENERAL TOLERANCES (UNLESS SPECIFIED)				
∇F = 0	ANGULAR TOL ± 1.0°				
DIVISIONAL SYMBOLS		4 PLACES ±		EC NO: 692351	
		3 PLACES ±		DRWN: ARPITT 2022/01/20	
		2 PLACES ± 0.05		CHK'D: RSILLER 2022/01/25	
		1 PLACE ± 0.3		APPR: RSILLER 2022/01/25	
		0 PLACES ± 0.5		INITIAL REVISION:	
DRAFT WHERE APPLICABLE MUST REMAIN WITHIN DIMENSIONS		THIRD ANGLE PROJECTION		DRWN: MDHARMANTI 2019/11/25	
		DRAWING		APPR: RSILLER 2021/03/16	
		SERIES		DOCUMENT NUMBER	
		A3-SIZE		1203410911	
		MATERIAL NUMBER		DOC TYPE DOC PART REVISION	
		SEE TABLE 1		PSD 000 A3	
		CUSTOMER		SHEET NUMBER	
		GENERAL MARKET		1 OF 2	

TABLE 1

MOLEX P/N	ENGINEERING NO.	DESCRIPTION	LENGTH (mm)
1203410924	E66E06021M002	RJ45 CAT6A ST/ST TPE GREEN 0.2M	200
1203410925	E66E06021M005	RJ45 CAT6A ST/ST TPE GREEN 0.5M	500
1203410911	E66E06021M010	RJ45 CAT6A ST/ST TPE GREEN 1M	1000
1203410926	E66E06021M020	RJ45 CAT6A ST/ST TPE GREEN 2M	2000
1203410927	E66E06021M030	RJ45 CAT6A ST/ST TPE GREEN 3M	3000
1203410928	E66E06021M040	RJ45 CAT6A ST/ST TPE GREEN 4M	4000
1203410929	E66E06021M050	RJ45 CAT6A ST/ST TPE GREEN 5M	5000
1203410930	E66E06021M100	RJ45 CAT6A ST/ST TPE GREEN 10M	10000
1203410931	E66E06021M150	RJ45 CAT6A ST/ST TPE GREEN 15M	15000
1203410932	E66E06021M200	RJ45 CAT6A ST/ST TPE GREEN 20M	20000
1203410933	E66E06021M300	RJ45 CAT6A ST/ST TPE GREEN 30M	30000
1203410912	E66E06021M360	RJ45 CAT6A ST/ST TPE GREEN 36M	36000
WITH ID CARRIER			
1203410995	E66E06021M010H	RJ45 CAT6A ST/ST TPE GREEN 1M ID	1000
1203410996	E66E06021M020H	RJ45 CAT6A ST/ST TPE GREEN 2M ID	2000
1203411006	E66E06021M030H	RJ45 CAT6A ST/ST TPE GREEN 3M ID	3000
1203411014	E66E06021M050H	RJ45 CAT6A ST/ST TPE GREEN 5M ID	5000
1203410997	E66E06021M100H	RJ45 CAT6A ST/ST TPE GREEN 10M ID	10000
1203410998	E66E06021M250H	RJ45 CAT6A ST/ST TPE GREEN 25M ID	25000
1203411051	E66E06021M040H	RJ45 CAT6A ST/ST TPE GREEN 4M ID	4000
1203411052	E66E06021M060H	RJ45 CAT6A ST/ST TPE GREEN 6M ID	6000
1203411053	E66E06021M070H	RJ45 CAT6A ST/ST TPE GREEN 7M ID	7000
1203411054	E66E06021M080H	RJ45 CAT6A ST/ST TPE GREEN 8M ID	8000
1203411055	E66E06021M120H	RJ45 CAT6A ST/ST TPE GREEN 12M ID	12000
1203411056	E66E06021M150H	RJ45 CAT6A ST/ST TPE GREEN 15M ID	15000
1203411057	E66E06021M200H	RJ45 CAT6A ST/ST TPE GREEN 20M ID	20000
1203411058	E66E06021M300H	RJ45 CAT6A ST/ST TPE GREEN 30M ID	30000
1203411059	E66E06021M350H	RJ45 CAT6A ST/ST TPE GREEN 35M ID	35000
1203411060	E66E06021M400H	RJ45 CAT6A ST/ST TPE GREEN 40M ID	40000
1203411061	E66E06021M450H	RJ45 CAT6A ST/ST TPE GREEN 45M ID	45000
1203411062	E66E06021M500H	RJ45 CAT6A ST/ST TPE GREEN 50M ID	50000
1203411063	E66E06021M550H	RJ45 CAT6A ST/ST TPE GREEN 55M ID	55000
1203411064	E66E06021M600H	RJ45 CAT6A ST/ST TPE GREEN 60M ID	60000
1203411065	E66E06021M650H	RJ45 CAT6A ST/ST TPE GREEN 65M ID	65000
1203411066	E66E06021M700H	RJ45 CAT6A ST/ST TPE GREEN 70M ID	70000
1203411067	E66E06021M750H	RJ45 CAT6A ST/ST TPE GREEN 75M ID	75000
1203411068	E66E06021M800H	RJ45 CAT6A ST/ST TPE GREEN 80M ID	80000
1203411069	E66E06021M850H	RJ45 CAT6A ST/ST TPE GREEN 85M ID	85000

NOTES:
 VOLTAGE RATING: 30 V A.C. OR 42 V D.C.
 CURRENT RATING: 0.5 A
 TEMPERATURE RATING:
 STATIC: -40 °C TO 80 °C
 DYNAMIC: -25 °C TO 80 °C
 IP RATING: IP 20
 TRANSMISSION CHARACTERISTICS ACCORDING TO ISO/IEC 11801 CLASS E_A CHANNEL,
 WITH INSERTION LOSS BEING IGNORED FOR CABLE LENGTHS <1 m OR >65 m
 PACKAGING: CORDSETS ARE PACKED IN A POLYBAG

CABLE LENGTH TOLERANCES

LENGTH	TOLERANCE
0 m - 1 m	+40 mm
>1 m - 5 m	+60 mm
>5 m - 10 m	+80 mm
>10 m - 20 m	+140 mm
>20 m - 30 m	+160 mm
>30 m	+1% length

FUNCTIONAL SYMBOLS √A = 0 √E = 0 √P = 0	THIS DRAWING CONTAINS INFORMATION THAT IS PROPRIETARY TO MOLEX ELECTRONIC TECHNOLOGIES, LLC AND SHOULD NOT BE USED WITHOUT WRITTEN PERMISSION		CURRENT REV DESC: NOTE CHANGED	
	DIMENSION UNITS mm	SCALE 1:1		
DIVISIONAL SYMBOLS	GENERAL TOLERANCES (UNLESS SPECIFIED)		EC NO: 692351	
	ANGULAR TOL ± 1.0 °	4 PLACES ±	DRWN: ARPITT	2022/01/20
	3 PLACES ±	CHK'D: RSILLER	2022/01/25	
	2 PLACES ± 0.05	APPR: RSILLER	2022/01/25	
	1 PLACE ± 0.3	INITIAL REVISION:		
	0 PLACES ± 0.5	DRWN: MDHARMANTI	2019/11/25	
DRAFT WHERE APPLICABLE MUST REMAIN WITHIN DIMENSIONS		APPR: RSILLER	2021/03/16	
THIRD ANGLE PROJECTION		DRAWING	SERIES	MATERIAL NUMBER
		A3-SIZE	120341	SEE TABLE 1
		CUSTOMER	DOCUMENT NUMBER	DOC TYPE
		GENERAL MARKET	1203410911	PSD
			DOC PART	REVISION
			000	A3
			SHEET NUMBER	
			2 OF 2	