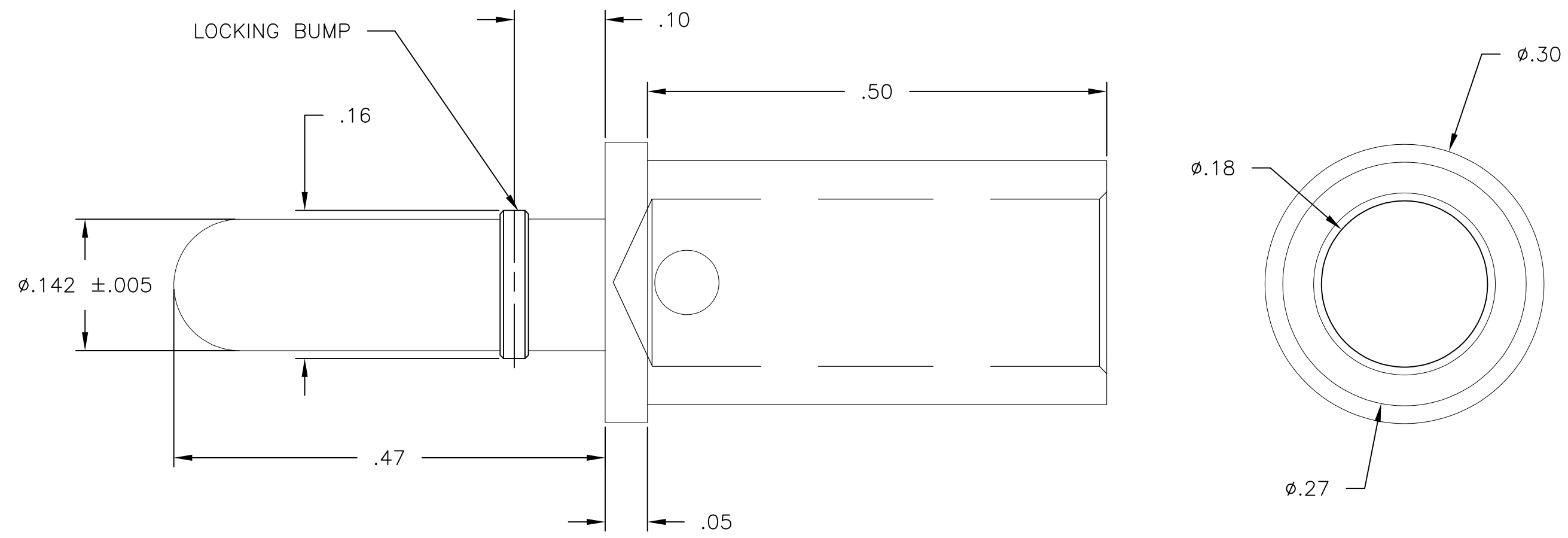


THIS DRAWING IS UNPUBLISHED. RELEASED FOR PUBLICATION
 © COPYRIGHT - By - ALL RIGHTS RESERVED.

LOC	DIST	REVISIONS					
GP	00	P	LTR	DESCRIPTION	DATE	DWN	APVD
			C	REV PER ECO-11-007264	14APR2011	RG	DO



- 4. FINISH: SILVER PLATE .00200 MIN THK. OVER NICKEL .000040 MIN THK.
- 3. MATERIAL: COPPER ALLOY
- 2. ITEMS PROVIDED TO THIS SPECIFICATION SHALL BE IDENTIFIED ON CONTAINER WITH THE FOLLOWING INFORMATION PART NUMBER AND DATE CODE OF MANUFACTURE.
- 1. PART NUMBER CHANGES AND/OR DESIGN CHANGES AFFECTING ITEM INTERCHANGEABILITY REQUIRE PRIOR TYCO APPROVAL AND AUTHORIZATION BY REVISION TO THIS DRAWING.

1766160-1
PART NUMBER

THIS DRAWING IS A CONTROLLED DOCUMENT.		DWN	10JAN2011	TE Connectivity CONTACT, ICCON LOCKING PIN SIZE No.8 WITH No.8 CRIMP BARREL				
DIMENSIONS: INCHES		CHK	10JAN2011					
TOLERANCES UNLESS OTHERWISE SPECIFIED:		APVD	10JAN2011					
0 PLC ± - 1 PLC ± - 2 PLC ± - 3 PLC ± .020 4 PLC ± - ANGLES ± .5		PRODUCT SPEC	NAME					
MATERIAL		FINISH		APPLICATION SPEC	SIZE	CAGE CODE	DRAWING NO	RESTRICTED TO
-		-		WEIGHT	A3 00779		C-1766160	-
CUSTOMER DRAWING				SCALE	8:1	SHEET	1 OF 1	REV
				C				