

# ARCA 203015 No MP



Sample image

**Order symbol:** ARCA 203015 No MP

**Product nbr:** 8120020N

**Description:** Cabinet. PC

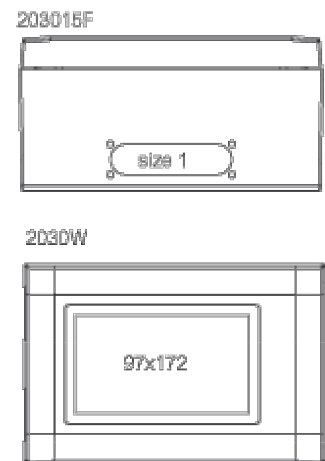
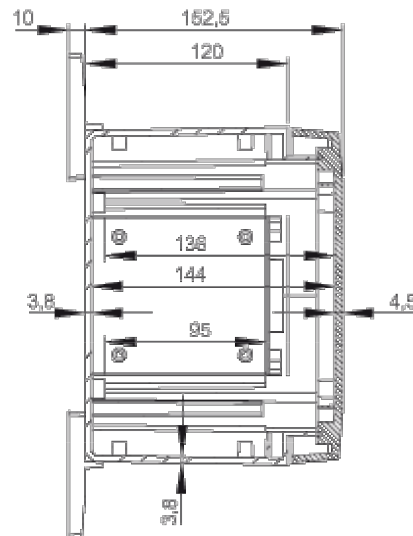
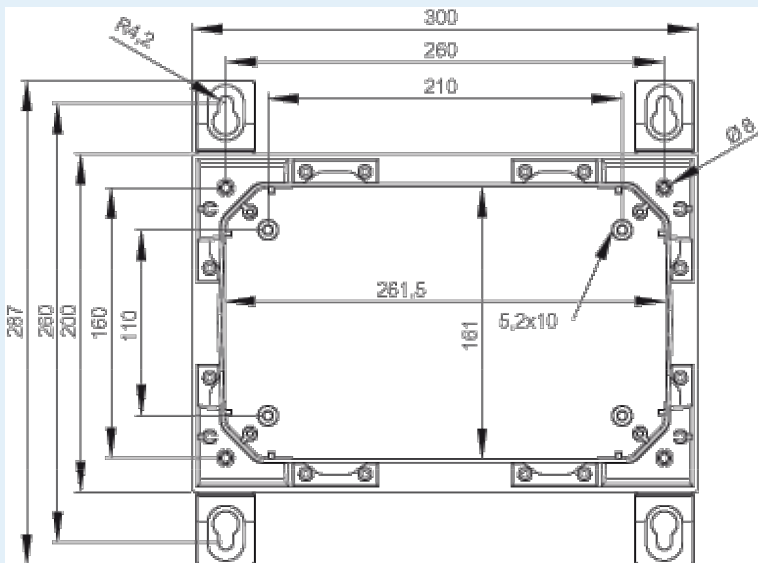
**Remarks:** Grey cover. 1-point locking. hinges on the short side

**EAN:** 6418074089403

**El. number:**

- Finland:
- Denmark:
- Sweden:

**Including:** Cabinet base. door with PUR gasket. 3mm double bit lock(s) with key. S versions with swinghandle 2-point locking system. Door guide included.



Dimensions:	Height	Width	Depth
mm:	200	300	150
inch:	7.87	11.81	6.22

## Materials:

Material:	Polycarbonate
Base colour:	RAL 7035 -light grey

## Accessories:

MPMP ARCA 3020	Mounting plate multiperforated (250x150x2 mm - $\varnothing$ 3.6 mm) (250 x 150 x 2)
IDS ARCA 2030	Inner door set (185 x 285 x 35)
MPP ARCA 2030	Mounting plate perforated (250x150x2 mm - 26x11 mm) (150 x 250 x 2)
SBK ARCA 20	Support bar kit

Cover colour: RAL 7035 -light grey

Gasket material: Polyurethane

**Temperatures:**

Temperature °C (short term):: -40 ... 120

Temperature °C (continuous): -40 ... 80

Temperature °F (short term): -40 ... 250

Temperature °F (continuous): -40 ... 175

(140 x 40 x 30)

MPS ARCA 3020 Mounting plate (250x150x2 mm)  
(250 x 150 x 2)

SBK ARCA 30 Support bar kit  
(235 x 40 x 30)

DRS ARCA 203015 DIN rail frame set  
(285 x 185 x 35)

RCS ARCA 2030 Rain canopy set for size 2030  
(20 x 300 x 30)

PMK ARCA 30 PoleMounting kit. for pole ø100-300mm  
(385 x 285 x 35)

MPX ARCA 3020 Mounting plate (250x150 mm)  
(250 x 150 x 5)

**Rating:**

Ingress protection (EN 60529): IP66;

Impact Resistance (EN 62262): IK10;

Electrical insulation: Totally insulated

Halogen free (DIN/VDE 0472, Part 815): 1

UV resistance: UL 508

Flammability Rating: UL 94 5VA

Glow Wire Test (IEC 695-2-1) °C: 960 °C

NEMA Class NEMA 1, 4, 4X, 12 and 13

**Certificates:**

Certificate FI 40467