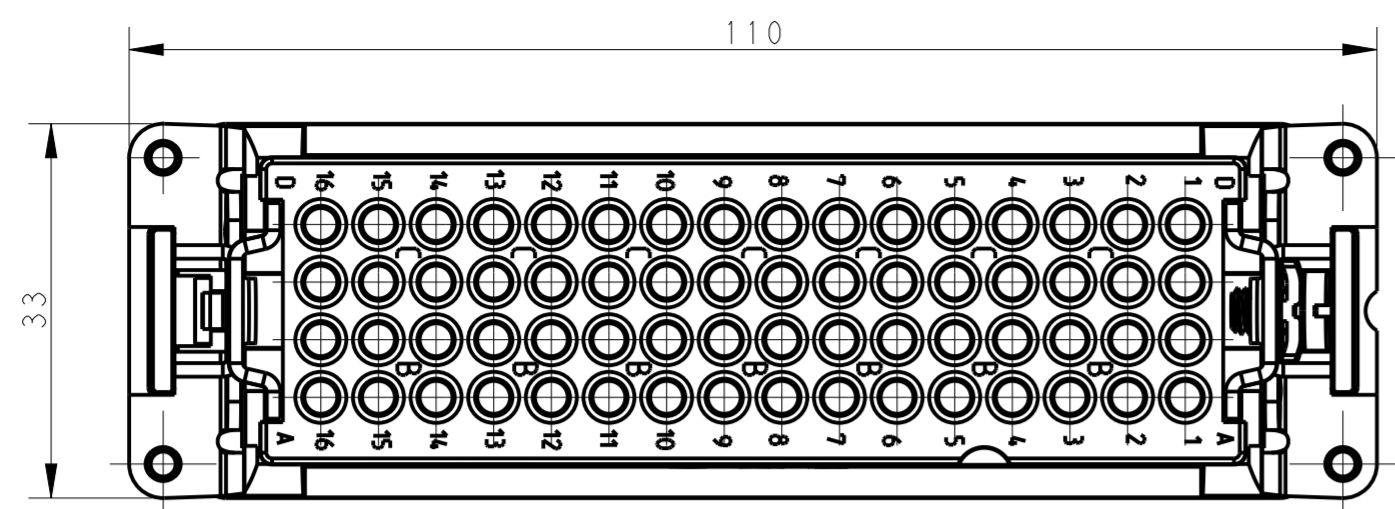
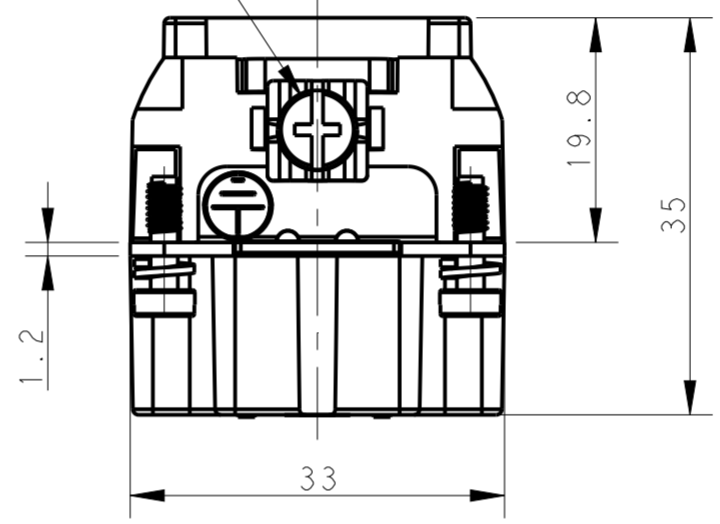
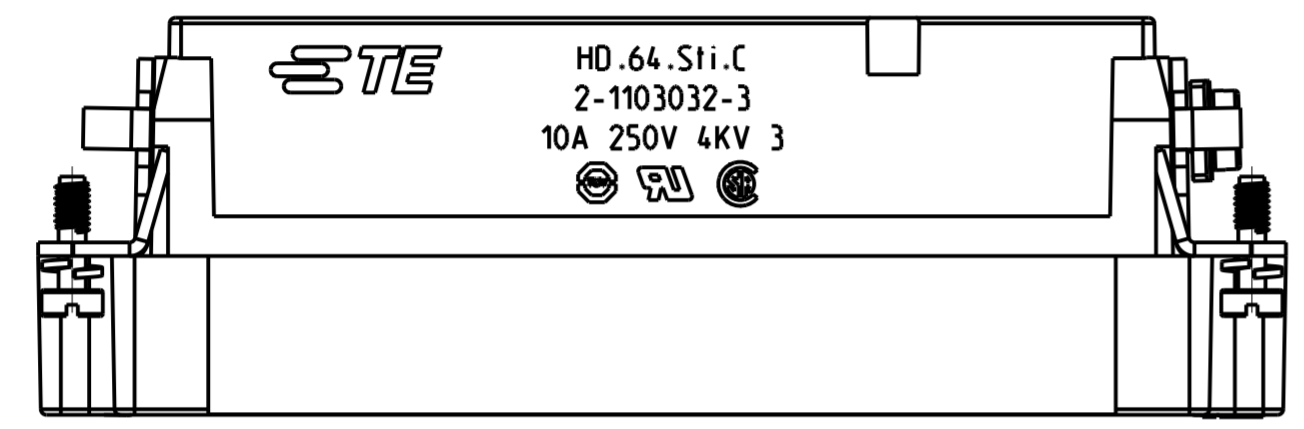


© 2020 TE Connectivity. All Rights Reserved.

REVISIONS					
P	LTR	DESCRIPTION	DATE	DWN	APVD
C		ECR-20-005011	06APR2020	QY	JB
D		ECR-20-007704	03JUN2020	QY	JB
D1		ECR-20-016724	25NOV2020	QY	JB



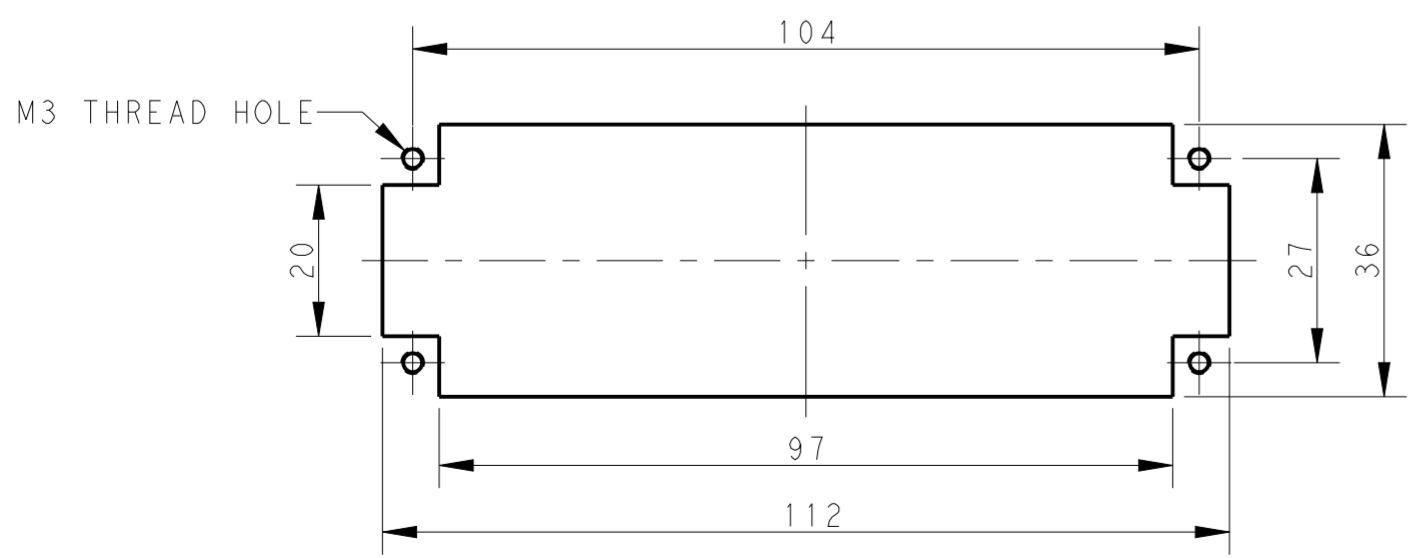
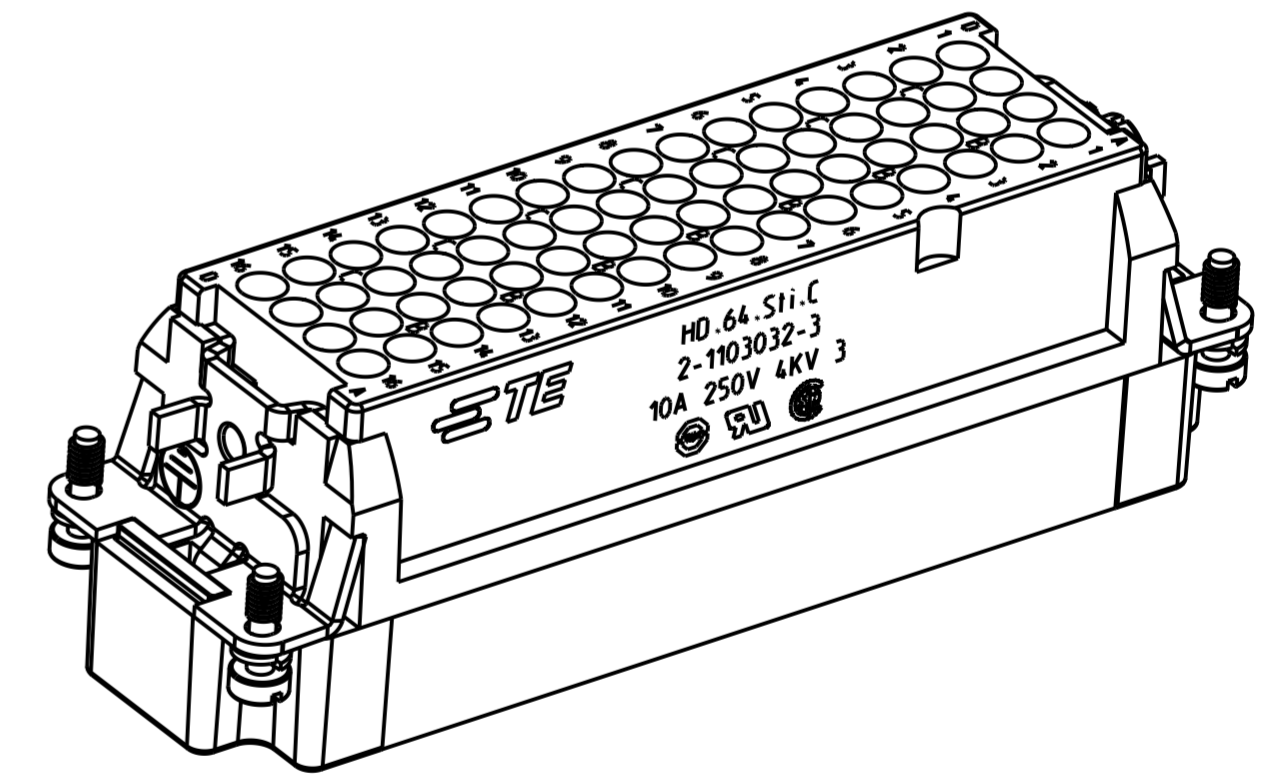
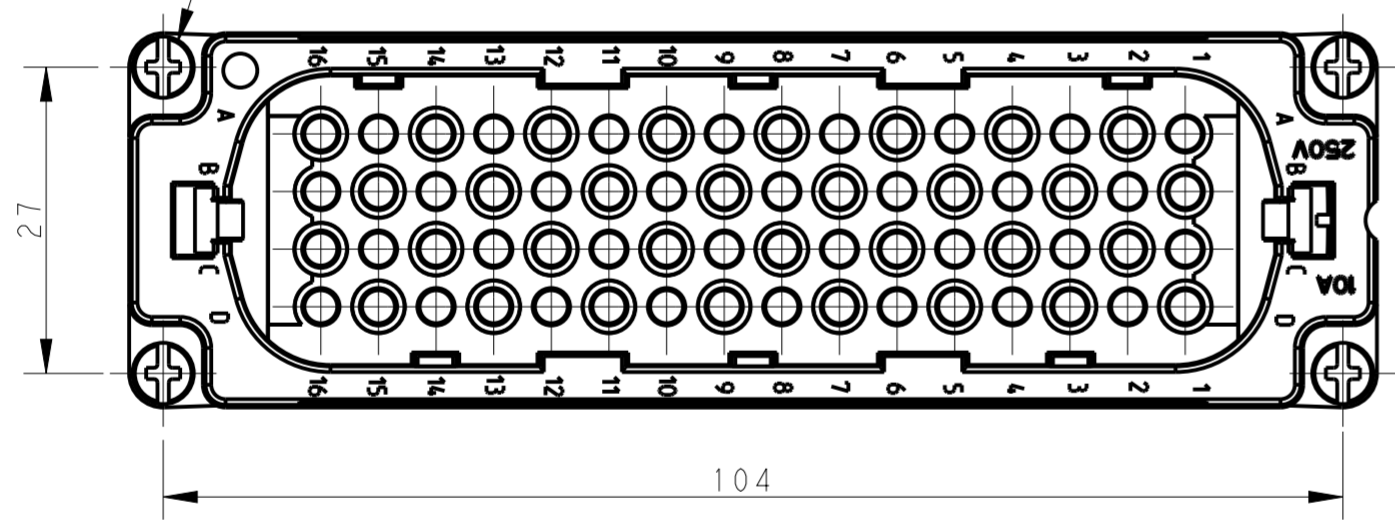
M4 SCREW RECOMMENDED  
TIGHTENING TORQUE 1.2Nm  
M4螺丝, 推荐锁紧力矩1.2Nm



NOTES:  
1. TECHNICAL CHARACTERISTICS:  
INSULATION MATERIAL: PC  
RATED VOLTAGE: 250V  
RATED CURRENT: 10A  
INSULATION RESISTANCE: >=400MΩ  
RATED IMPULSE VOLTAGE: 4KV  
POLLUTION DEGREE: 3  
MATING CYCLES: 500 CYCLES  
TEMPERATURE RANGE: -40~+125°C  
WIRE RANGE: 0.14mm<sup>2</sup>~2.5mm<sup>2</sup> (AWG26-AWG14)  
2. CONTACT NEED TO BE ORDERED SEPARATELY.

注释:  
1. 技术参数:  
绝缘材料: PC  
额定电压: 250V  
额定电流: 10A  
绝缘电阻: >=400MΩ  
脉冲电压: 4KV  
污染等级: 3  
插拔次数: 500 次  
温度范围: -40~+125°C  
接线范围: 0.14mm<sup>2</sup>~2.5mm<sup>2</sup> (AWG26-AWG14)  
2. 端子需要单独订购.

4X M3 SCREW  
RECOMMENDED TIGHTENING TORQUE 0.5Nm  
4X M3 螺丝, 推荐锁紧力矩0.5Nm



PANEL CUT FOR INSERTS FOR USE  
WITHOUT HOODS/ HOUSINGS  
不使用防护外壳时芯件的安装开孔图

2-1103032-3	HD.64.Sti.C	HD-064 MALE INSERT FOR STAMPED CONTACT TYPE HD-064 公插, 卷皮针型 (HTS)
PART NUMBER 料号	PART DESCRIPTION 描述	

THIS DRAWING IS A CONTROLLED DOCUMENT.		DWN QIANG YUAN 08 JAN 2020	TE Connectivity													
DIMENSIONS: mm		CHK JAN BREDOV 08 JAN 2020														
TOLERANCES UNLESS OTHERWISE SPECIFIED:		APVD MARCIN KOMAR 08 JAN 2020														
<table border="1"> <tr><td>0 PLC</td><td>±</td></tr> <tr><td>1 PLC</td><td>±</td></tr> <tr><td>2 PLC</td><td>±</td></tr> <tr><td>3 PLC</td><td>±</td></tr> <tr><td>4 PLC</td><td>±</td></tr> <tr><td>ANGLES</td><td>±</td></tr> <tr><td>FINISH</td><td>-</td></tr> </table>		0 PLC		±	1 PLC	±	2 PLC	±	3 PLC	±	4 PLC	±	ANGLES	±	FINISH	-
0 PLC	±															
1 PLC	±															
2 PLC	±															
3 PLC	±															
4 PLC	±															
ANGLES	±															
FINISH	-															
MATERIAL -		SCALE 3:2	SHEET 1 OF 1  RESTRICTED TO -  REV D1													