



REED SWITCH DEVELOPMENTS CORP.

2524 Norwood Court
Racine, WI 53403
Ph: (262)883-9060

sales@reedswitchdevelopments.com

SPECIFICATION SHEET

2602-1166-400

Alternate Part Number:
AM2602-1166-10K01

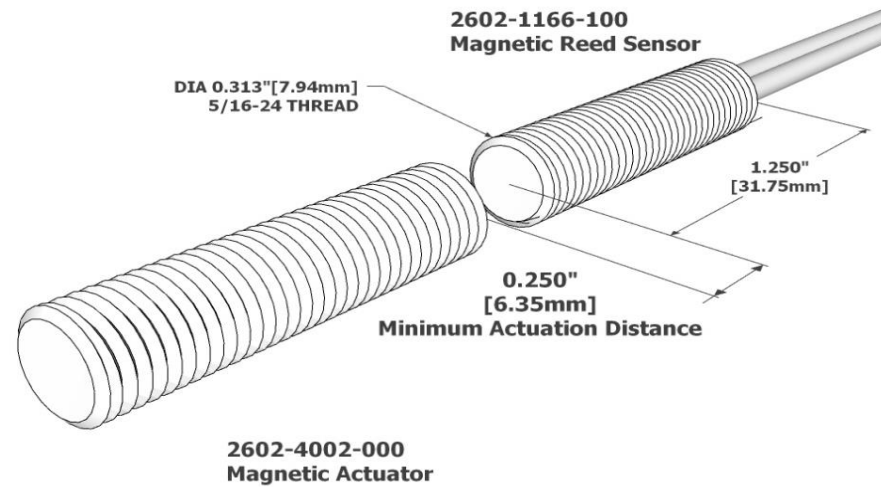
Active / Equivalent Part Numbers:

- 2602-1166-400 - KIT - Contains
 (1) 2602-1166-100 - Magnetic Reed Sensor
 (1) 2602-4002-000 - Magnetic Actuator
 AM2602-1166-10K01 - KIT - Contains
 (1) AM2602-1166-10-01 - Magnetic Reed Sensor
 (1) AM2602-4002-00-01 - Magnetic Actuator

Sensor (Reed) - Specifications 1166

| Physical | | Operating | | Electrical | |
|-----------------------------|-----------|------------------------------------|------------------|------------|--|
| Configuration | SPST | DC Contact Rating | 20 | W | |
| Form | A | AC Contact Rating | N/A | VA | |
| Contact Position | CENTER | DC Switching Voltage | 200 | VDC | |
| Glass L | 10.5 | AC Switching Voltage | 140 | VAC | |
| Glass D | 2.2 | DC Switching Current | 1.00 | A | |
| Total L* | 34.5 | AC Switching Current | 1.00 | A | |
| Wire D | N/A | DC Max Carry Current | 1.25 | A | |
| Gap Location | CENTER | AC Max Carry Current | 1.25 | A | |
| Mount Spec* | N/A | Min Breakdown Voltage | 220 | VDC | |
| Contact Material | N/A | Max Initial Contact Resistance | 150 | mOhm | |
| Max Vibration Resistance | 20 | Typical Initial Contact Resistance | N/A | mOhm | |
| Max Shock Resistance (11ms) | 50 | Max Contact Capacitance | 0.30 | pF | |
| Lead Tensile Strength | N/A | Min Insulation Resistance | 10 ¹² | Ohm | |
| Pull in (+/- 2AT)* | 15-20 | | | | |
| Drop out* | N/A | | | | |
| Operate Time | 0.5 | | | | |
| Bounce Time | INCL | | | | |
| Release Time | 0.1 | | | | |
| Resonant Frequency | N/A | | | | |
| Max Operating Frequency | N/A | | | | |
| Operating Temperature Range | -40 - 130 | | | | |
| Storage Temperature | -55 - 130 | | | | |

* Pre-processed, bare reed element



All measurements are in Inches [millimeters]

Sensor - Wire/Cable Characteristics (cont.)

| Type | Wire |
|---------------------|--------------|
| Conductor Count | 2 |
| Length | 6.0"/152.4mm |
| Colors | BLK |
| Insulation Material | PVC |
| Gauge | 24 AWG |
| Stranded Copper | 7 STR-TC |
| Maximum Temp | 105°C |

Housing Characteristics 2602

| Cylindrical Threaded (5/16-24) | |
|--------------------------------|-----------------|
| Length / Thickness | 1.125"/28.58mm |
| Diameter | 0.313"/7.95mm |
| Material | Stainless Steel |

Standard Actuator: 2602-4002-000

| Specifications | Description | UM |
|--|----------------|--------|
| Magnetic Orientation | Through Length | |
| Max Operating Temp. | 975/525 | °F/°C |
| Curie Temp. | 1580/860 | °F/°C |
| BR max | 12.8 | kGauss |
| BH max | 5.5 | MGOe |
| Coercive Force Hc | 640 | kOe |
| Intrinsic Coercive Force Hci | 640 | kOe |
| Standard Sensor/Actuator - Min. Actuation Distance | | |
| 2602-4002-000 | .25"/6.4mm | |
| Assembly Certifications | | |
| UL Recognized (File #: E102207) | Y | |
| RoHS / Reach Compliant | Y | |
| Conflict Free Material | Y | |

REV DATE: 10/06/2021

DISCLAIMER NOTICE: INFORMATION FURNISHED IS PROPRIETARY, AND IS BELIEVED TO BE ACCURATE AND RELIABLE, AND IS SUBJECT TO CHANGE WITHOUT NOTICE. IT SHALL BE THE RESPONSIBILITY OF THE BUYER TO ENSURE THAT THE GOODS ARE SUFFICIENT AND SUITABLE FOR THE PURPOSE OR PURPOSES INTENDED (WHETHER BY THE BUYER OR BY ANY THIRD PARTY) AND THAT THEIR CAPACITY AND PERFORMANCE IS NOT ADVERSELY AFFECTED BY ANY ITEMS USED IN THEIR INSTALLATION (WHERE RELEVANT) AND/OR IN CONNECTION WITH THEM.

WBE Certified - State of Wisconsin - MFR CAGE CODE: 32604

www.reedswitchdevelopments.com