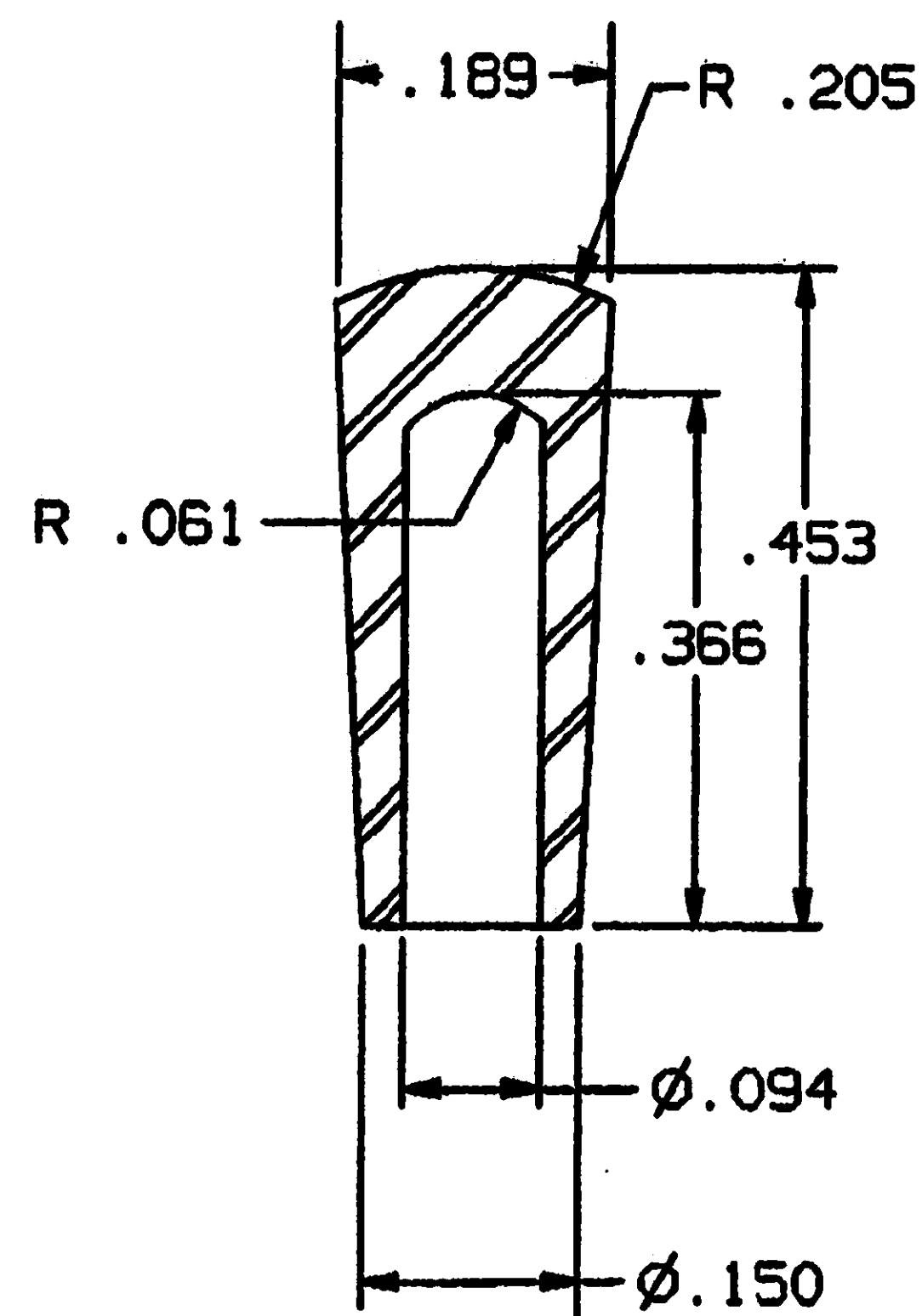


| | | | | |
|--------|---------------|-------------|--------|------|
| REV. 0 | INIT. RELEASE | ESRF AS251 | REV. | REV. |
| | APP'D | <i>Will</i> | 5/4/94 | |

CONVERSION CHART

| INCH | MM |
|------|------|
| .061 | 1.55 |
| .094 | 2.4 |
| .150 | 3.8 |
| .189 | 4.8 |
| .205 | 5.2 |
| .366 | 9.3 |
| .453 | 11.5 |

| PART NO. | COLOR |
|----------|--------|
| C-17-0 | BLACK |
| C-17-2 | RED |
| C-17-3 | ORANGE |
| C-17-4 | YELLOW |
| C-17-5 | GREEN |
| C-17-6 | BLUE |
| C-17-8 | GRAY |
| C-17-9 | WHITE |
| C-17-12 | PINK |



AUGAT CONFIDENTIAL

THIS DOCUMENT CONTAINS INFORMATION WHICH IS THE EXCLUSIVE PROPERTY OF AUGAT INC. DISTRIBUTION, REPRODUCTION OR USE BY OTHERS IS NOT PERMITTED WITHOUT THE EXPRESSED WRITTEN CONSENT OF AUGAT INC.

THIS IS A C.A.D. GENERATED DRAWING. DO NOT MAKE MANUAL REVISIONS TO MASTER.

UNLESS OTHERWISE SPECIFIED DIMENSIONS ARE IN INCHES DO NOT SCALE PRINT THIRD ANGLE PROJECTION TOLERANCES (EXCEPT AS NOTED): ANGULAR $\pm 1^\circ$ DECIMAL: .XX = $\pm .01$.XXX = $\pm .002$.XXXX = $\pm .0005$

| | | | |
|------------------------------|--------------------------|---|---|
| FILE NAME: 81083 | DIRECTORY: STOPPER | AUGAT 482 JOHN DIETSCH BLVD. ATTLEBORO FALLS, MASS. 02763 INC. | |
| MATERIAL: VINYL PLASTISOL | DRAWN: TRU-D | DATE: 5/4/94 | TITLE: CAP (C-17) (USED FOR TT TOGGLES) |
| FINISH: | CHECKED: <i>Will</i> | DATE: 5/4/94 | DWG. NO. 81083 |
| DISTRIBUTION | APPROVED: <i>Will</i> | DATE: 5/4/94 | REV. 0 |
| | COD. IDENT. NO. 91506 | DWG. SIZE A | PRODUCT CODE: X12 |
| NEXT ASSY: | | SCALE: 5:1 | SHEET 1 OF 1 |